



# INSTALLATION MANUAL

## Luxuria™ Series (LVX38-1 illustrated)

### SAFETY INFORMATION

#### ⚠ WARNING

##### FIRE OR EXPLOSION HAZARD

Failure to follow safety warnings exactly could result in serious injury, death, or property damage.

- Do not store or use gasoline or other flammable vapors and liquids in the vicinity of this or any other appliance.

##### - WHAT TO DO IF YOU SMELL GAS:

- Do not try to light any appliance.
- Do not touch any electrical switch; do not use any phone in your building.
- Immediately call your gas supplier from a neighbour's phone. Follow the gas supplier's instructions.
- If you cannot reach your gas supplier, call the fire department.

- Installation and service must be performed by a qualified installer, service agency, or the supplier.

This appliance may be installed in an aftermarket, permanently located, manufactured home (USA only) or mobile home, where not prohibited by local codes.

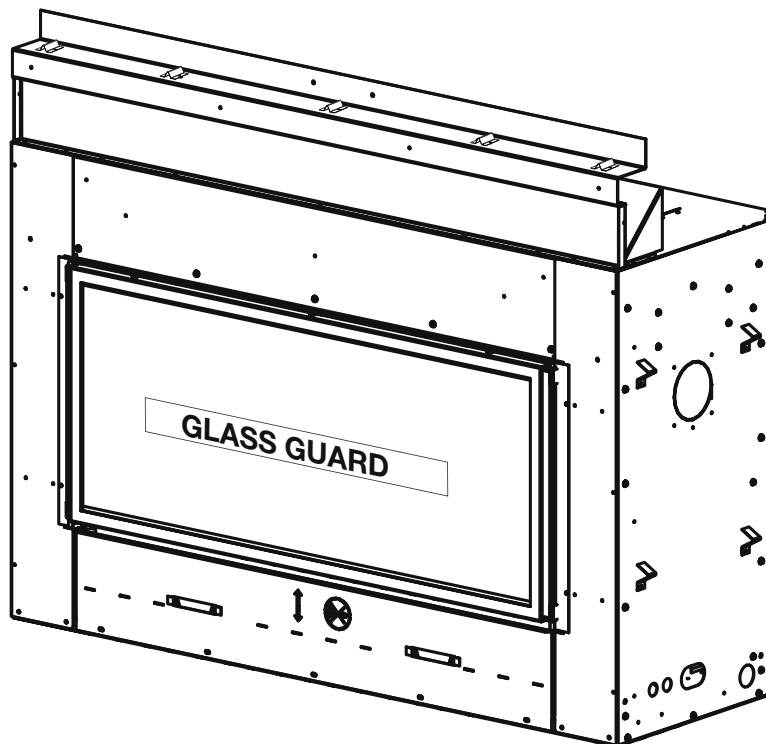
This appliance is only for use with the type of gas indicated on the rating plate. This appliance is not convertible for use with other gases, unless a certified kit is used.

#### INSTALLER:

Leave this manual with the appliance

#### CONSUMER:

Retain this manual for future reference



THIS APPLIANCE IS INSTALLED WITH



**FOR INDOOR USE ONLY**

CERTIFIED TO THE CANADIAN AND AMERICAN NATIONAL STANDARDS:  
CSA 2.22 AND ANSI Z21.50 FOR VENTED DECORATIVE GAS APPLIANCES



**PLACE BARCODE LABEL ON THE OWNER'S MANUAL**

Wolf Steel Ltd., 24 Napoleon Rd., Barrie, ON, L4M 0G8 Canada / 103 Miller Drive, Crittenden, Kentucky, USA, 41030  
Phone 1 (866) 820-8686 • www.napoleon.com • hearth@napoleon.com

## safety information

### WARNING

- **This appliance is hot when operated and can cause severe burns if contacted.**
- **Any changes or alterations to this appliance or its controls can be dangerous and is prohibited.**
- Do not operate appliance before reading and understanding operating instructions. Failure to operate appliance according to operating instructions could cause fire or injury.
- Ensure the glass door is opened or removed when lighting the pilot for the first time and when the gas supply has run out.
- Risk of fire or asphyxiation, do not operate appliance with fixed glass removed and never obstruct the front opening of the appliance.
- Do not connect 110 volts to the control valve, with the exception of models; GSST8 and GT8.
- Risk of burns. The appliance should be turned off and cooled before servicing.
- Do not install damaged, incomplete or substitute components.
- Risk of cuts and abrasions. Wear protective gloves, protective footwear, and safety glasses during installation. Sheet metal edges may be sharp.
- Do not burn wood or other materials in this appliance.
- Provide adequate ventilation and combustion air. Provide adequate accessibility clearance for servicing and operating the appliance.
- High pressure will damage valve. Disconnect gas supply piping before pressure testing gas line at test pressures above 1/2 psig. Close the manual shut-off valve before pressure testing gas line at test pressures equal to or less than 1/2 psig (35mb).
- The appliance must not be operated at temperatures below freezing (32°F / 0°C). Allow the appliance to warm to above freezing prior to operation, with the exception of models; GSS36, GSS42; these appliances are suitable for 0°F / -18°C.
- **Children and adults should be alerted to hazards of high surface temperature and should stay away to avoid burns or clothing ignition.**
- **Young children should be carefully supervised when they are in the same room as the appliance. Toddlers, young children and others may be susceptible to accidental contact burns. A physical barrier is recommended if there are at risk individuals in the house. To restrict access to an appliance or stove, install an adjustable safety gate to keep toddlers, young children and other at risk individuals out of the room and away from hot surfaces.**
- **Clothing or other flammable material should not be placed on or near the appliance.**
- **Due to high temperatures, the appliance should be located out of traffic and away from furniture and draperies.**
- Furniture or other objects must be kept a minimum of 4 feet (1.22m) away from the front of the appliance.
- Ensure you have incorporated adequate safety measure to protect infants/toddlers from touching hot surfaces.
- Even after the appliance is off, it will remain hot for an extended period of time.
- Check with your local hearth specialty dealer for safety screens and hearth guards to protect children from hot surfaces. These screens and guards must be fastened to the floor.
- **Any safety screen, guard or barrier removed for servicing the appliance, must be replaced prior to operating the appliance.**
- It is imperative that the control compartments, burners and circulating blower and its passageway in the appliance and venting system are kept clean. The appliance and its venting system should be inspected before use and at least annually by a qualified service person. More frequent cleaning may be required due to excessive lint from carpeting, bedding material, etc. The appliance area must be kept clear and free from combustible materials, gasoline and other flammable vapors and liquids.
- If the appliance shuts off, do not re-light until you provide fresh air. If appliance keeps shutting off, have it serviced. Keep burner and control compartment clean.
- Under no circumstances should this appliance be modified.
- Do not allow wind or fans to blow directly into the appliance. Avoid any drafts that alter burner flame patterns.



# DANGER



**HOT GLASS WILL CAUSE BURNS.**

**DO NOT TOUCH GLASS UNTIL COOLED.**

**NEVER ALLOW CHILDREN TO TOUCH GLASS.**

A barrier designed to reduce the risk of burns from the hot viewing glass is provided with this appliance and shall be installed for the protection of children and other at-risk individuals.

**! WARNING**


- Do not use a blower insert, heat exchanger insert or other accessory not approved for use with this appliance.
- This appliance must not be connected to a chimney flue pipe serving a separate solid fuel burning appliance.
- Do not use this appliance if any part has been under water. Immediately call a qualified service technician to inspect the appliance and to replace any part of the control system and any gas control which has been under water.
- Do not operate the appliance with the glass door removed, cracked or broken. Replacement of the glass should be done by a licensed or qualified service person, if equipped.
- Do not strike or slam shut the appliance glass door, if equipped.
- **Only doors / optional fronts certified with the appliance are to be installed on the appliance.**
- Keep the packaging material out of reach of children and dispose of the material in a safe manner. As with all plastic bags, these are not toys and should be kept away from children and infants.
- Carbon or soot should not occur in a vent free appliance as it can distribute into the living area of your home. If you notice any signs of carbon or soot, immediately turn off your appliance and arrange to have it serviced by a qualified technician before operating it again.
- If equipped, the screen must be in place (closed) when the appliance is in operation.
- When equipped with pressure relief doors, they must be kept closed while the appliance is operating to prevent exhaust fumes containing carbon monoxide, from entering into the home. Temperatures of the exhaust escaping through these openings can also cause the surrounding combustible materials to overheat and catch fire.
- Carbon monoxide poisoning may lead to death; early signs of carbon monoxide poisoning resemble the flu, with headache, dizziness and/or nausea. If you have these signs, the appliance may not be working properly. Get fresh air at once! Have appliance serviced. Some people; pregnant women, persons with heart or lung disease, anemia, those under the influence of alcohol, those at high altitudes are more affected by carbon monoxide than others. Failure to keep the primary air opening(s) of the burner(s) clean may result in sooting and property damage.
- As with any combustion appliance, we recommend having your appliance regularly inspected and serviced as well as having a Carbon Monoxide Detector installed in the same area to defend you and your family against Carbon Monoxide (not applicable for outdoor appliances).
- Ensure clearances to combustibles are maintained when building a mantel or shelves above the appliance. Elevated temperatures on the wall or in the air above the appliance can cause melting, discolouration or damage to decorations, a TV or other electronic components.
- **For appliances equipped with a safety barrier; if the barrier becomes damaged, the barrier shall be replaced with the manufacturer's barrier for this appliance.**
- **Installation and repair should be done by a qualified service person. It is imperative that control compartments, burners and circulating air passageways of the appliance be kept clean.**
- For outdoor products only: this appliance must not be installed indoors or within any structure that prevents or inhibits the exhaust gases from dissipating in the outside atmosphere.
- If applicable, the millivolt version of this appliance uses and requires a fast acting thermocouple. Replace only with a fast acting thermocouple supplied by Wolf Steel Ltd.

**! WARNING:** This product can expose you to chemicals including lead and lead compounds, which are known to the State of California to cause cancer, and chemicals including carbon monoxide, which are known to the State of California to cause birth defects or other reproductive harm. For more information, go to [www.P65Warnings.ca.gov](http://www.P65Warnings.ca.gov).

**! WARNING !**

**FIRE RISK HAZARD / DELAYED IGNITION**

High supply pressure will damage the valve / controls.



Disconnect the appliance main gas valve/control from the supply piping when pressure testing that system at pressures in excess of 1/2 psi (3.5 kPa).

Isolate the appliance with it's shut off valve during any pressure testing of the supply piping at pressures equal to or less than 1/2 psi (3.5 kPa).

# table of contents

<b>1.0</b>	<b>general information</b>	<b>5</b>	<b>7.0</b>	<b>electrical information</b>	<b>44</b>
1.1	rates and efficiencies	6	7.1	hard wiring connection	44
1.2	installation overview	7	7.2	receptacle wiring diagram	44
1.3	Dynamic Heat Control™	8	7.3	in the event of a power failure	44
1.4	rating plate/lighting instruction location	10	7.4	battery holder/switch installation	45
1.5	mobile home installation	11	7.5	initializing the battery holder/switch for the first time	45
1.6	hardware list	11	7.6	wiring diagram	46
1.7	lifting handles installation/removal	11	7.7	eFire controller application	46
<b>2.0</b>	<b>dimensions</b>	<b>12</b>	7.7.1	LVX38-1/ LVX50-1 wiring diagram	47
2.1	single-sided	12	7.7.2	LVX62-1/ LVX74-1 wiring diagram	48
2.2	see-thru	13	7.8	access panel	49
<b>3.0</b>	<b>minimum venting requirements</b>	<b>14</b>	<b>8.0</b>	<b>gas installation</b>	<b>50</b>
3.1	typical venting installation	16	<b>9.0</b>	<b>operation</b>	<b>51</b>
3.2	minimum air terminal location clearances	18	9.1	pilot-on-demand	52
3.3	horizontal termination	19	<b>10.0</b>	<b>nailing tab installation</b>	<b>53</b>
3.4	vertical termination	22	<b>11.0</b>	<b>finish framing - after appliance installation</b>	<b>54</b>
3.5	LVX38-1 venting configurations	23	11.1	framing with Dynamic Heat Control™	54
3.6	LVX50-1 / LVX62-1 venting configurations	24	<b>12.0</b>	<b>finishing</b>	<b>58</b>
3.7	LVX74-1 venting configurations	25	12.1	fastener placement restriction	58
<b>4.0</b>	<b>installation planning</b>	<b>26</b>	12.2	enclosure design	59
4.1	installation option 1 - open enclosure (enclosure stops short of the ceiling)	28	12.3	finishing with combustibles	60
4.2	installation option 2 - front opening	29	12.4	minimum combustible mantel clearances	62
4.3	installation option 3 - Rear Opening	30	12.5	optional trim finishing	63
4.4	installation option 4 - open enclosure with hard combustible valance	31	12.6	glass guard installation / removal	64
<b>5.0</b>	<b>rough framing - before appliance installation</b>	<b>32</b>	12.7	firebox glass door installation / removal	73
5.1	minimum framing dimensions	33	12.8	media tray removal	74
5.1.1	minimum clearance to combustible enclosures	34	12.9	media installation / removal	75
<b>6.0</b>	<b>venting installation</b>	<b>37</b>	<b>13.0</b>	<b>adjustments</b>	<b>76</b>
6.1	firestop spacer assembly	37	13.1	restricting vertical vents	76
6.2	horizontal installation	39	13.2	venturi adjustment	76
6.3	vertical installation	39	13.3	pilot burner adjustment	77
6.4	using flexible vent components	40	13.4	flame characteristics	77
6.4.1	horizontal air terminal installation	40	<b>14.0</b>	<b>maintenance</b>	<b>78</b>
6.5	vertical air terminal installation	41	14.1	annual maintenance	79
6.5.1	appliance vent connection	41	14.2	control access	79
6.6	restricting vertical vents	42	14.3	burner removal	80
6.6.1	LVX38-1 / LVX50-1	42	14.4	valve removal	80
6.6.2	LVX62-1 / LVX74-1	42	14.5	control module removal	81
6.7	vent shield installation	43	14.6	LED replacement	82
			14.7	glass / door replacement	83
			14.8	care of glass	83
			14.9	care of plated parts	83
			<b>15.0</b>	<b>replacement parts</b>	<b>84</b>
			15.1	overview	85
			15.2	burner components	86
			<b>16.0</b>	<b>troubleshooting</b>	<b>88</b>
			<b>17.0</b>	<b>warranty</b>	<b>91</b>

## note:

The information throughout this manual is believed to be correct at the time of printing. Wolf Steel Ltd. reserves the right to change or modify any information within this manual at any time without notice. Changes, other than editorial are denoted by a vertical line in the margin.



# Installer: please fill out appliance checklist in the owner's manual.

## 1.0 general information

When the appliance is installed at elevations above 4,500ft (1372m), and in the absence of specific recommendations from the local authority having jurisdiction, the certified high altitude input rating shall be reduced at the rate of 4% for each additional 1,000ft (305m). Expansion / contraction noises during heating up and cooling down cycles are normal and are to be expected. Change in flame appearance from "HI" to "LO" is more evident in natural gas than in propane.

This appliance is approved for bathroom, bedroom and bed-sitting room installations and is certified for mobile home installation.

**This appliance is only for use with the type of gas indicated on the rating plate. This appliance is not convertible for use with other gases, unless a certified kit is used.**

There is a switch that controls the function of the appliance. The battery holder/switch must be placed in the middle position. If the switch is not placed in the middle position, the appliance will not work.

**note:**

**A glass guard assembly designed to reduce the risk of burns is provided with the appliance and must be installed. Never operate the appliance without the complete Glass Guard Barrier System installed and closed.**

The protective wrap on plated parts is best removed when the assembly is at room temperature but this can be improved if the assembly is warmed, using a hair dryer or similar heat source. The protective wrap must be removed before operating the appliance.

**This appliance is a decorative product. It is not a source of heat and not intended to burn solid fuel.**

This appliance is equipped with a remote control and a wall switch, which requires batteries to be installed. The remote takes 3 "AAA" batteries and the wall switch takes 4 "AA" batteries.



Batteries must be disposed of according to the local laws and regulations. Some batteries may be recycled, and may be accepted for disposal at your local recycling center. Check with your municipality for recycling instructions.

**important:**

Some components and/or media are packaged separately and must be installed in accordance with the information in this manual.

# general information

## 1.1 rates and efficiencies

LVX38-1	Single-Sided		See-thru	
	Appliance Type	LVX38N-1	LVX38P-1	LVX38N2-1
Fuel Type	Natural Gas	Propane	Natural Gas	Propane
Altitude (FT)	0-4,500			
Max. Input (BTU/HR)	31,000	26,500	31,000	26,500
Min. Input (BTU/HR)	22,000			

LVX50-1	Single-Sided		See-thru	
	Appliance Type	LVX50N-1	LVX50P-1	LVX50N2-1
Fuel Type	Natural Gas	Propane	Natural Gas	Propane
Altitude (FT)	0-4,500			
Max. Input (BTU/HR)	38,000	31,500	38,000	31,500
Min. Input (BTU/HR)	26,000	25,000	26,000	25,000

LVX62-1	Single-Sided		See-thru	
	Appliance Type	LVX62N-1	LVX62P-1	LVX62N2-1
Fuel Type	Natural Gas	Propane	Natural Gas	Propane
Altitude (FT)	0-4,500			
Max. Input (BTU/HR)	44,000	35,000	44,000	35,000
Min. Input (BTU/HR)	32,000	28,000	32,000	28,000

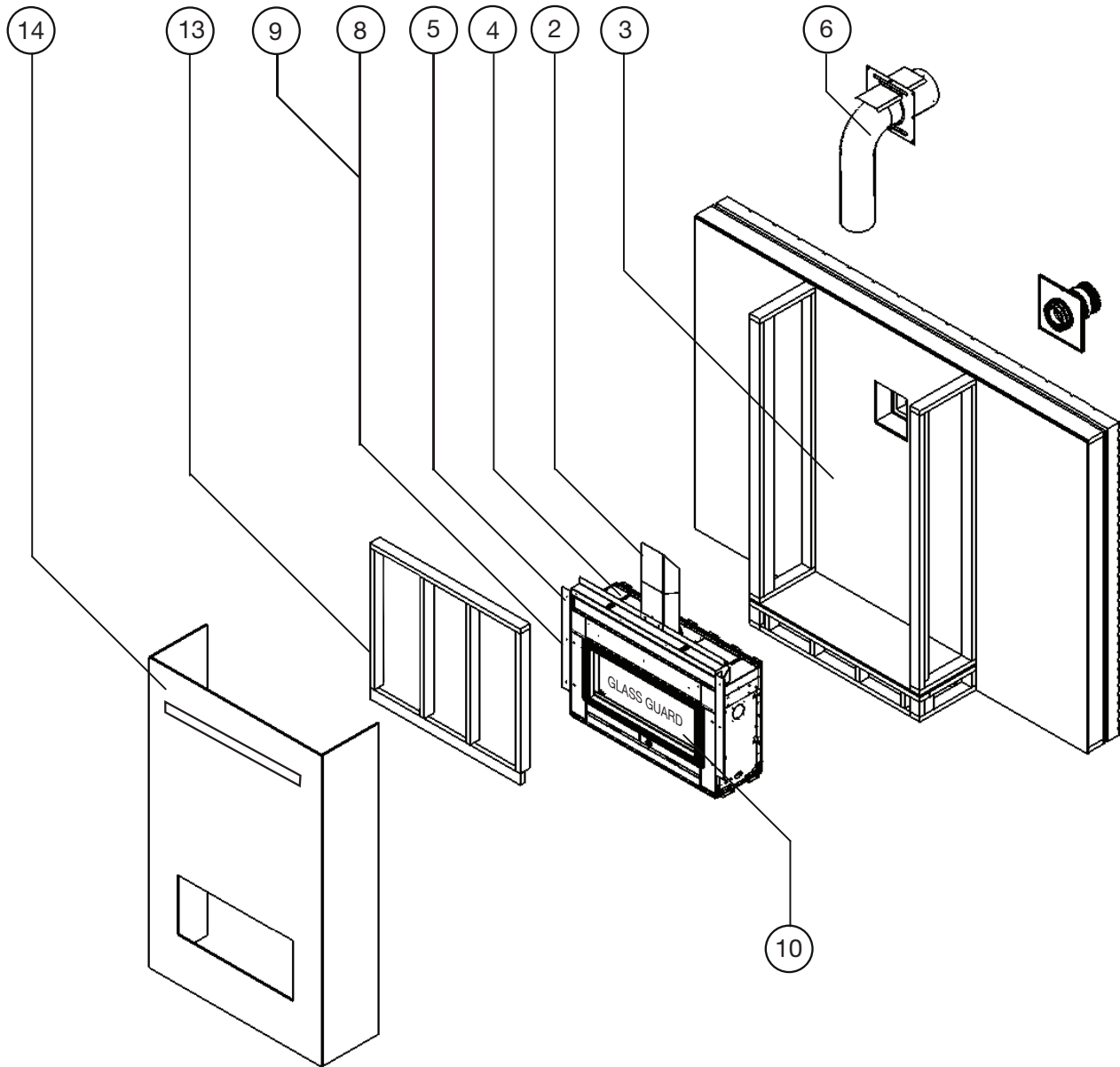
LVX74-1	Single-Sided		See-thru	
	Appliance Type	LVX74N-1	LVX74P-1	LVX74N2-1
Fuel Type	Natural Gas	Propane	Natural Gas	Propane
Altitude (FT)	0-4,500			
Max. Input (BTU/HR)	50,000	41,500	50,000	41,500
Min. Input (BTU/HR)	35,000	33,000	35,000	33,000

### LVX38-1 / LVX50-1 / LVX62-1 / LVX74-1

	Natural Gas		Propane	
	Min. Inlet Gas Supply Pressure	4.5" w.c. (11mb)	11" w.c. (27mb)	4.5" w.c. (11mb)
Max. Inlet Gas Supply Pressure	7"* w.c. (17mb)	13" w.c. (32mb)	13" w.c. (32mb)	13" w.c. (32mb).
Manifold Pressure (Under Flow Conditions)	3.5" w.c. (9mb)	10" w.c. (25mb)	3.5 w.c. (9mb)	10" w.c. (25mb)

\*Maximum inlet pressure not to exceed 13" w.c. (32mb).

## 1.2 installation overview



### Recommended installation steps:

1. Determine venting requirements before deciding the final location of the appliance
2. Plan out appliance enclosure, framing, fronts, accessories, etc.
3. Install rough framing (refer to “rough framing” section)
4. Place the appliance in its final position
5. Install nailing tabs (refer to “nailing tab installation” section)
6. Install appliance venting (refer to “venting installation” section)
7. Install vent shield (refer to “vent shield installation” section)
8. Install all electrical wirings (refer to “electrical information” section)
9. Install gas lines (refer to “gas installation” section)
- 10. Fit glass guard** (refer to “glass guard assembly installation / removal” section)
11. Test appliance (Glass Guard must be installed while testing the appliance)
12. Remove and protect glass guard. Take great care to store using original packaging.
13. Complete framing (refer to “finish framing” section)
14. Finishing (refer to “finishing” section)
15. If necessary, do final adjustments to glass guard.
16. Complete installation checklist in the owner’s manual and apply the serial number to owner’s manual

## general information

### 1.3 Dynamic Heat Control™



**Dynamic Heat Control™** is a system for managing the heat produced by the appliance at and around the fireplace. The purpose of the **Dynamic Heat Control™** is to move the heat away from the fireplace to allow it to circulate more effectively within the living space. By installing the **Dynamic Heat Control™** both the installer and the user gain considerable benefits, see the following;

#### PATENT PENDING

Installer:

- Ability to use combustible framing and finishing right up to the fireplace opening.\*
- High temperatures above the front of the fireplace opening are significantly reduced eliminating potential degrading to sensitive finish material (cracks or discoloration).
- No additional electricals, fans, ducts, or manifolds are required which keeps installation straightforward.

User:

- Heat is circulated more consistently throughout the living space increasing comfort in front of the fireplace.
- Increased "real world" efficiency as heat is moved in to the room rather than retained inside an enclosure.
- Complete flexibility in selection of finish materials.
- Ability to place a TV, sound bar or artwork above the fireplace.\*\*

The **Dynamic Heat Control™** system relies on an optimized flow of air both through the appliance and the enclosure. As such the installation of the **Dynamic Heat Control™** system requires certain technical considerations when compared to traditional fireplaces. Specifically, the **Dynamic Heat Control™** requires the **enclosure to be ventilated** and requires the installer to ensure that a minimum opening area is provided to allow heat to escape and circulate at a prescribed minimum height and position. This **must** be carefully adhered to in the planning and the installation to ensure the appliance functions safely and to minimize installation time.

**\*In most common installation configurations, some specific installations require special provisions. See "framing with Dynamic Heat Control™" section for details. Ensure to strictly adhere to instructions.**

**\*\* Always check the appliance manufacturer's recommendations to confirm suitability and any special environmental limitations. For valuable or antique items, always refer to expert preservation instructions as some items require specifically controlled temperature and/or humidity**

**! WARNING**

- Always light the pilot whether for the first time or if the gas supply has run out, with the glass door opened or removed.
- Provide adequate clearance for servicing and operating the appliance.
- Provide adequate ventilation.
- Never obstruct the front opening of the appliance.
- Objects placed in front of the appliance must be kept a minimum of 48" (121.9cm) from the front face of the appliance.
- Surfaces around and especially above the appliance can become hot. Avoid contact when appliance is operating.
- Fire risk. Explosion hazard.
- High pressure will damage valve. Disconnect gas supply piping before pressure testing gas line at test pressures above 1/2 PSIG. Close the manual shut-off valve before pressure testing gas line at test pressures equal to or less than 1/2 PSIG (35mb).
- Use only Wolf Steel approved optional accessories and replacement parts with this appliance using non-listed accessories (blowers, doors, louvres, trims, gas components, venting components, etc.) could result in a safety hazard and will void the warranty and certification.
- The appliance must not be operated at temperatures below freezing (32°F / 0°C). Allow the appliance to warm to above freezing prior to operation.
- This appliance has been designed and certified for indoor use only.

**THIS GAS APPLIANCE MUST BE INSTALLED AND SERVICED BY A QUALIFIED INSTALLER** to conform with local codes. Installation practices vary from region to region and it is important to know the specifics that apply to your area, for example in the state of Massachusetts:

- This product must be installed by a licensed plumber or gas fitter when installed within the commonwealth of Massachusetts.
- The appliance damper must be removed or welded in the open position prior to installation of an appliance insert or gas log.
- The appliance off valve must be a "T" handle gas cock.
- The flexible connector must not be longer than 36 inches (0.9m).
- A carbon monoxide detector is required in all rooms containing gas fired appliances.
- The appliance is not approved for installation in a bedroom or bathroom unless the unit is a direct vent sealed combustion product.

The installation must conform with local codes or, in absence of local codes, the National Gas and Propane Installation Code CSA B149.1 in Canada, or the National Fuel Gas Code, ANSI Z223.1 / NFPA 54 in the United States. Suitable for mobile home installation if installed in accordance with the current standard CAN/CSA Z240MH Series, for gas equipped mobile homes, in Canada or ANSI Z223.1 and NFPA 54 in the United States.

The appliance and its individual shutoff valve must be disconnected from the gas supply piping system during any pressure testing of that system at test pressures in excess of 1/2 psig (35 mb).

The appliance must be isolated from the gas supply piping system by closing its individual manual shutoff valve during any pressure testing of the gas supply piping system at test pressures equal to or less than 1/2 psig (35 mb). When installed with a blower or fan, the junction box must be electrically connected and grounded in accordance with local codes. In the absence of local codes, use the current CSA C22.1 Canadian Electrical Code in Canada or the ANSI / NFPA 70 National Electric Code in the United States. In the case where the blower is equipped with a power cord, it must be connected into a properly grounded receptacle. The grounding prong must not be removed from the cord plug.

The following does not apply to inserts; as long as the required clearance to combustibles is maintained, the most desirable and beneficial location for an appliance is in the center of a building, thereby allowing the most efficient use of the heat created. The location of windows, doors and, the traffic flow in the room where the appliance is to be located should be considered. If possible, you should choose a location where the vent will pass through the house without cutting a floor or roof joist. If the appliance is installed directly on carpeting, vinyl tile or other combustible material other than wood flooring, the appliance shall be installed on a metal or wood panel extending the full width and depth, unless otherwise tested.



**NATIONAL FIREPLACE INSTITUTE**  
**NFI**  
**CERTIFIED**  
[www.nficertified.org](http://www.nficertified.org)

We suggest that our gas hearth products be installed and serviced by professionals who are certified in the U.S. by the National Fireplace Institute® (NFI) as NFI Gas Specialists

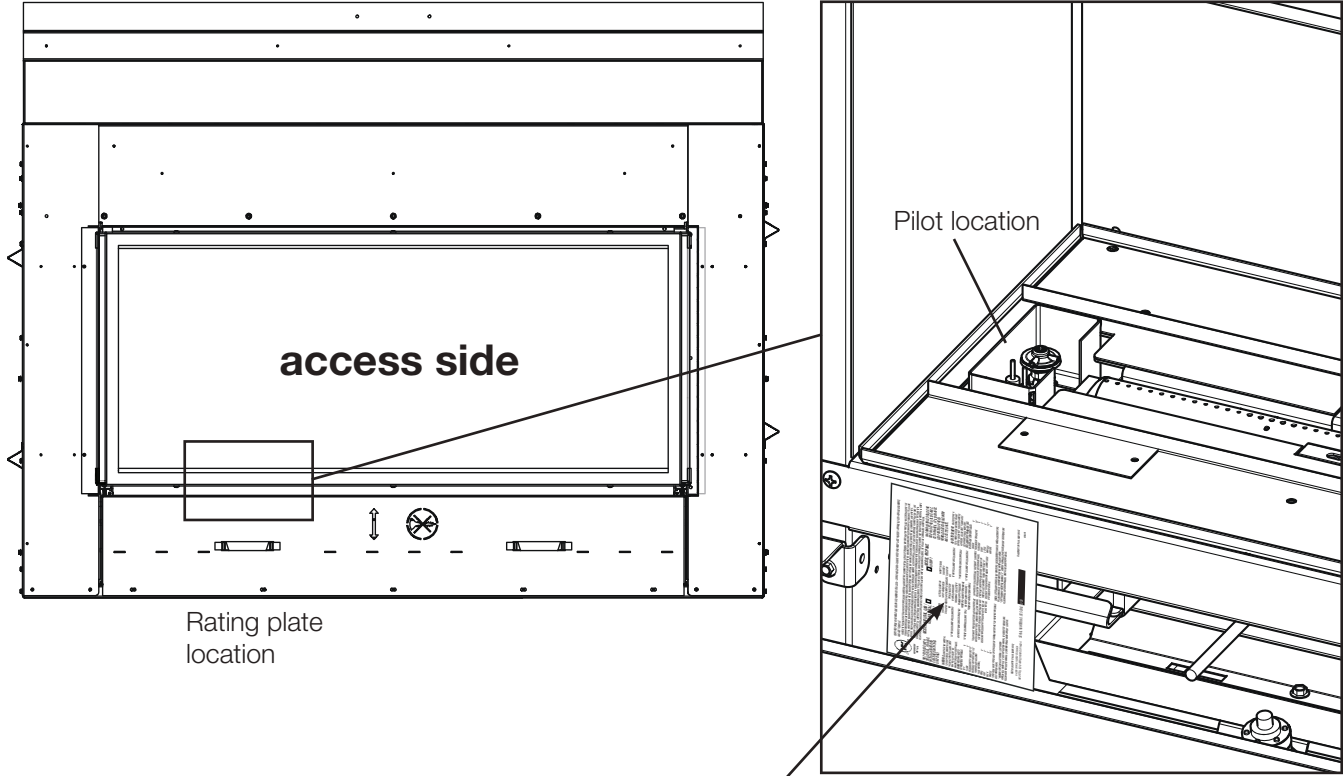


# general information

## 1.4 rating plate/lighting instruction location

Both the rating plate and lighting instructions are attached to a chain located on the left side of the control area near the valve (access side). Remove the glass guard and the control cover to gain access to the control area.

To replace, slide the instructions back into the control area and slide the glass front into its locked position.



Certified to Canadian and American National Standards: **CSA 2.22-XXXX / ANSI Z21.50-XXXX for Vented Decorative Gas Appliances**  
 Certifié selon les normes Nationales Canadiennes et Américaines: **CSA 2.22-XXXX / ANSI Z21.50-XXXX pour les Appareils à gaz décoratif à évacuation**

Direct vent, vented gas fireplaces. Approved for bedroom, bathroom and bed-sitting room installation. Suitable for mobile home installation, if installed in accordance with the current standard CAN / CSA 2240MH Series gas equipped mobile homes in Canada, or in the United States, the *Manufactured Home Construction and Safety Standard, Title 24 CFR, Part 3280*. When this US Standard is not applicable, use the Standard for Fire Safety Criteria for Manufactured Home Installations, Sites and Communities, ANSI / NFPA 501A. This appliance must be installed in accordance with local codes, if any; if none, follow the current ANSI Z223.1 or CSA B149. **For use with barrier WXXX-XXXX. Follow installation instructions.**  
 Foyer à gaz venté. Homologué pour installation dans une chambre à coucher, une salle de bain et un studio. Apprôné pour installation dans une maison mobile si son installation conforme aux exigences de la norme CAN / CSA 2240MH Série de maisons mobile équipées au gaz en vigueur au Canada, ou, aux États-Unis selon la norme 24 CFR, Part 3280, *Manufactured Home Construction and Safety Standard*. Dans le cas où cette norme d'États-Unis n'est pas pertinente, utiliser la norme NFPA 501A, *Fire Safety Criteria for Manufactured Home Installations, Sites and Communities*. Installer l'appareil selon les codes ou règlements locaux ou, en l'absence de tels règlements, selon les codes d'installation ANSI Z223.1 ou CSA B149 en vigueur. **Utiliser uniquement avec l'écran WXXX-XXXX. Suivre les instructions d'installation.**

**9700539 (WSL) 4001658 (NAC) 4001657 (NGZ) 4001659 (WUSA)**

**MODEL / MODÈLE**  
 XXXX XXXX  
 XXXX XXXX

Altitude 0-XXXXft (0-XXXXm) Élévation  
 Input XX,XXX Alimentation  
 Reduced Input XX,XXX Alimentation Réduite  
 P4 P4

Manifold Pressure: 3.5" w.c. (NG) Manifold Pressure: 10" w.c. (P)  
 Minimum Supply Pressure: 4.5" w.c. (NG) Minimum Supply Pressure: 11" w.c. (P)  
 Maximum Supply Pressure: 7" w.c. (NG) Maximum Supply Pressure: 13" w.c. (P)

Pression au Collecteur: 3,5" d'une colonne d'eau (GN) Pression au Collecteur: 10" d'une colonne d'eau (P)  
 Pression d'Alimentation Min.: 4,5" d'une colonne d'eau (GN) Pression d'Alimentation Min.: 11" d'une colonne d'eau (P)  
 Pression d'Alimentation Max.: 7" d'une colonne d'eau (GN) Pression d'Alimentation Max.: 13" d'une colonne d'eau (P)

**Minimum clearance to combustible materials:**  
 Top, sides & back: per standoff spacers for framing and finishing materials. For non-combustible framing and finishing materials, see installation manual.  
 Top "X"  
 Floor "X"  
 Sides "X"  
 Back "X"  
 Vent top "X"  
 Vent sides & bottom "X"  
 Recessed depth "X"

**Dégagements minimaux des matériaux combustibles:**  
 Dessus, côtés et arrière: selon les espacements de dégagements pour les matériaux d'ossature selon le manuel du propriétaire pour les matériaux de finition.  
 Dessus "X"  
 Plancher "X"  
 Côtés "X"  
 Arrière "X"  
 Dessus du conduit d'évent "X"  
 Côtés et dessous du conduit d'évent "X"  
 Profondeur d'encastrement une face "X"  
 \*\*\* Tablette "X" de l'ouverture de l'appareil  
 \*\*\* L'extension horizontale maximale: "X"  
 Référez au manuel d'installation pour des extensions plus grandes, les longueurs d'évacuation minimaux et maximums.

Electrical rating: 115V, 60Hz. Less than 12 amperes. Spécifications électriques: 115V, 60Hz. Moins de 12 ampères.

**WARNING:** Do not add any material to the appliance which will come in contact with the flames, other than that supplied by the manufacturer with the appliance.  
**AVERTISSEMENT:** N'ajoutez pas à cet appareil aucun matériel devant entrer en contact avec les flammes autre que celui qui est fourni avec cet appareil par le fabricant.  
 The appliance must be vented using the appropriate Napoleon vent kits. See installation manual for venting specifications. Proper reinstallation and resealing is necessary after servicing the vent-air intake system.  
 L'appareil doit être venté à l'aide de l'ensemble d'évacuation propre à Napoleon. Référez au manuel d'installation pour les spécifications d'évacuation. Il est nécessaire de bien réinstaller et resceller l'évacuation après avoir exécuté l'entretien du système de prise d'air.

**Serial Number / N° de Série: XXXX**

**WOLF STEEL LTD.** 24 Napoleon Road, Barrie, ON, L4M 0G8 Canada **W385-XXXX**

This illustration is for reference only. Refer to the rating plate on the appliance for accurate information.

**note:**

The rating plate must remain with the appliance at all times. It must not be removed.

## 1.5 mobile home installation

This appliance must be installed in accordance with the manufacturer's instructions and the Manufactured Home Construction and Safety Standard, Title 24 CFR, Part 3280, in the United States or the Mobile Home Standard, CAN/CSA Z240 MH Series, in Canada. This appliance is only for use with the type(s) of gas indicated on the rating plate.

This mobile/manufactured home listed appliance comes factory equipped with a means to secure the appliance. The shipping brackets that secure the appliance to the pallet can be used to secure the appliance to the floor for mobile home installation. For mobile home installations, the appliance must be fastened in place.

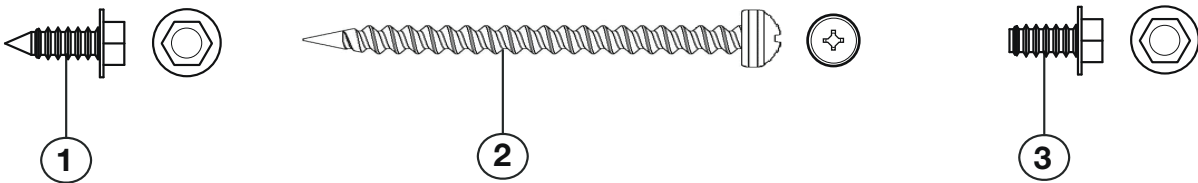
This appliance is certified to be installed in an aftermarket permanently located, manufactured (mobile) home, where not prohibited by local codes.

This appliance is only for use with the type of gas indicated on the rating plate. This appliance is not convertible for use with other gases, unless a certified kit is used.

### Conversion Kits

This appliance is field convertible between Natural Gas (NG) and Propane (P). To convert from one gas to another, consult your Authorized dealer/distributor.

## 1.6 hardware list



	Description	Quantity
1	Hex Head Sheet Metal Screw	22
2	Pan Head Sheet Metal Screw	4
3	Hex Head Sheet Metal Bolt	18

### note:

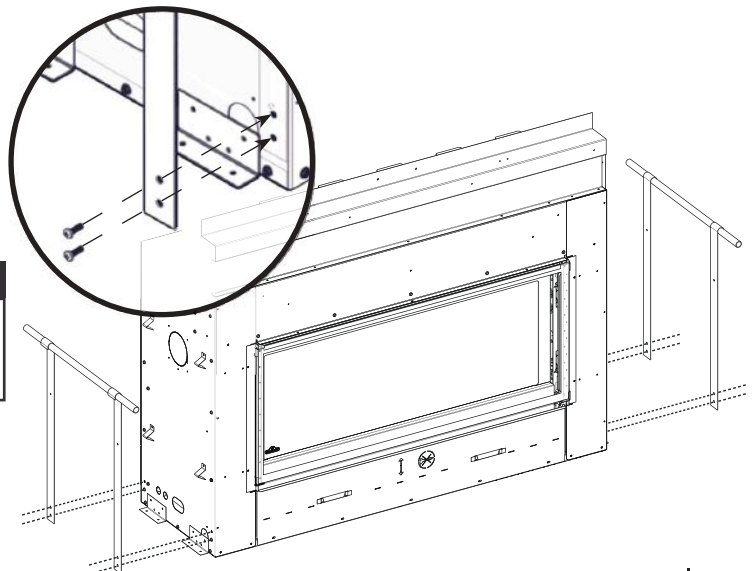
Only fasteners supplied with the appliance are illustrated.

## 1.7 lifting handles installation/removal

Remove 4 screws each side (8 total) then install the lifting handles to the side of the appliance and secure using 4 screws each side (8 total). Once the appliance is in place remove the four screws from each handle to the appliance. Discard the lifting handles.

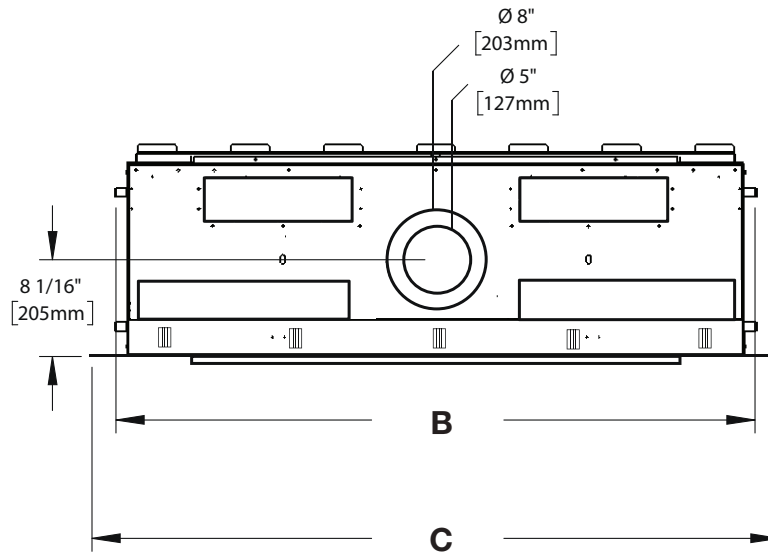
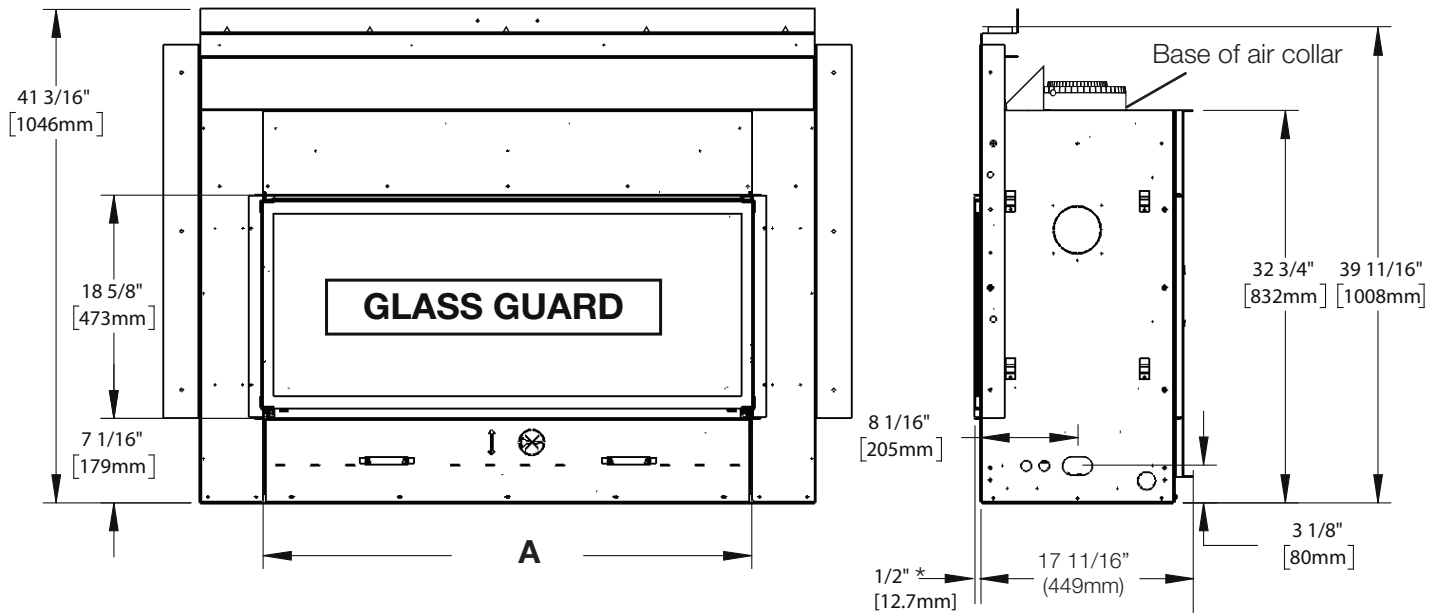
### note:

The lifting handles **MUST** be removed prior to rough framing the appliance.



## 2.0 dimensions

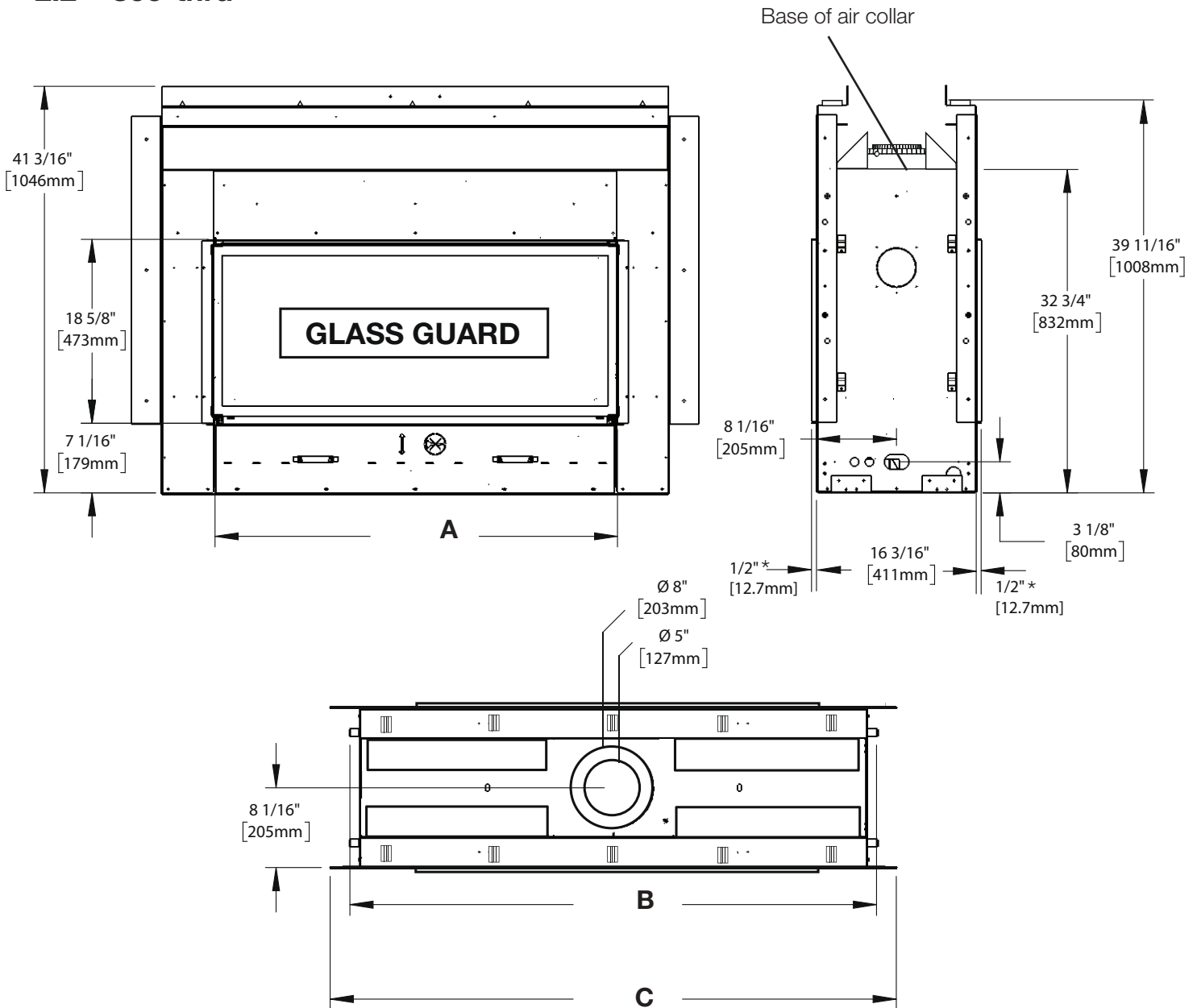
### 2.1 single-sided



	LVX38-1	LVX50-1	LVX62-1	LVX74-1
<b>A</b> <b>(Finishing Flange)</b>	42 1/8" (1070mm)	54 1/8" (1375mm)	66 1/8" (1680mm)	78 1/8" (1984mm)
<b>B</b>	53 5/16" (1354mm)	65 5/16" (1659mm)	77 5/16" (1964mm)	89 5/16" (2269mm)
<b>C</b>	57 5/16" (1456mm)	69 5/16" (1761mm)	81 5/16" (2065mm)	93 5/16" (2370mm)

\*Finishing flange depth (the finishing flange defines the perimeter of the fireplace opening. Framing or finishing materials must NEVER encroach inside the finishing flange).

2.2 see-thru



	LVX38-1	LVX50-1	LVX62-1	LVX74-1
<b>A</b> <b>(Finishing Flange)</b>	42 1/8" (1070mm)	54 1/8" (1375mm)	66 1/8" (1680mm)	78 1/8" (1984mm)
<b>B</b>	53 5/16" (1354mm)	65 5/16" (1659mm)	77 5/16" (1964mm)	89 5/16" (2269mm)
<b>C</b>	57 5/16" (1456mm)	69 5/16" (1761mm)	81 5/16" (2065mm)	93 5/16" (2370mm)

\*Finishing flange depth (the finishing flange defines the perimeter of the fireplace opening. Framing or finishing materials must NEVER encroach inside the finishing flange).

## 3.0 minimum venting requirements

### WARNING

- Risk of fire. Maintain specified air space clearances to vent pipe and appliance.
- The vent system must be supported every 3'(0.9m) for both vertical and horizontal runs. Use support ring assembly W010-0067 or equivalent non-combustible strapping to maintain the minimum clearance to combustibles for both vertical and horizontal runs. Spacers are attached to the inner pipe at predetermined intervals to maintain an even air gap to the outer pipe. This gap is required for safe operation. A spacer is required at the start, middle, and end of each elbow to ensure this gap is maintained. These spaces must not be removed.

**This appliance uses a 5" (127mm) exhaust / 8" (203.2mm) air intake vent pipe system. Refer to the section applicable to your installation.**

For safe and proper operation of the appliance follow the venting instructions exactly. Deviation from the minimum vertical vent length can create difficulty in burner start-up and/or carboning. Under extreme vent configurations, allow several minutes (5-15) for the flame to stabilize after ignition. Although not a requirement, it is recommended for vent lengths that pass through unheated spaces (attics, garages, crawl spaces) be insulated with the insulation wrapped in a protective sleeve to minimize condensation.

Provide a means for visually checking the vent connection to the appliance after the appliance is installed.

Use a firestop, vent pipe shield or attic insulation shield when penetrating interior walls, floor or ceiling.

The vent terminal may be painted with high temperature paint to match exterior colours. Use an outdoor paint suitable for 400°F (200°C). Application and performance of paint is the consumer's responsibility. Spot testing is recommended. Appliance should be off.

#### **note:**

If for any reason the vent air intake system is disassembled; reinstall per the instructions provided for the initial installation.

This appliance must be installed with a continuous connection of exhaust and air intake vent pipes. Utilizing alternate constructions, such as a chimney as part of the vent system, is not permitted.

**All vent measurements start at the base of the air collar of the appliance.**

#### **important:**

**For ease of installation, the front frame can be removed. The front frame must be reinstalled prior to installing the nailing tabs.**

**Horizontal vent sections:** A minimum clearance of 3" (76mm) on the top outside of the enclosure and 2" (51mm) on the sides and bottom outside of the enclosure all around the vent pipe on all horizontal runs to combustibles is required. Horizontal vent sections within enclosures require a minimum clearance of 6" (152mm) at the top of the vent pipe.

**Vertical vent sections:** A minimum of 1" (25mm) all around the vent pipe on all vertical runs to combustibles is required except for clearances in appliances enclosures. Vertical vent sections within enclosures require a minimum clearance of 1" (25mm) around the vent pipe.



## minimum venting requirements

Use only Wolf Steel, Simpson Dura-Vent, Selkirk Direct Temp, American Metal Amerivent or Metal-Fab venting components. Minimum and maximum vent lengths, for both horizontal and vertical installations, clearances from vent pipes to combustibles and air terminal locations as set out in this manual apply to all vent systems and must be adhered to. For Simpson Dura-Vent, Selkirk Direct Temp, American Metal Amerivent and Metal-Fab, follow the installation procedure provided with the venting components. A starter adaptor must be used with the following vent systems and may be purchased from the corresponding supplier:

Vent Manufacturer	Starter Adapter Part Number	Supplier	Website
Duravent	W175-0170	Wolf Steel	www.duravent.com
Amerivent	5DSC-N2	American Metal	www.americanmetalproducts.com
Direct Temp	5DT-AAN	Selkirk	www.selkirkcorp.com
SureSeal	5DNA	Metal-Fab	www.mtlfab.com

For vent systems that provide seals on the inner exhaust flue, only the outer air intake joints must be sealed using a red high temperature silicone (RTV). **This same sealant may be used on both the inner exhaust and outer intake vent pipe joints of all other approved vent systems except for the exhaust vent pipe connection to the appliance flue collar which must be sealed using the black high temperature sealant Mill Pac.**

When using Wolf Steel venting components, use only approved Wolf Steel flexible components with the wall terminal kit **GD422R-2**, or 1/12 to 7/12 pitch roof terminal kit **GD410**, 8/12 to 12/12 roof terminal kit **GD411**, flat roof terminal kit **GD412** or periscope kit **GD401** (for wall penetration below grade). With flexible venting, in conjunction with the various terminations, use either the 5 foot (1.5m) vent kit **GD420** or the 10 foot (3.1m) vent kit **GD430**.

**For optimum flame appearance and appliance performance, keep the vent length and number of elbows to a minimum.**

Horizontal runs may have a 0" (0mm) rise per foot/meter however **for optimum performance it is recommended that all horizontal runs have a minimum 1/4" (21mm) rise per foot/meter using flexible venting.** For safe and proper operation of the appliance, follow the venting instructions exactly.

**The air terminal must remain unobstructed at all times. Examine the air terminal at least once a year to verify that it is unobstructed and undamaged.**

**Rigid and flexible venting systems must not be combined. Different venting manufacturer components must not be combined.**

These vent kits allow for either horizontal or vertical venting of the appliance. **The maximum allowable horizontal run is 20 feet (6.1m).** The maximum allowable vertical vent length is 40 feet (12.2m). The maximum number of vent connections is two horizontally or three vertically (excluding the appliance and the air terminal connections) when using flexible venting.

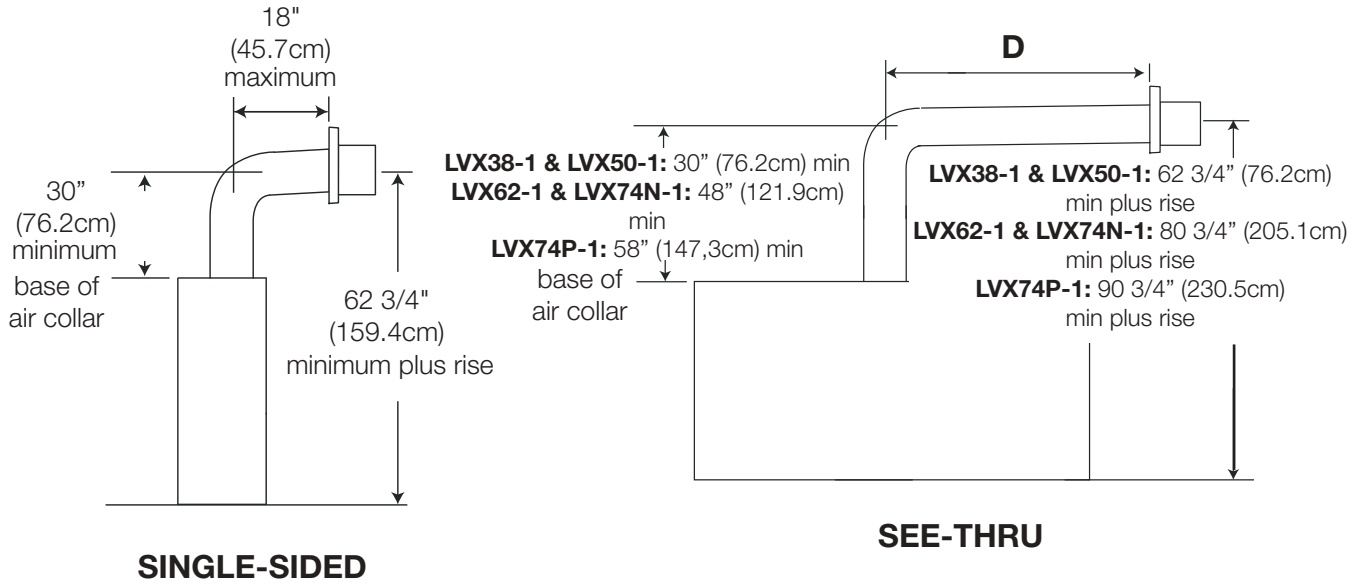
A terminal shall not terminate directly above a sidewalk or paved driveway which is located between two single family dwellings and serves both dwellings. Local codes or regulations may require different clearances.

Do not allow the inside liner to bunch up on horizontal or vertical runs and elbows. Keep it pulled tight. A 1/4" (31.8mm) air gap all around between the inner liner and outer liner is required for safe operation.

This appliance is certified for use with a power vent kit. Contact your local authorized dealer for more information.

# minimum venting requirements

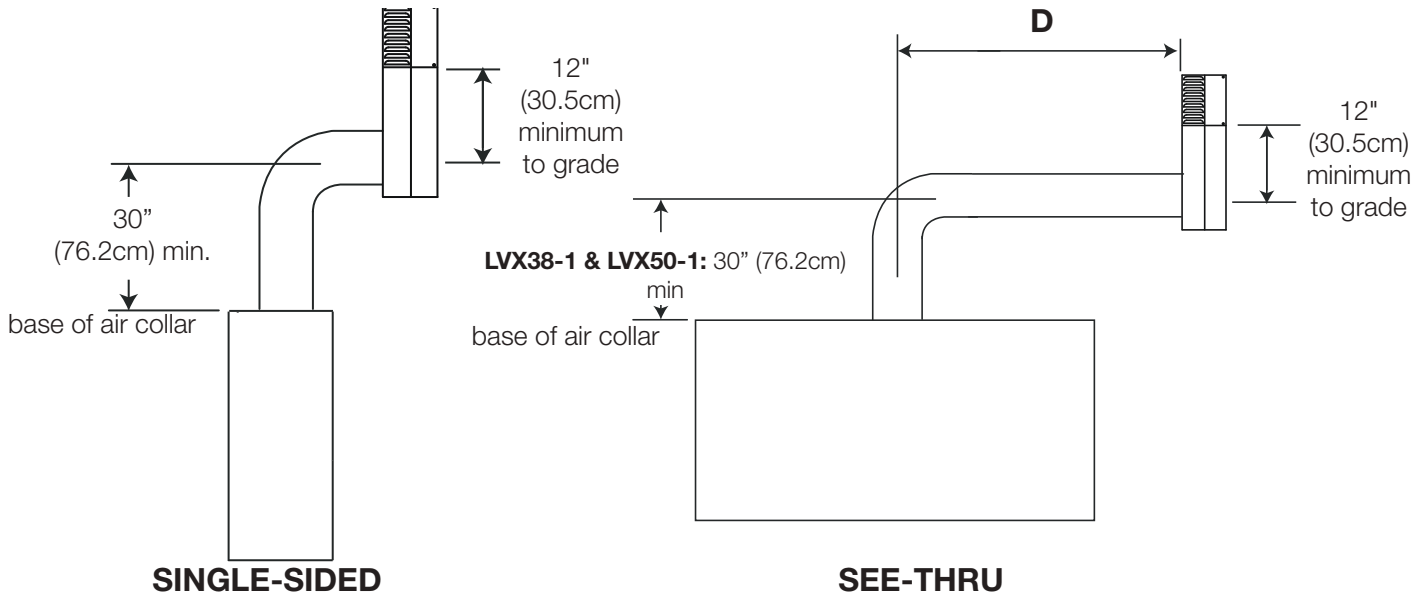
## 3.1 typical venting installation



	LVX38-1	LVX50-1	LVX62-1	LVX74-1
D	40" (101.6cm)	46 1/2" (118.1cm)	52 1/2" (133.4cm)	58 1/2" (148.6cm)

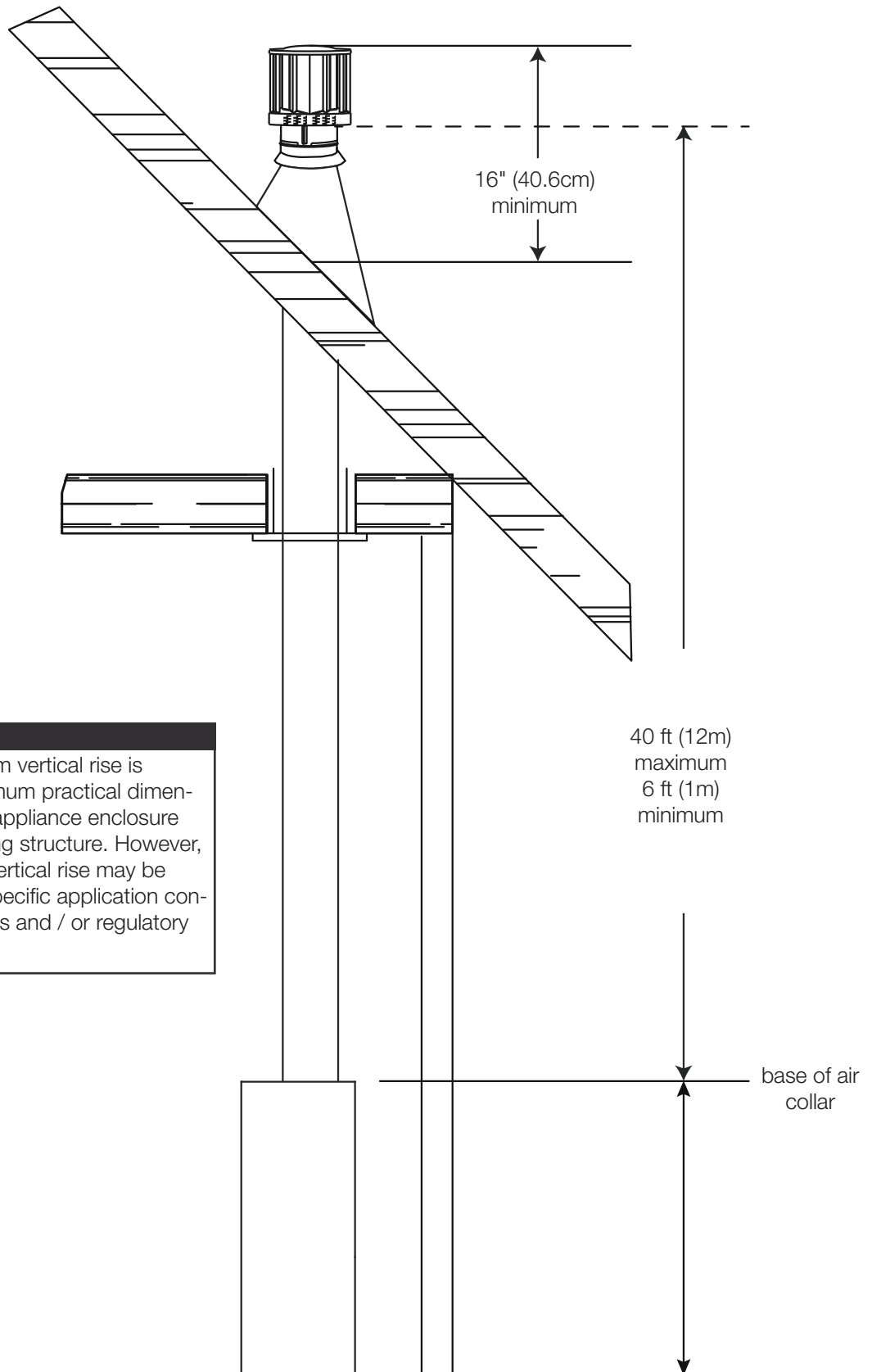
### special vent installation (periscope termination)

Use the periscope kit to locate the air termination above grade. The periscope must be installed so that when final grading is completed, the bottom air slot is located a minimum 12" (30.5cm) above grade. The maximum allowable vent length is 10' (3m).



	LVX38-1	LVX50-1	LVX62-1	LVX74-1
D	40" (101.6cm)	46 1/2" (118.1cm)	N/A	N/A

## SINGLE-SIDED OR SEE-THRU

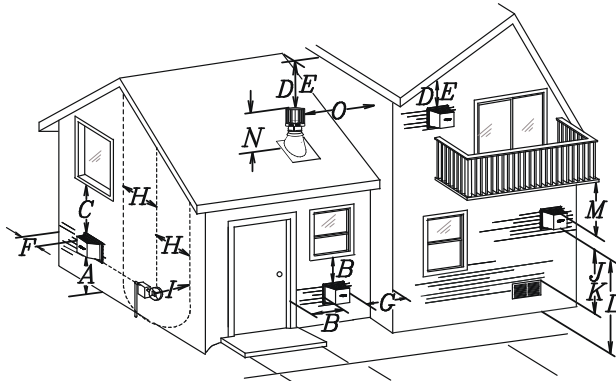


**note:**

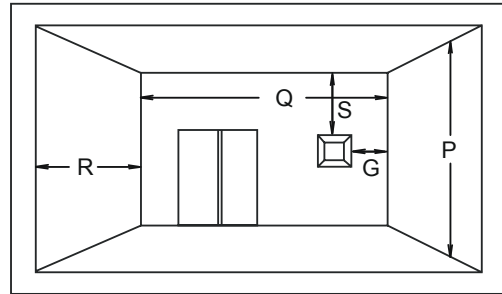
A 6' (1.83m) minimum vertical rise is considered the minimum practical dimension for the specific appliance enclosure and a minimal building structure. However, a greater minimum vertical rise may be needed to suit the specific application constraints or local codes and / or regulatory requirements.

# minimum venting requirements

## 3.2 minimum air terminal location clearances



### Covered balcony applications ††\*



$Q_{MIN} = 3 \text{ feet}$ (0.9m)	$R_{MAX} = 2 \times Q_{ACTUAL}$	$R_{MAX} \leq 15 \text{ feet}$ (4.6m)
--------------------------------------	---------------------------------	--

**note:**

Wall terminals are for illustration purposes only. Size and shapes may vary.

INSTALLATIONS			
	CANADA	U.S.A.	
<b>A</b>	12" (30.5cm)	12" (30.5cm)	Clearance above grade, veranda porch, deck or balcony.
<b>B</b>	12" (30.5cm) <sup>Δ</sup>	9" (229mm) <sup>Δ</sup>	Clearance to windows or doors that open.
<b>C</b>	12" (30.5cm)*	12" (30.5cm)*	Clearance to permanently closed windows.
<b>D</b>	18" (45.7cm)**	18" (45.7cm)**	Vertical clearance to ventilated soffits located above the terminal within a horizontal distance of 2' (0.6m) from the center line of the terminal.
<b>E</b>	12" (30.5cm)**	12" (30.5cm)**	Clearance to unventilated soffit.
<b>F</b>	0" (0mm)	0" (0mm)	Clearance to an outside corner wall.
<b>G</b>	0" (0mm)***	0" (0mm)***	Clearance to an inside <b>non</b> -combustible corner wall or protruding <b>non</b> -combustible obstructions (chimney, etc.).
	2" (51mm)***	2" (51mm)***	Clearance to an inside combustible corner wall or protruding combustible obstructions (vent chase, etc.).
<b>H</b>	3' (0.9m)	3' (0.9m)****	Clearance to each side of the center line extended above the meter / regulator assembly to a maximum vertical distance of 15' (4.6m).
<b>I</b>	3' (0.9m)	3' (0.9m)****	Clearance to a service regulator vent outlet.
<b>J</b>	12" (30.5cm)	9" (229mm)	Clearance to a non-mechanical air supply inlet to the building or a combustion air inlet to any other appliance.
<b>K</b>	6' (1.8m)	3' (0.9m) †	Clearance to a mechanical air supply inlet.
<b>L</b>	7' (2.1m) ‡	7' (2.1m) ****	Clearance above a paved sidewalk or paved driveway located on public property.
<b>M</b>	12" (30.5cm)††	12" (30.5cm)****	Clearance under a veranda, porch or deck.
<b>N</b>	16" (40.6cm)	16" (40.6cm)	Clearance above the roof.
<b>O</b>	2' (0.6m)†*	2' (0.6m) †*	Clearance from an adjacent wall including neighbouring buildings.
<b>P</b>	8' (2.4m)	8' (2.4m)	Roof must be <b>non</b> -combustible without openings.
<b>Q</b>	3' (0.9m)	3' (0.9m)	See chart for wider wall dimensions.
<b>R</b>	6' (1.8m)	6' (1.8m)	See chart for deeper wall dimensions. The terminal shall not be installed on any wall that has an opening between the terminal and the open side of the structure.
<b>S</b>	12" (30.5cm)	12" (30.5cm)	Clearance under a covered balcony

Δ The terminal shall not be located less than 6 feet under a window that opens on a horizontal plane in a structure with three walls and a roof.

\* Recommended to prevent condensation on windows and thermal breakage

\*\* It is recommended to use a heat shield and to maximize the distance to vinyl clad soffits.

\*\*\* The periscope requires a minimum 18 inches clearance from an inside corner.

\*\*\*\* This is a recommended distance. For additional requirements, check local codes.

† 3 feet above if within 10 feet horizontally.

‡ A vent shall not terminate where it may cause hazardous frost or ice accumulations on adjacent property surfaces.

†† Permitted only if the veranda, porch, or deck is fully open on a minimum of two sides beneath the floor.

†\* Recommended to prevent recirculation of exhaust products. For additional requirements, check local codes.

††\* Permitted only if the balcony is fully open on a minimum of one side.

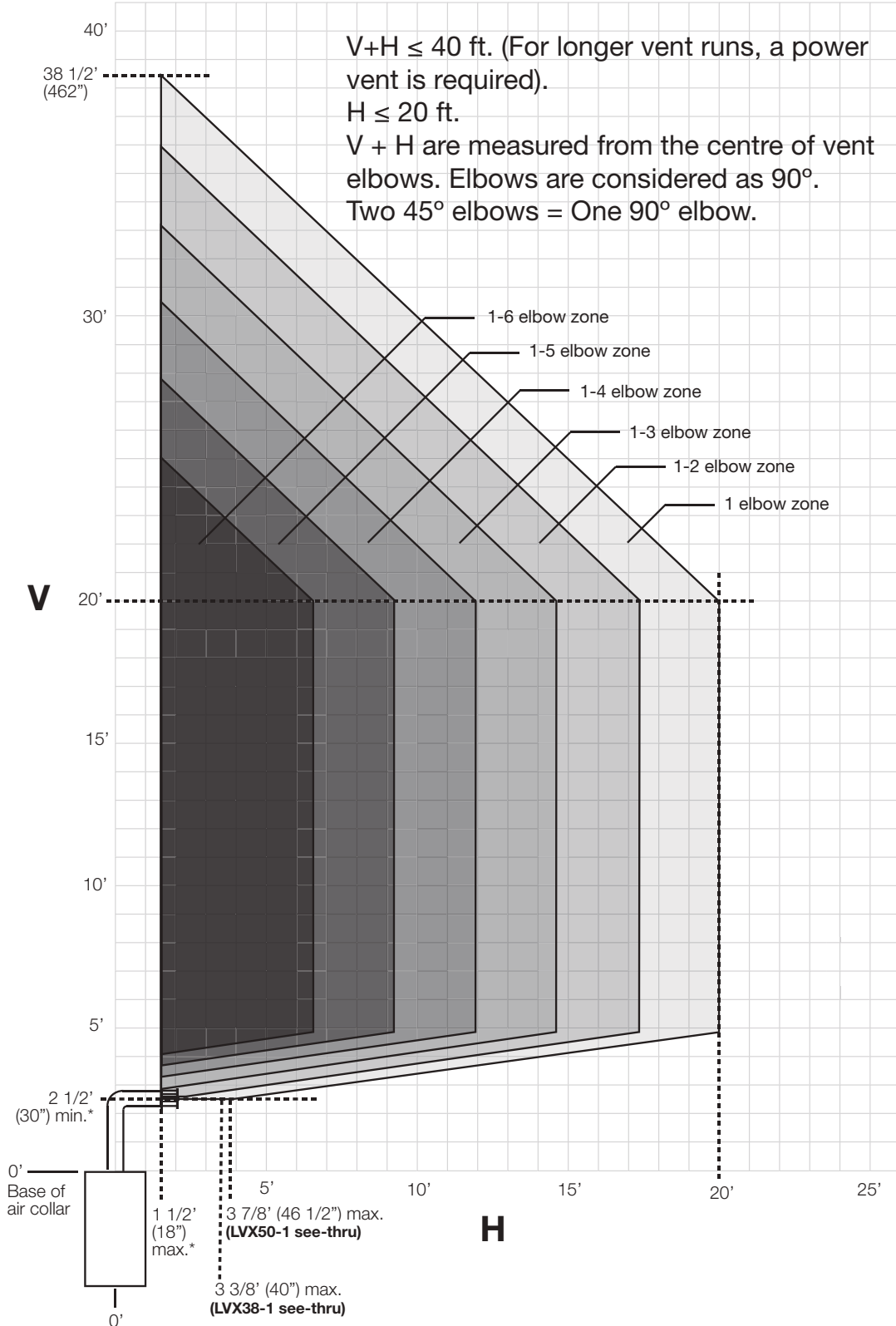
**note:**

Clearances are to be in accordance with local installation codes and the requirements of the gas supplier. In their absence, clearances are to be as listed above and are based on national codes.

# minimum venting requirements - natural gas

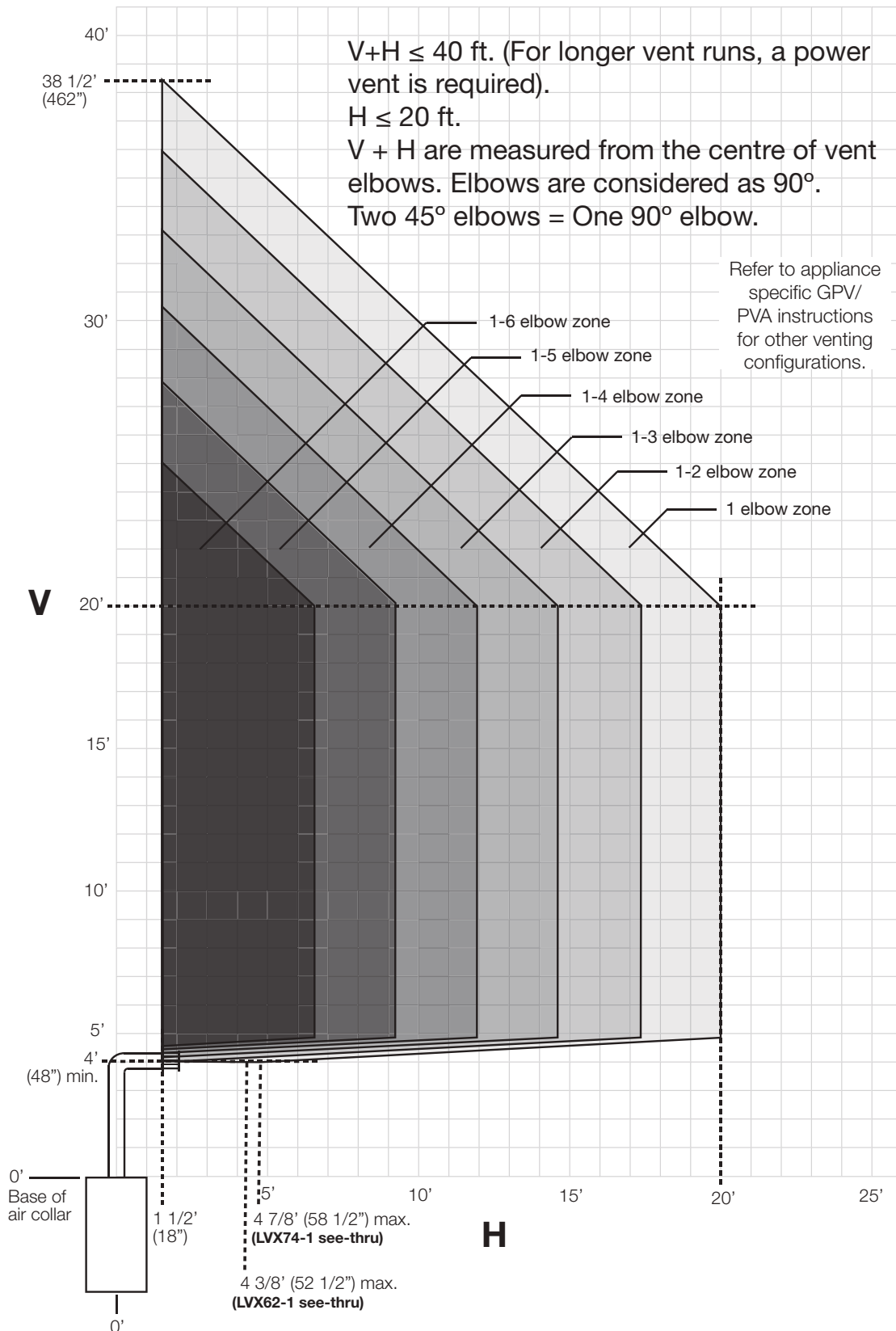
## 3.3 horizontal termination

### LVX38-1 / LVX50-1 / LVX62-1 / LVX74-1 SINGLE-SIDED & LVX38-1 / LVX50-1 SEE-THRU (NATURAL GAS ONLY)

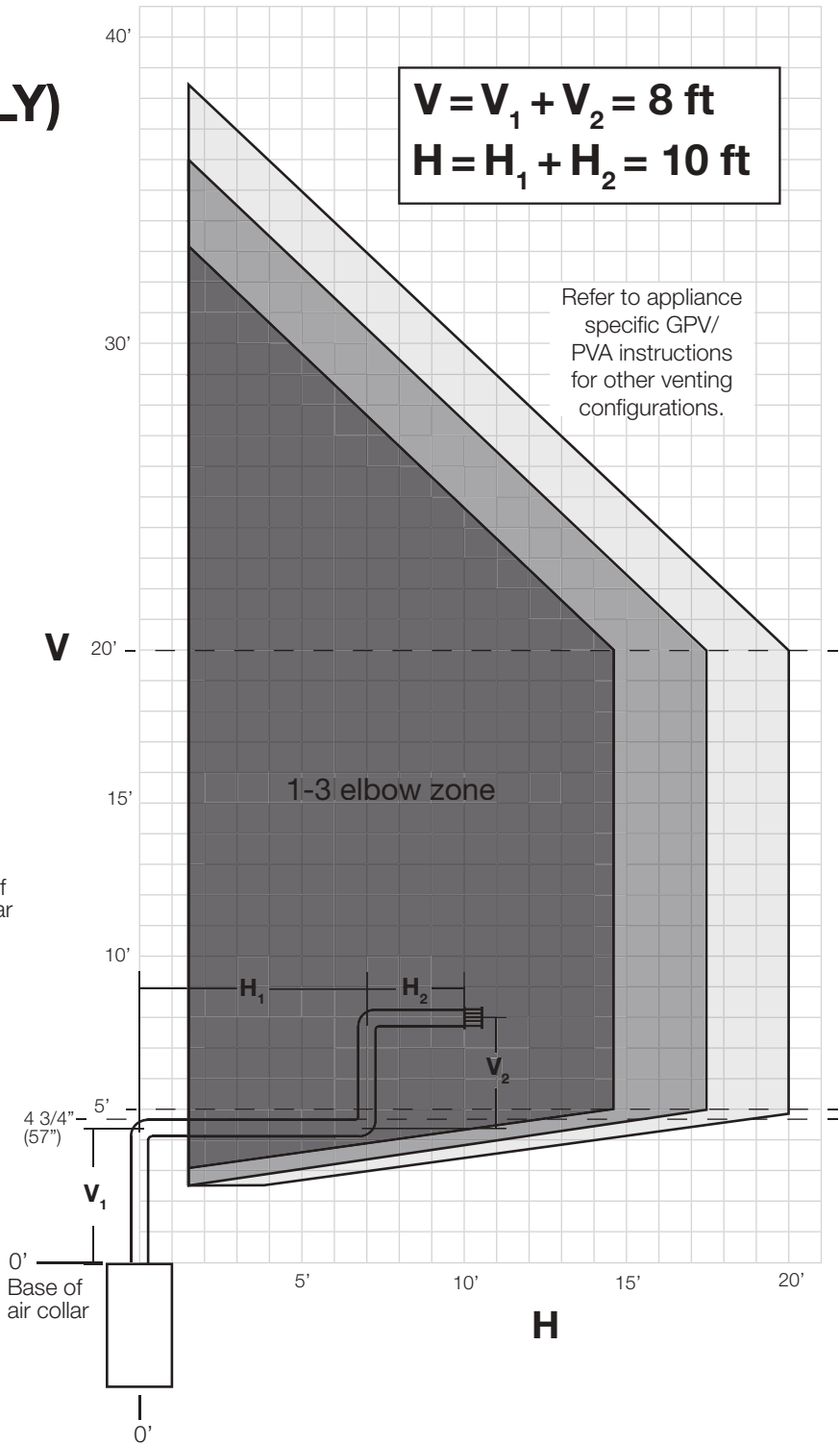
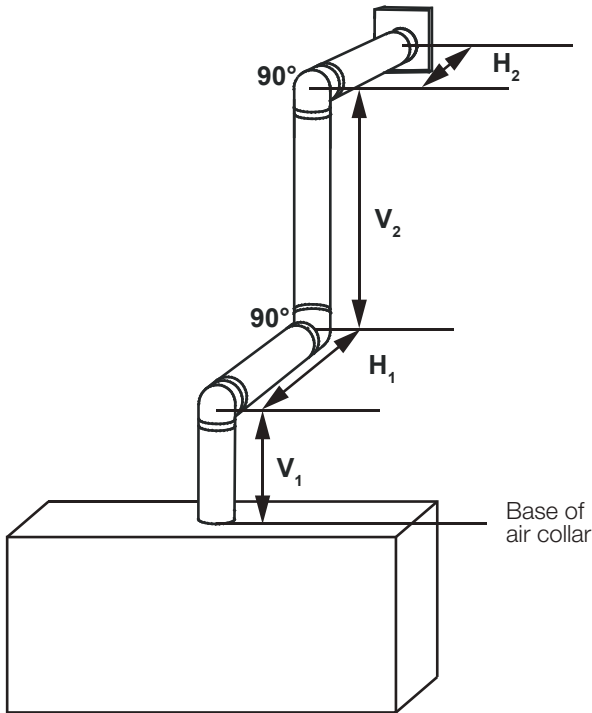




## L VX62-1/ LVX74-1 SEE-THRU (NATURAL GAS ONLY)



**(NATURAL GAS ONLY)**



**V and H are measured from the center of the vent elbows**

This example represents a vent that has a maximum of three 90° elbows, a combined horizontal vent length (H) of 10 feet and a combined vertical vent length (V) of 8 feet.

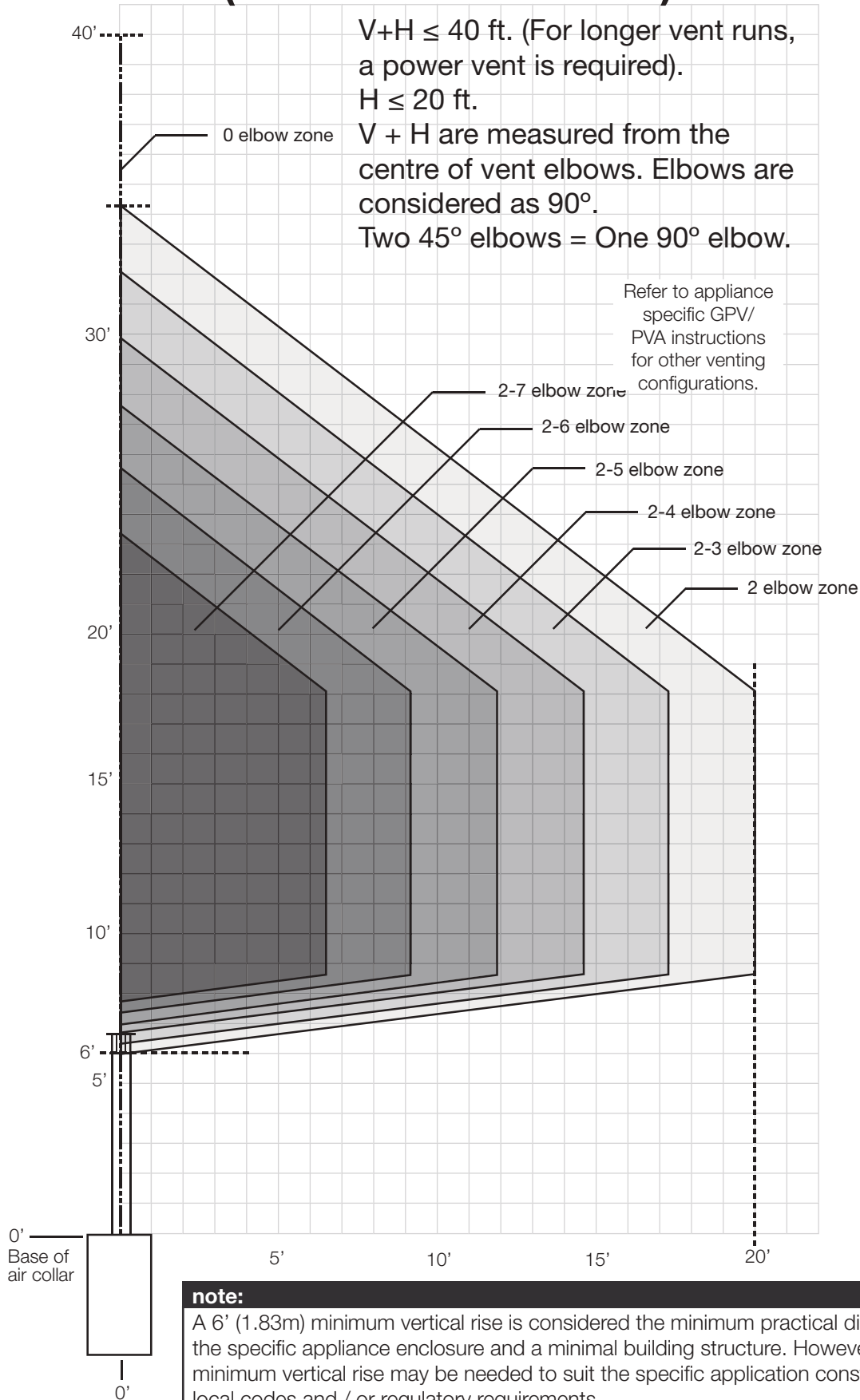
Since the vent is located in the dark shaded area, it is within the acceptable vent configuration

# minimum venting requirements - natural gas

## 3.4 vertical termination

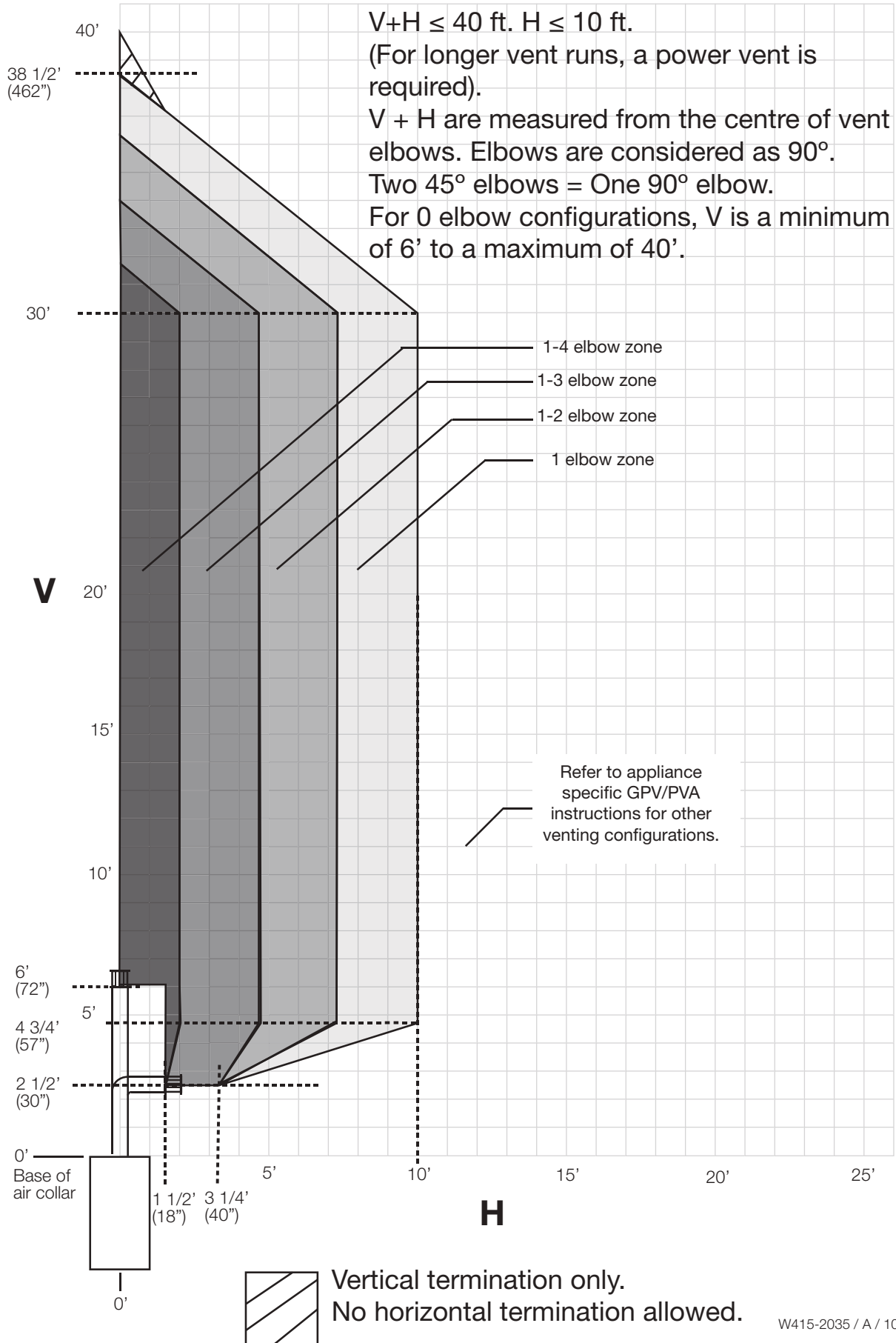
### ALL APPLIANCES

### (NATURAL GAS ONLY)



3.5 LVX38-1 venting configurations

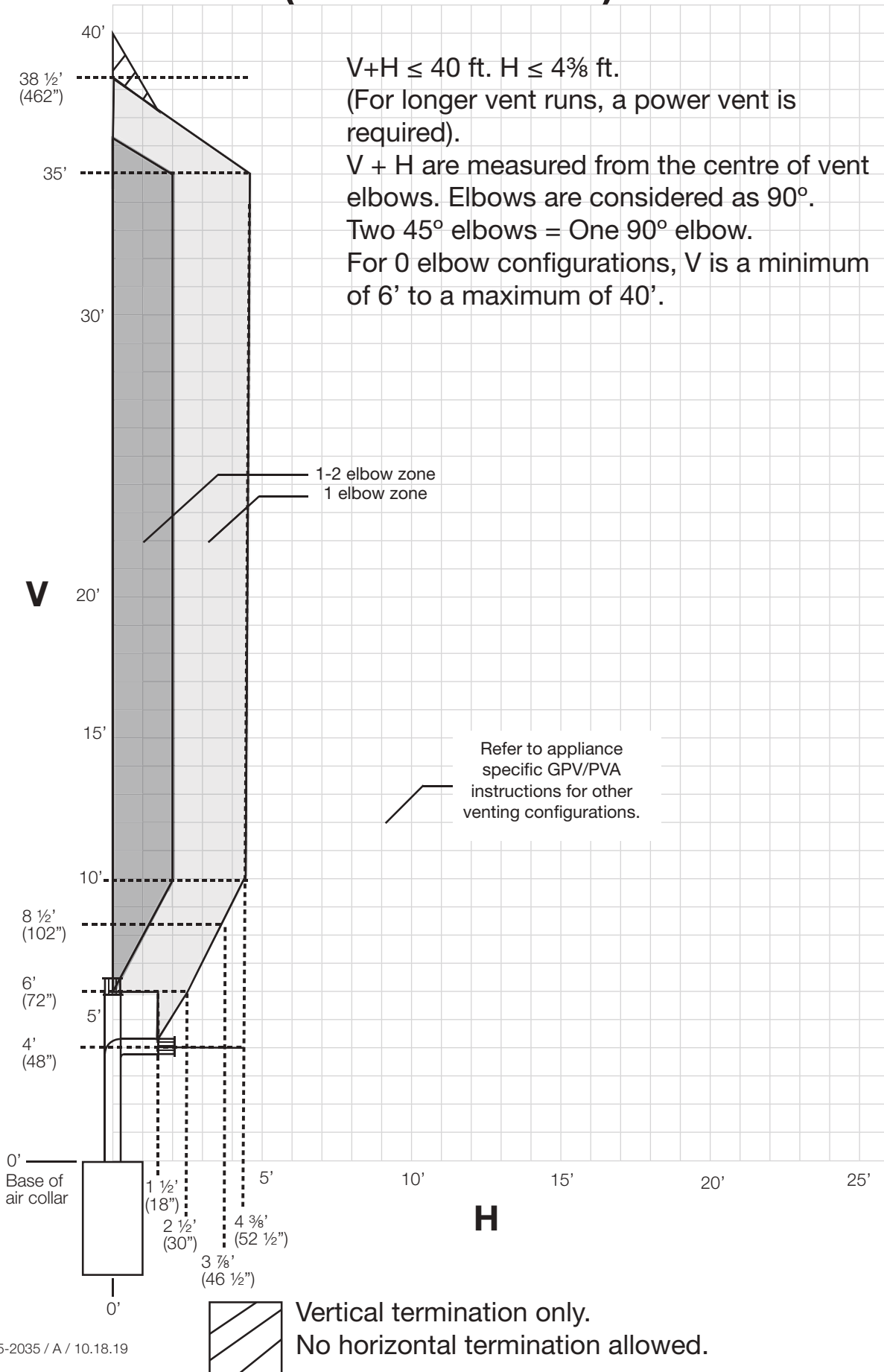
**(PROPANE ONLY)**



# minimum venting requirements - propane

## 3.6 LVX50-1 / LVX62-1 venting configurations

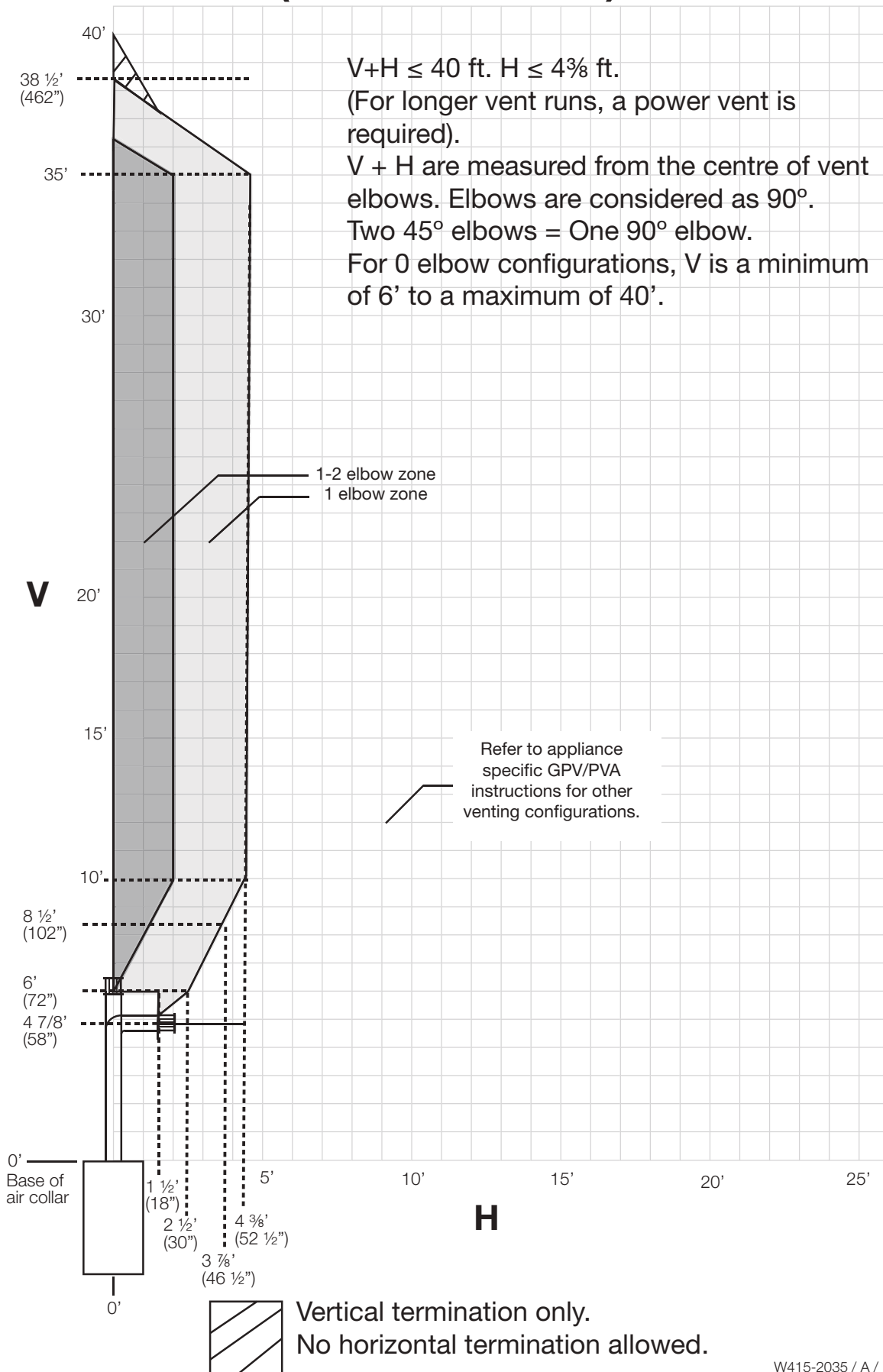
### (PROPANE ONLY)





3.7 LVX74-1 venting configurations

**(PROPANE ONLY)**

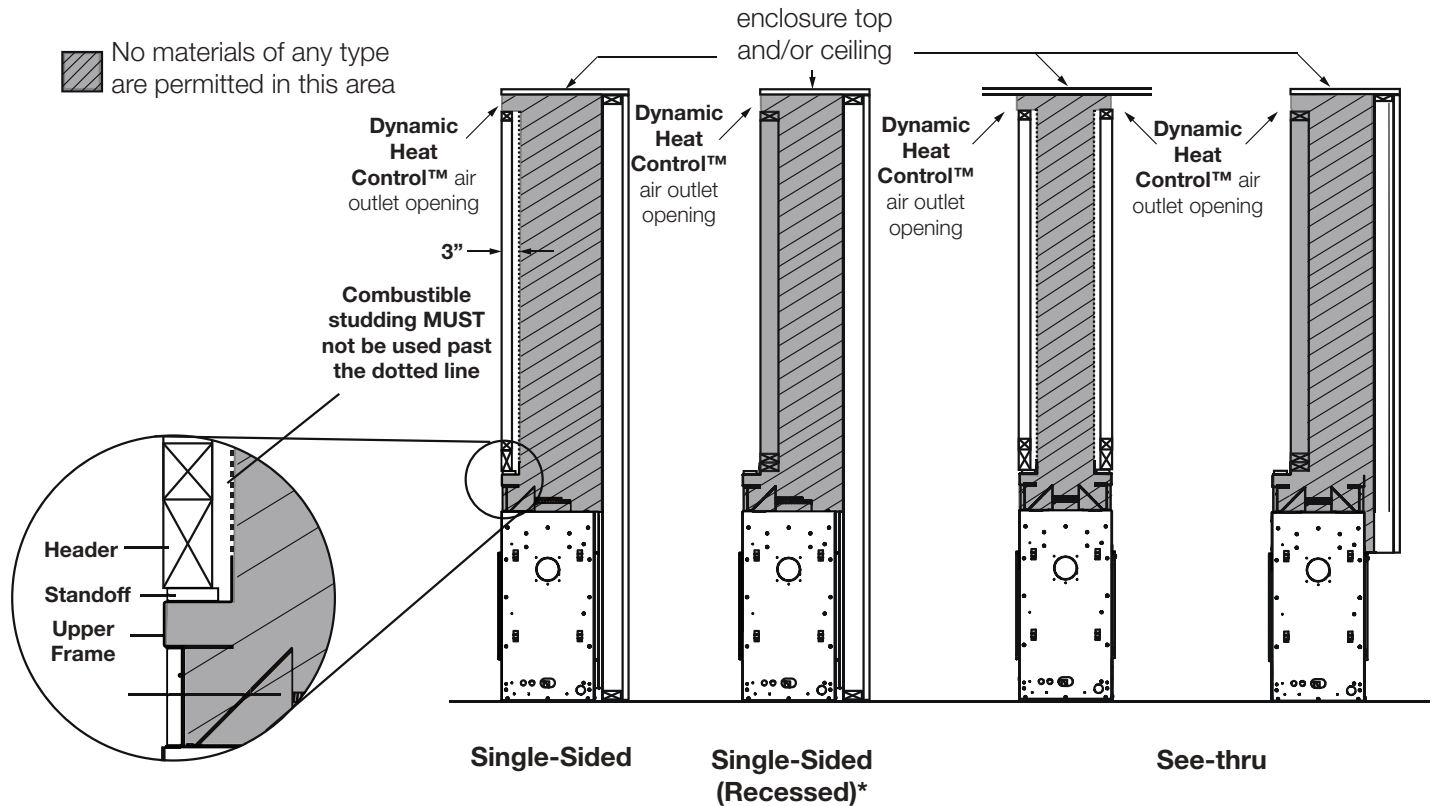


## 4.0 installation planning

### ⚠ WARNING

- Do **NOT** cover or place any items in the **Dynamic Heat Control™** air outlet. Failure to comply with these instructions will create a fire hazard.
- Ensure air flow within the air passage is not restricted in any way with the exception of approved venting.

Read **Dynamic Heat Control™** section before proceeding.



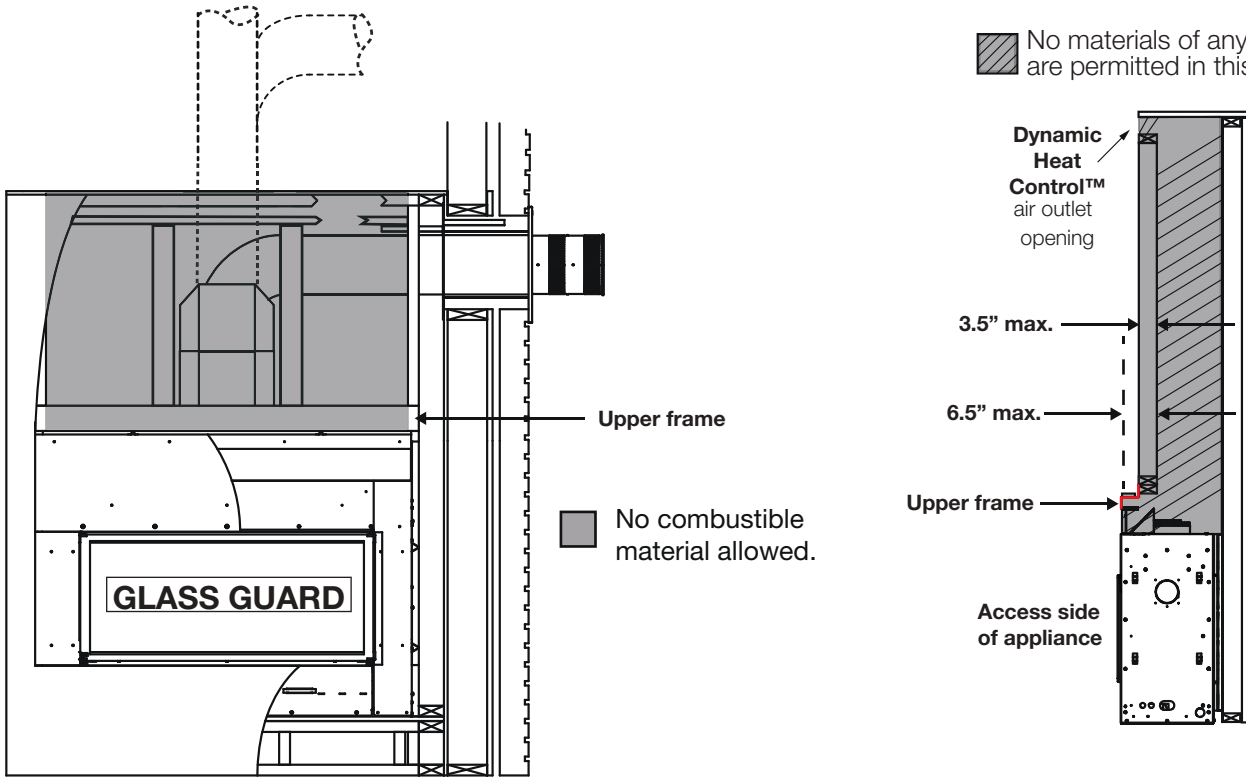
\*Restrictions also apply to see-thru when one or more recess is used.

Air flow in the shaded area **must** not be restricted in any way with the exception of an approved appliance vent system. No other items are allowed in this area.

Shaded framing **must** use non-combustible materials. No combustible materials allowed in this area or the space between studs (i.e. no wiring, conduits, electrical bores, combustible framing members, AV equipment, finishing brackets, framing, etc.)

# installation planning

If steel studs are used to facilitate a partial recess, they can only be used to a maximum depth of 3.5" (i.e. one stud). If the appliance is recessed further into the enclosure, the air flow will be restricted through the **DHC™** system.

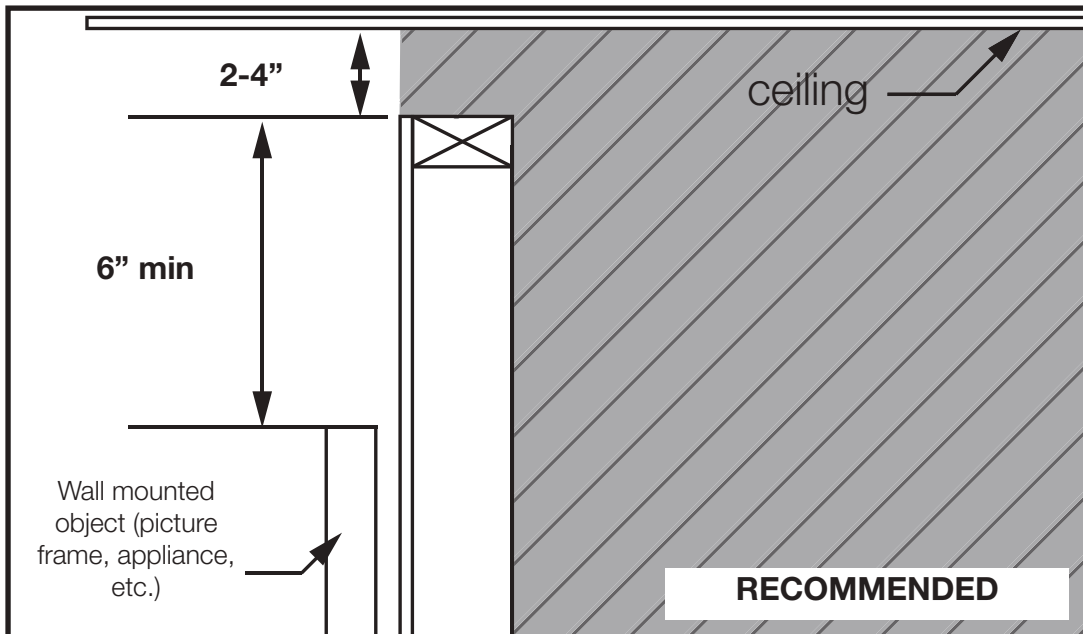
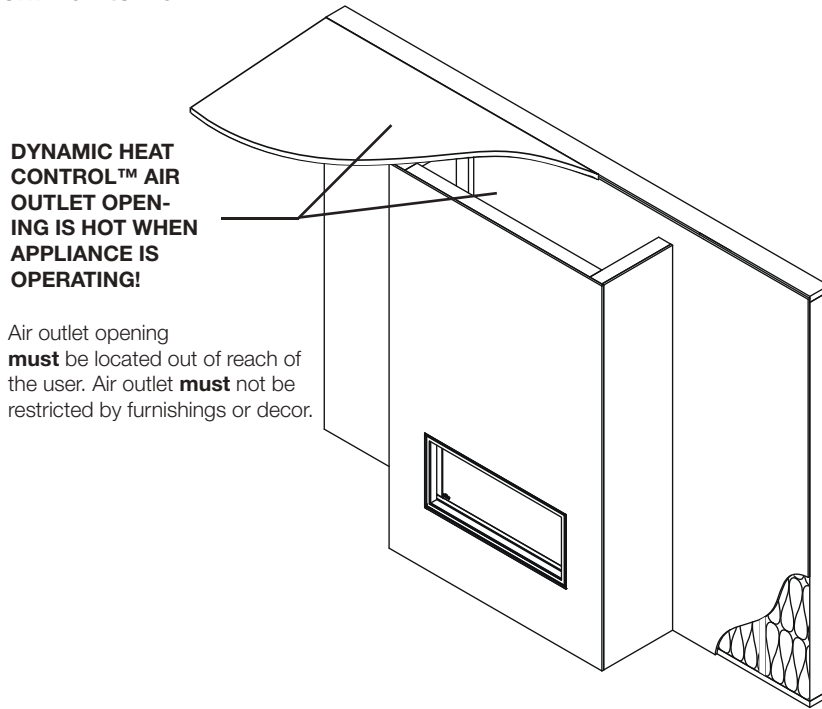


# installation planning

## 4.1 installation option 1 - open enclosure (enclosure stops short of the ceiling)

### NOT Suitable for Dynamic Heat Control™ Plus

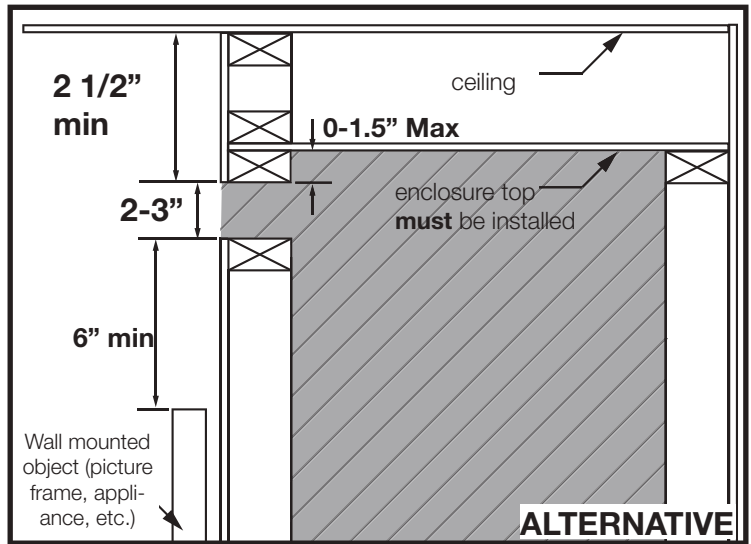
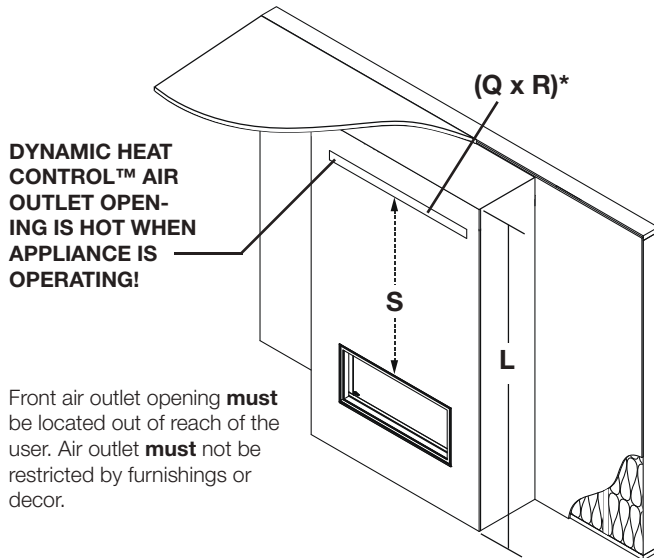
It is one option not to finish or close in the top of the enclosure to provide the necessary air circulation path for the **Dynamic Heat Control™** system. Leaving a complete air outlet opening above the enclosure has been found to be well accepted with respect to final appearance and offer minimal distraction. It also allows for efficient circulation of air within the room. This option offers the simplest method for framing and installation. (If installing **Dynamic Heat Control™ Plus**, refer to option 2 or 3 - **DHC™ Plus cannot be used with option 1**). Limit the air outlet opening height to 4" to reduce the risk of items inadvertently falling into the enclosure. **The air outlet opening must extend around the entire perimeter, or the entire front face of the enclosure, where the enclosure runs from wall to wall.**



## 4.2 installation option 2 - front opening

**Suitable for Dynamic Heat Control™ Plus**  
**Suitable for Dynamic Linear Trim**

Minimum air outlet opening dimensions **must** be followed. The opening is required to be framed no more than 1.5" below the enclosure top (see option 2 diagram) to avoid trapping heat in the upper areas and the air outlet opening centered on the appliance center. **Framing the air outlet opening lower will overheat the appliance, the enclosure, and finishing material.**



Air outlet opening is required to be centered with the appliance.

### MINIMUM AIR OUTLET OPENING DIMENSIONS

	LVX38-1	LVX50-1	LVX62-1	LVX74-1
<b>(Q x R)*</b>	80 sq. in. minimum (Q <b>must</b> be 2-3")		160 sq. in. minimum (Q <b>must</b> be 2-3")	
<b>S</b>	This dimension is determined from the enclosure height (L) minus the distance to the top of the Dynamic Heat Control™ air outlet opening (0"-1.5"), height of the air opening (2"-3"), and the distance from the base of the appliance to the top of the appliance viewing area (25 11/16").			

**\*Free area. Any trim edging or finishing must not reduce or restrict minimum area. Grills, grates, louvres, or other unapproved covers are not permitted and will cause a fire hazard.**

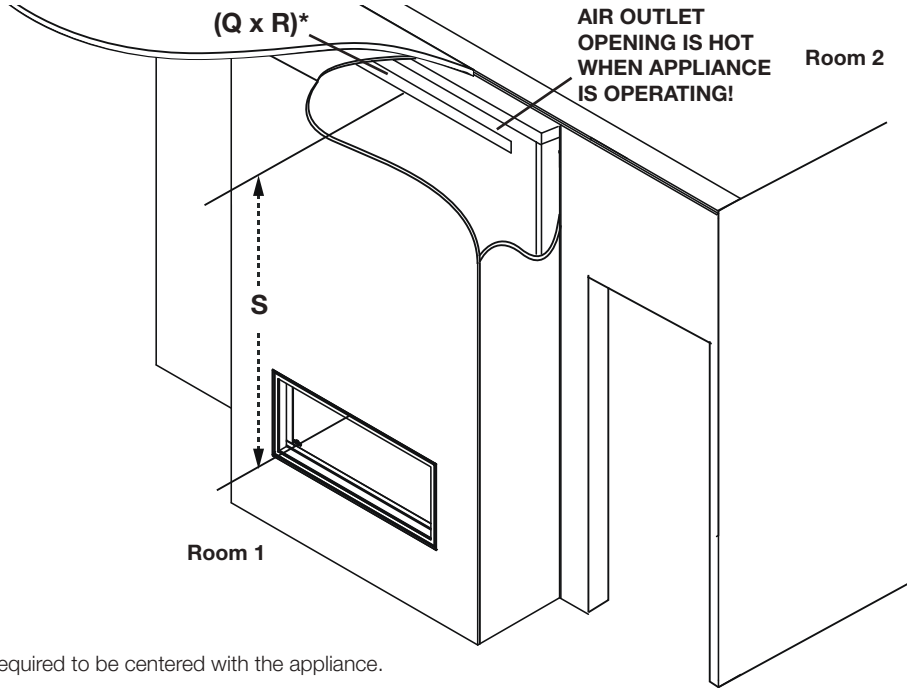
# installation planning

## 4.3 installation option 3 - Rear Opening

Suitable for Dynamic Heat Control™ Plus  
Suitable for Dynamic Linear Trim

Minimum air outlet opening dimension **must** be followed. The opening is required to be framed no more than 1.5" below the enclosure top (see option 3 diagram) to avoid trapping heat in the upper areas and centered on the appliance center. **Framing the rear opening lower will overheat the appliance, the enclosure, and finishing material.**

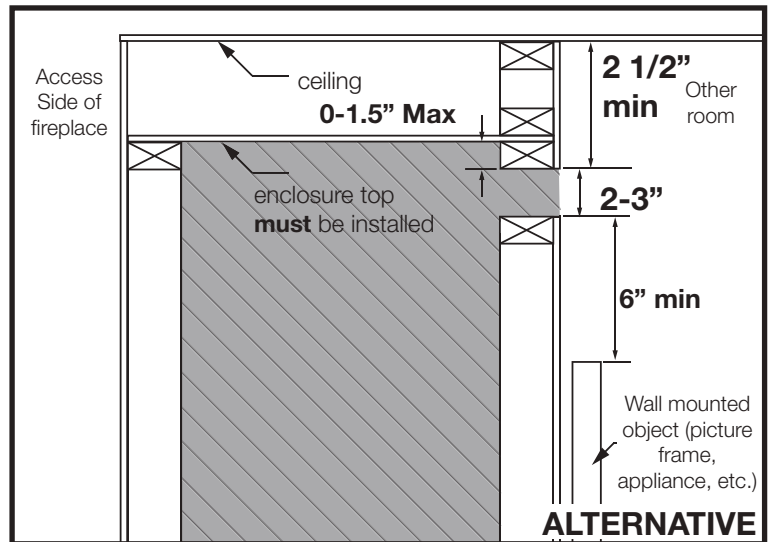
Dynamic Heat Control™ rear air outlet opening **must** be located out of reach of the user. Opening **must** not be restricted by furnishings or decor.



Air outlet opening is required to be centered with the appliance.

### ! WARNING

- When using a rear (or two-sided) air outlet opening, it is critical that the adjoining room or living spaces are in direct air communication (i.e. of an open plan configuration or connected by a permanently open doorway or archway). This prevents the appliance from being in a negative pressure more than that of the adjoining room. Failure to follow these requirements can result in reversing the Dynamic Heat Control™ air flow and will cause the appliance, glass guard assembly, and finishing materials to overheat, creating a fire hazard.



### note:

Increasing the air outlet opening will allow the appliance, the glass barrier, the temperatures on the surfaces above the fireplace opening, and the enclosure be at cooler temperatures. It will also allow the air to circulate more effectively in the room. **However, if the appliance is equipped with the Dynamic Heat Control™ Plus, then the opening size must be 80 sq. in. for models LVX38-1 and LVX50-1, or 160 sq. in. for models LVX62-1 and LVX74-1.**



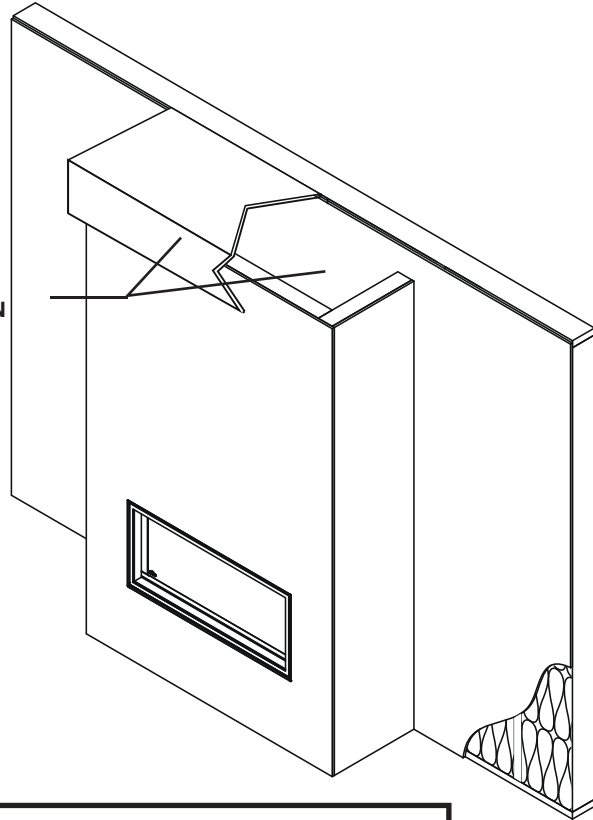
## 4.4 installation option 4 - open enclosure with hard combustible valance

### NOT Suitable for Dynamic Heat Control™ Plus

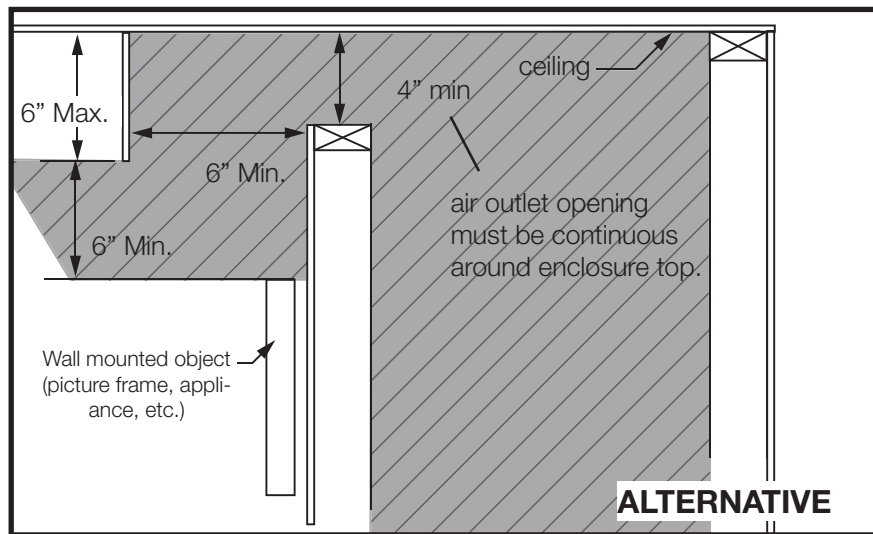
Option 4 is similar to option 1 with the addition of a hard combustible valance. Minimum opening dimensions and valance dimensions **must** be followed (see option 4 diagram). **Restricting air movement within the valance area will overheat the appliance, the enclosure, and finishing material.**

**NOTE:** Air outlet opening must be at least continuous around the top of the enclosure for a valance to be permitted. Using the minimum air outlet opening from option 1 or 2 is not permitted and will overheat the appliance.

**DYNAMIC HEAT CONTROL™ AIR OUTLET OPENING IS HOT WHEN APPLIANCE IS OPERATING!**



Air outlet opening must be located out of reach of the user.  
Air outlet **must** not be restricted by furnishings or decor.



ABSOLUTELY NO OBSTRUCTION OR RESTRICTION ALLOWED IN THE ENTIRE SHADED AREA WITH THE EXCEPTION OF APPROVED VENTING

## 5.0 rough framing - before appliance installation

### note:

When using optional finishing accessories, the framing dimensions and finishing materials may differ from what is outlined in the section below; refer to the leaflet instructions supplied in the accessory kit for specific framing and finishing specifications.

### **WARNING**

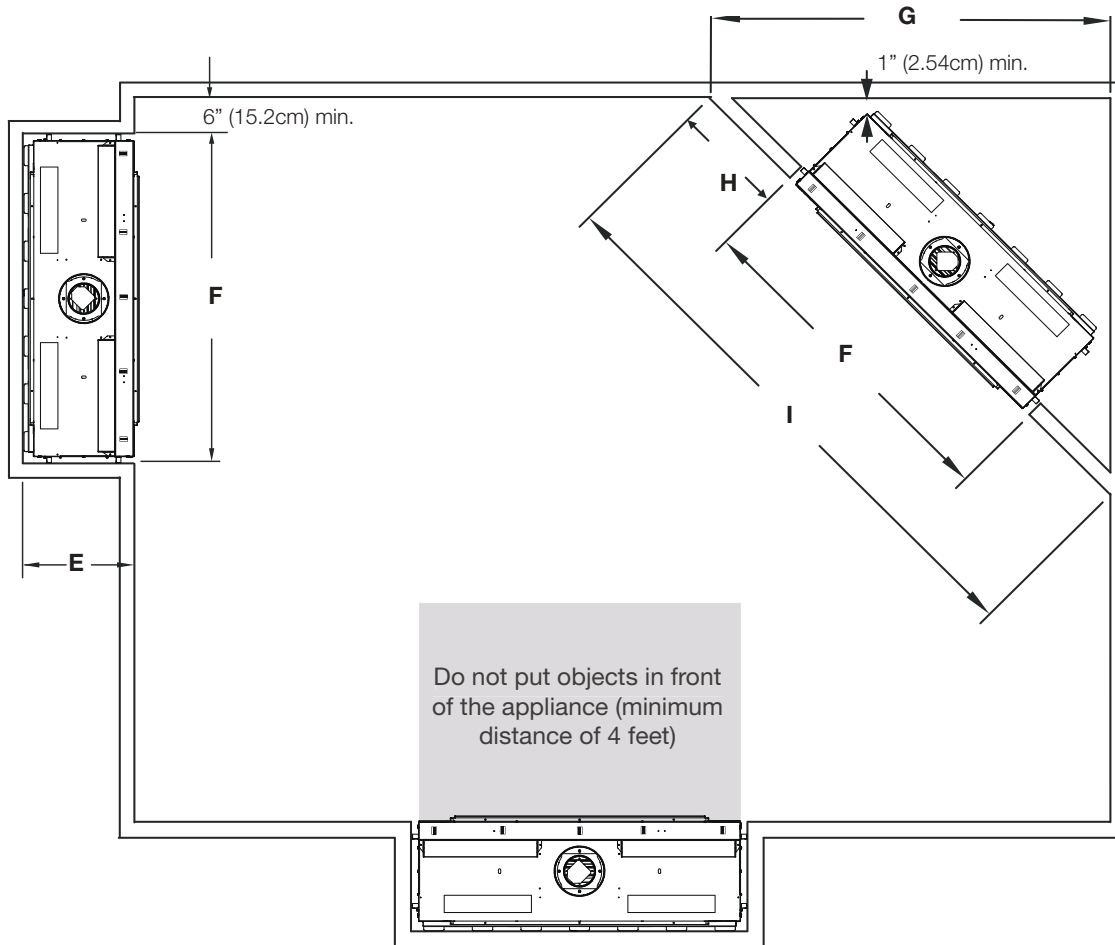
- Risk of fire!
- In order to avoid the possibility of exposed insulation or vapour barrier coming in contact with the appliance body, it is recommended that the walls of the appliance enclosure be “finished” (i.e. drywall / sheetrock), as you would finish any other outside wall of a home. This will ensure that clearance to combustibles is maintained within the cavity.
- Do not notch the framing around the appliance stand offs. Failure to maintain air space clearance may cause over heating and fire. Prevent contact with sagging or loose insulation or framing and other combustible materials. Block opening into the chase to prevent entry of blown-in insulation. Make sure insulation and other materials are secured.
- Minimum clearance to combustibles must be maintained or a serious fire hazard could result.
- The appliance requires a minimum enclosure height. Measure from the appliance base.)
- Minimum enclosure dimensions, air passages, inlets, and outlets must be maintained.

### note:

For heavier finishing materials such as marble, we recommend adding extra support to the frame. Ensure there is adequate floor support for the appliance and finishing material.

# rough framing - before appliance installation

## 5.1 minimum framing dimensions



### minimum framing

	LVX38-1	LVX50-1	LVX62-1	LVX74-1
*E	18" (45.7cm)**			
F	53 13/16" (136.7cm)	65 13/16" (167.2cm)	77 13/16" (197.6cm)	89 13/16" (228.1cm)
G	63 3/4" (162cm)	72 1/4" (183.5cm)	80 11/16" (205cm)	89 1/4" (226.6cm)
H	18 3/16" (46.2cm)			
I	90 3/16" (229cm)	102 3/16" (259.5cm)	114 1/8" (289.9cm)	126 1/8" (320.4cm)

**Horizontal vent sections:** A minimum clearance of 3" (76mm) on the top outside of the enclosure and 2" (51mm) on the sides and bottom outside of the enclosure all around the vent pipe on all horizontal runs to combustibles is required. Horizontal vent sections within enclosures require a minimum clearance of 6" (152mm) at the top of the vent pipe.

**Vertical vent sections:** A minimum of 1" (25mm) all around the vent pipe on all vertical runs to combustibles is required except for clearances in appliances enclosures. Vertical vent sections within enclosures require a minimum clearance of 1" (25mm) around the vent pipe.

\*Single-sided model illustrated.

\*\*Max. 21" (53.5cm)

# rough framing - before appliance installation

## 5.1.1 minimum clearance to combustibles enclosures single-sided

1" [25mm] minimum all sides for sections of vertical venting.

When passing through a ceiling, use firestop spacer W500-0028 (not supplied)

6" [152mm] minimum (inside enclosure)

3" [76mm] to top (outside of enclosure)

2" [51mm] to sides / bottom (outside of enclosure)

When passing through a wall, use firestop spacer assembly W010-4178 (supplied)

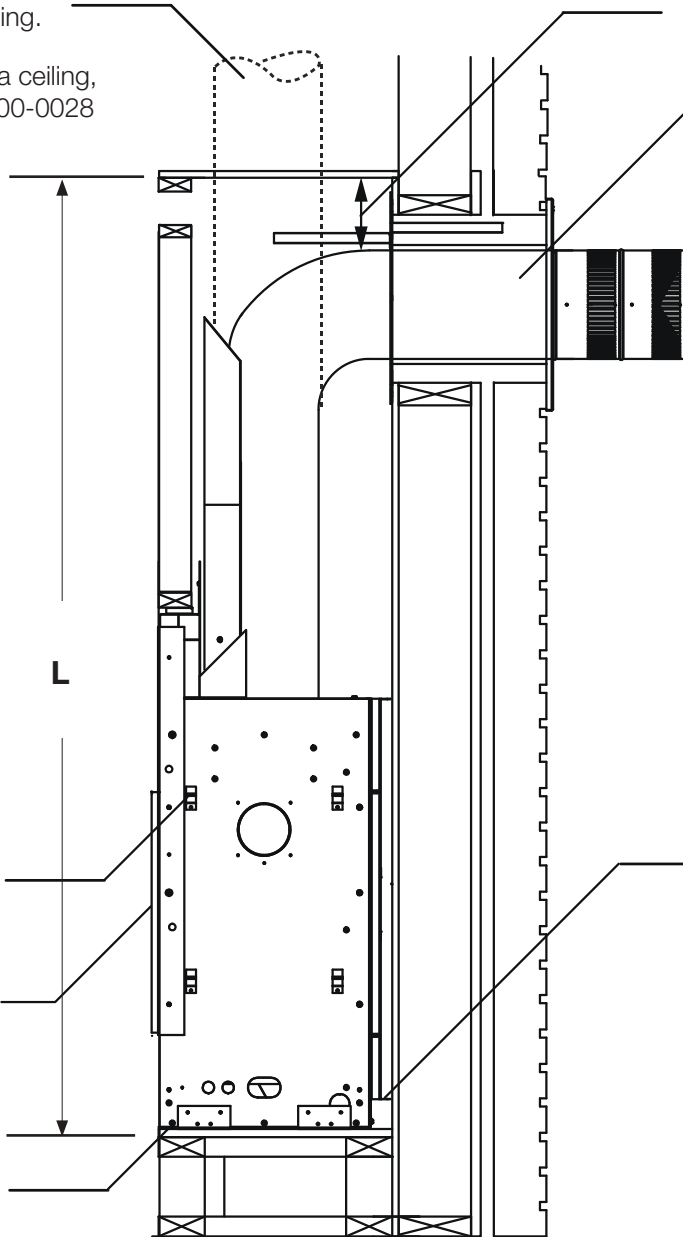
0" to non-combustible finishing such as brick and stone. When using non-combustible finishing, only use firestop spacer (W615-0162) included in the firestop assembly (W010-4178)

0" to side standoffs

1/2" finishing flange

0" to bottom of the appliance

0" to back standoffs



**Horizontal vent sections:** A minimum clearance of 3" (76mm) on the top outside of the enclosure and 2" (51mm) on the sides and bottom outside of the enclosure all around the vent pipe on all horizontal runs to combustibles is required. Horizontal vent sections within enclosures require a minimum clearance of 6" (152mm) at the top of the vent pipe.

**Vertical vent sections:** A minimum of 1" (25mm) all around the vent pipe on all vertical runs to combustibles is required except for clearances in appliances enclosures. Vertical vent sections within enclosures require a minimum clearance of 1" (25mm) around the vent pipe.

**note:**

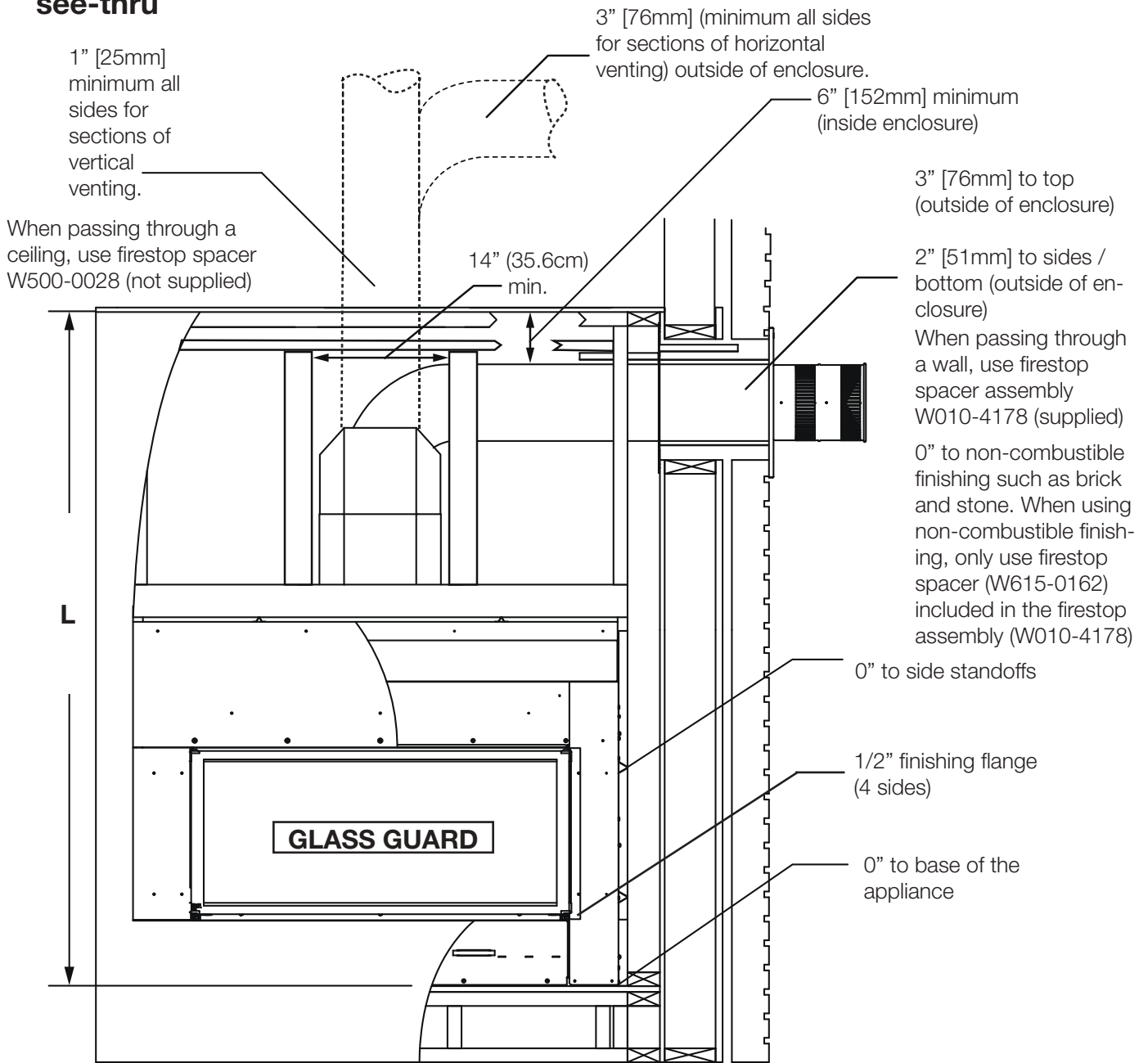
The LVX series requires a minimum enclosure height, as illustrated (dimension L), measured from the bottom of the appliance. For temperature requirements, this area must be left unobstructed. Some venting configurations that require more vertical rise will require a larger enclosure to provide minimum vertical clearance between vent pipes and combustibles.

**minimum clearance**

Ref	LVX38-1	LVX50-1	LVX62-1	LVX74-1
L	73" (185.4cm)		91" (231.1cm)	

# rough framing - before appliance installation

## see-thru



**Horizontal vent sections:** A minimum clearance of 3" (76mm) on the top outside of the enclosure and 2" (51mm) on the sides and bottom outside of the enclosure all around the vent pipe on all horizontal runs to combustibles is required. Horizontal vent sections within enclosures require a minimum clearance of 6" (152mm) at the top of the vent pipe.

**Vertical vent sections:** A minimum of 1" (25mm) all around the vent pipe on all vertical runs to combustibles is required except for clearances in appliances enclosures. Vertical vent sections within enclosures require a minimum clearance of 1" (25mm) around the vent pipe.

### minimum clearance

Ref	LVX38-1	LVX50-1	LVX62-1	LVX74-1
L	73" (185.4cm)		91" (231.1cm)	

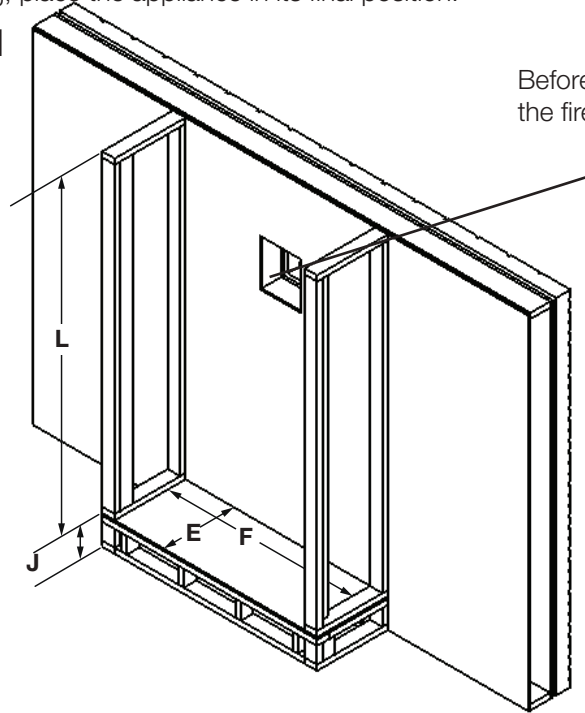
#### note:

The LVX series requires a minimum enclosure height, as illustrated (dimension L), measured from the bottom of the appliance. For temperature requirements, this area must be left unobstructed. Some venting configurations that require more vertical rise will require a larger enclosure to provide minimum vertical clearance between vent pipes and combustibles.

# rough framing - before appliance installation

Before framing your appliance, determine vent requirements before deciding the final location of the appliance. After rough framing, place the appliance in its final position.

## single-sided



Before framing the appliance, ensure to install the firestop first.

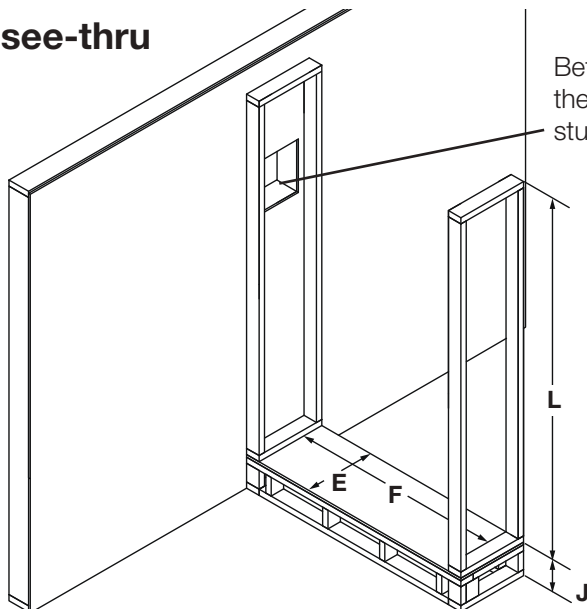
### note:

The LVX series requires a minimum enclosure height, as illustrated (dimension L), measured from the bottom of the appliance. For temperature requirements, this area must be left unobstructed. Some venting configurations that require more vertical rise will require a larger enclosure to provide minimum vertical clearance between vent pipes and combustibles.

Ref	LVX38-1	LVX50-1	LVX62-1	LVX74-1
E*	18" (45.7cm)			
F	53 13/16" (136.7cm)	65 13/16" (167.2cm)	77 13/16" (197.6cm)	89 13/16" (228.1cm)
J	Optional - Appliance does not need to be elevated above floor			
L	73" (185.4cm)		91" (231.1cm)	

\*Maximum of 21" (53.5cm)

## see-thru



Before framing the appliance, ensure to install the firestop first as it will not fit between the studs if installed after framing.

### note:

The LVX series requires a minimum enclosure height, as illustrated (dimension L), measured from the bottom of the appliance. For temperature requirements, this area must be left unobstructed. Some venting configurations that require more vertical rise will require a larger enclosure to provide minimum vertical clearance between vent pipes and combustibles.

Ref	LVX38-1	LVX50-1	LVX62-1	LVX74-1
E*	16 3/16" (41.1cm)			
F	53 13/16" (136.7cm)	65 13/16" (167.2cm)	77 13/16" (197.6cm)	89 13/16" (228.1cm)
J	Optional - Appliance does not need to be elevated above floor			
L	73" (185.4cm)		91" (231.1cm)	

\*Maximum of 21" (53.5cm)

## ⚠ WARNING

- Ensure to unpack all loose materials from inside the firebox prior to connecting the gas and electrical supply
- **If your appliance is supplied with a remote, ensure the remote receiver is in the “OFF” position prior to connecting the gas and electrical supply to the appliance.**
- For safe and proper operation of the appliance, follow the venting instructions exactly.
- **The appliance exhaust flue collar must be sealed using Mill Pac.** All exhaust and intake vent pipe joints must be sealed using red RTV high temp silicone sealant (W573-0002) (not supplied) or black high temp Mill Pac (W573-0007) (not supplied).
- If using pipe clamps to connect rigid vent components, a minimum of 3 screws must also be used to ensure the connection cannot slip off.
- Do not clamp the flexible vent pipe.
- Risk of fire, explosion, or asphyxiation. Improper support of the entire venting system may allow vent to sag and separate. Use vent run supports and connect vent sections per installation instructions.
- Risk of fire, do not allow loose materials or insulation to touch the vent pipe. Remove insulation to allow for the installation of the attic shield and to maintain clearances to combustibles.
- Do not fill the space between the vent pipe and enclosure with any type of material. Do not pack insulation or combustibles between ceiling firestops. Always maintain specified clearances around venting and firestop systems. Install wall shields and firestops as specified. Failure to keep insulation or other materials away from vent pipe may cause fire.
- **For gas stoves only:** If the appliance is installed directly on carpeting, vinyl tile, or other combustible material other than wood flooring, the appliance shall be installed on a metal or wood panel extending the full width and depth, unless otherwise tested.

**For optimum performance, it is recommended that all horizontal runs have a minimum of 1/4" (6mm) rise per foot using flexible venting.**

### note:

The vent shield is telescopic and must be adjusted to shield the first 30" (76.2cm) of vertical vent when applicable.

For vent shield installation, see section “vent shield installation”

Power vent system available with reduced vent pipe diameter and longer vent runs.

## 6.1 firestop spacer assembly

1. Install standoffs onto the firestop spacer (**Figure 1**).
2. Install one vent shield onto the standoff on one side of the firestop spacer (**Figure 2**).
3. Install the other vent shield on the opposite side of the firestop spacer (**Figure 3**).



#1 (x18)

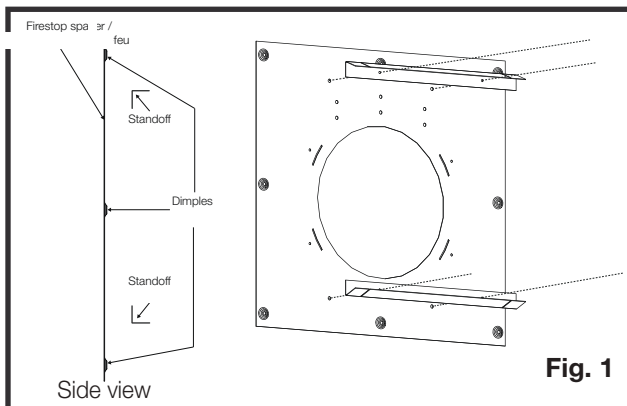


Fig. 1

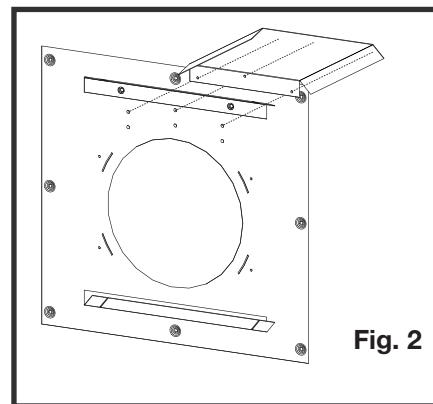


Fig. 2

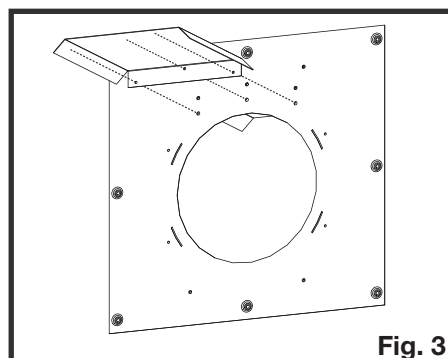
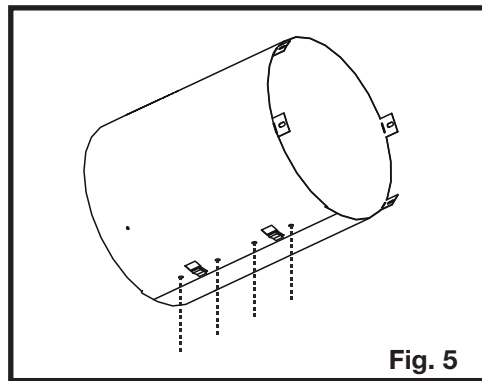
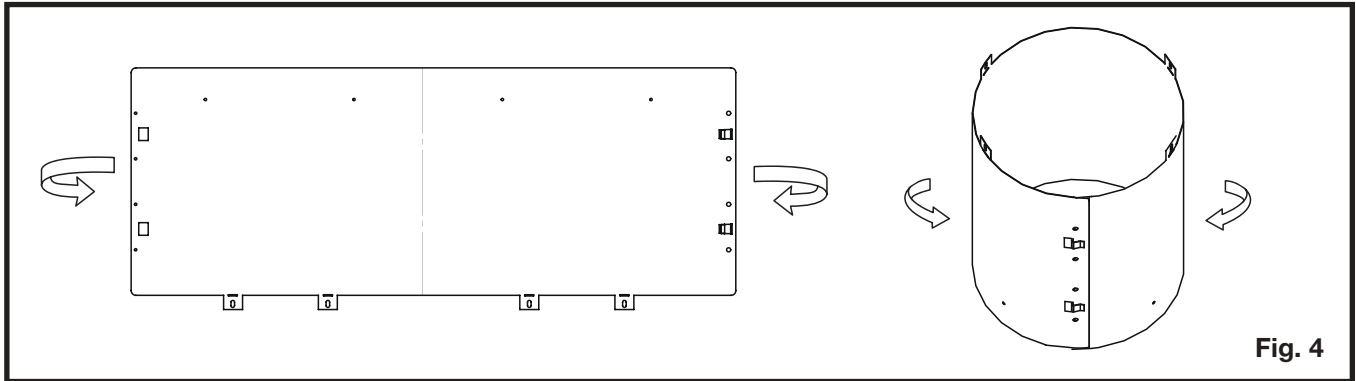


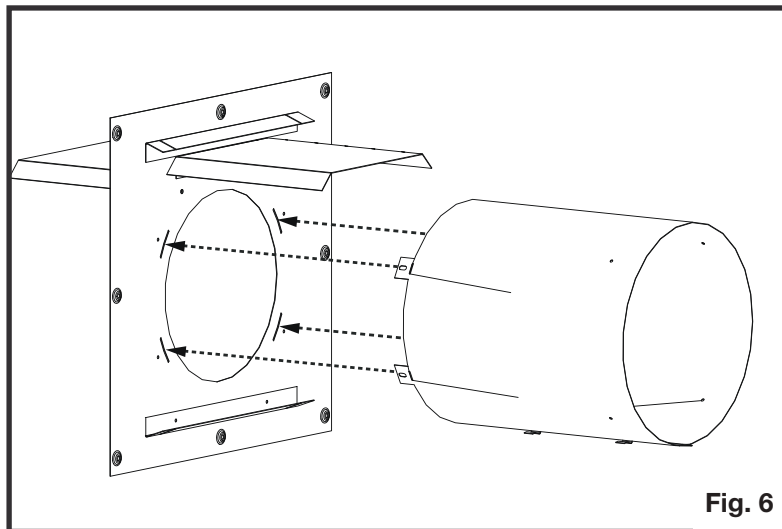
Fig. 3

## venting installation

1. Roll the vent sleeve as shown and ensure to clip the ends together (**Figure 4**).
2. Ensure both ends line up and secure ends with clip and fasteners (**Figure 5**).



3. Insert the vent sleeve tabs into the firestop spacer slots then bend the tabs over to secure to the firestop spacer along with 4 supplied fasteners (**Figure 6**).



**note:**

Note orientation of dimples and standoffs.



## 6.2 horizontal installation

### ⚠ WARNING

- The firestop assembly must be installed with the vent shield to the top.
- Terminals must not be recessed into a wall or siding more than the depth of the return flange of the mounting plate.

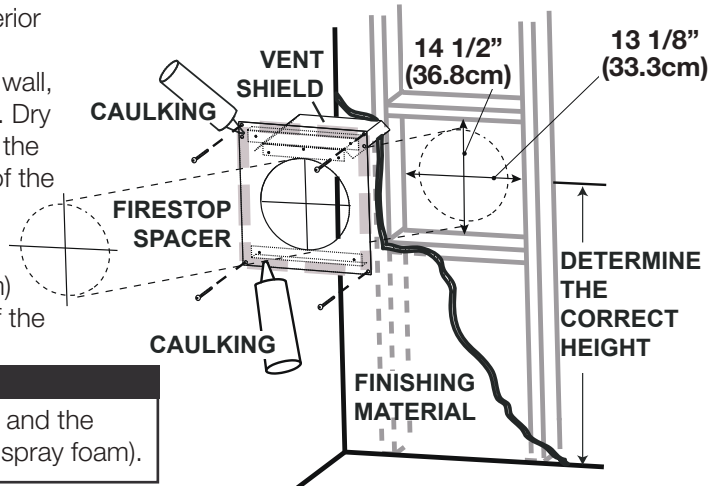
This application occurs when venting through an exterior wall. Having determined the correct height for the air terminal location, cut and frame a hole in the exterior wall, as illustrated, to accommodate the firestop assembly. Dry fit the firestop assembly before proceeding to ensure the brackets on the rear surface fit to the inside surface of the horizontal framing.

The length of the vent shield may be cut shorter for combustible walls that are less than 8 1/2" (215.9mm) thick but the vent shield must extend the full depth of the combustible wall.

#### note:

Do not fill the air space between the firestop spacer and the exterior wall with any type of insulating material (i.e. spray foam).

- Apply a bead of caulking (not supplied) around the outer edge of the hole of the firestop assembly, fit the firestop assembly to the hole and secure using 4 screws.
- Once the vent pipe is installed in its final position, apply red RTV silicone (W573-0002) (not supplied) between the pipe and the firestop.



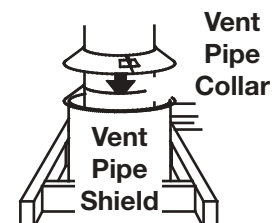
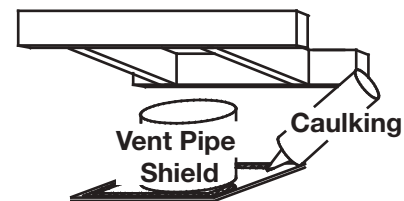
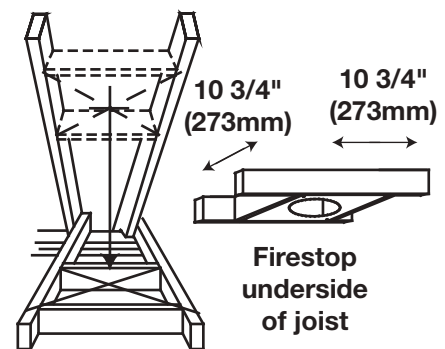
#### note:

The above is for illustration purposes only. Vents do not always pass through center of frame.

## 6.3 vertical installation

This application occurs when venting through a roof. Installation kits for various roof pitches are available from your authorized dealer / distributor. See the "accessories" section to order specific kits required.

- Determine the air terminal location, cut and frame a square opening, as illustrated, in the ceiling and the roof to provide the minimum 1" (25mm) clearance between the vent pipe and any combustible material. Try to center the vent pipe location midway between two joists to prevent having to cut them. Use a plumb bob to line up the center of the openings. A vent pipe shield will prevent any materials such as insulation, from filling up the 1" (25mm) air space around the pipe. Nail headers between the joist for extra support.
- Apply a bead of caulking (not supplied) to the framework or to the Wolf Steel vent pipe shield plate or equivalent (in the case of a finished ceiling), and secure over the opening in the ceiling. A firestop must be placed on the bottom of each framed opening in a roof or ceiling that the venting system passes through. Apply a bead of caulking all around and place a firestop spacer over the vent shield to restrict cold air from being drawn into the room or around the fireplace. Ensure that both spacer and shield maintain the required clearance to combustibles. Once the vent pipe is installed in its final position, apply red RTV silicone (W573-0002) (not supplied) between the pipe and the firestop assembly.
- In the attic, slide the vent pipe collar down to cover up the open end of the shield and tighten. This will prevent any materials, such as insulation, from filling up the 1" (25mm) air space around the pipe.

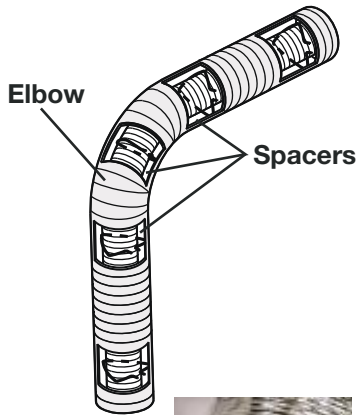


# venting installation

## 6.4 using flexible vent components

### ! WARNING

- Do not allow the inner flex pipe to bunch up on horizontal or vertical runs and elbows. Keep it pulled tight.
- Spacers are attached to the inner flex pipe at predetermined intervals to maintain an even air gap to the outer flex pipe. This gap is required for safe operation. A spacer is required at the start, middle, and end of each elbow to ensure this gap is maintained. These spacers must not be removed.



For safe and proper operation of the appliance, follow the venting instructions exactly.

The vent system must be supported approximately every 3 feet (0.9m) for both vertical and horizontal runs. Use Wolf Steel Ltd. support ring assembly or equivalent noncombustible strapping to maintain the minimum clearance to combustibles for both vertical and horizontal runs.

All inner flex pipe and outer flex pipe joints may be sealed using high temperature red RTV silicone W573-0002 (not supplied) or the high temperature sealant W573-0007 Mill Pac (not supplied). However, the high temperature sealant W573-0007 Mill Pac (not supplied) must be used on the joint connecting the inner flex pipe and the exhaust flue collar.

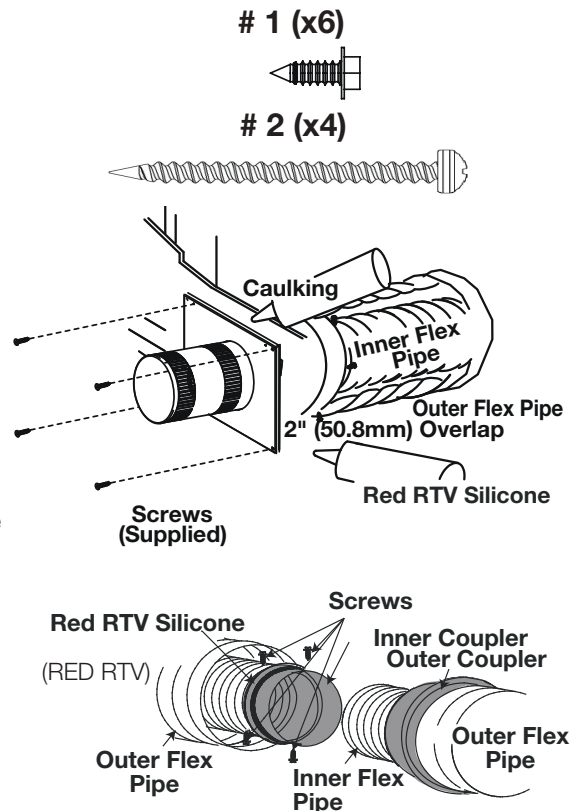
**Use only approved flexible vent pipe kits marked:**



**“Wolf Steel Approved Venting” or “E2” as identified by the stamp only on the flex pipes.**

### 6.4.1 horizontal air terminal installation

- Stretch the inner flex pipe to the required length taking into account the additional length needed for the finished wall surface. Apply a heavy bead of the red RTV silicone (W573-0002) (not supplied) to the inner sleeve of the air terminal. Slip the vent pipe a minimum of 2" (50.8mm) over the inner sleeve of the air terminal and secure with a minimum of 3 screws.
- Using the outer flex pipe, slide over the outer combustion air sleeve of the air terminal and secure with a minimum of 3 screws. Seal using red RTV silicone (W573-0002) (not supplied).
- Insert the vent pipes through the firestop maintaining the required clearance to combustibles. Holding the air terminal (lettering in an upright, readable position), secure to the exterior wall and make weather tight by sealing with caulking (not supplied).
- If more vent pipe needs to be used to reach the fireplace, couple them together, as illustrated. The vent system must be supported approximately every 3 feet (0.9m) for both vertical and horizontal runs. Use non-combustible strapping to maintain the minimum clearance to combustibles.



**The air terminal mounting plate may be recessed into the exterior wall or siding no greater than the depth of its return flange.**

## 6.5 vertical air terminal installation

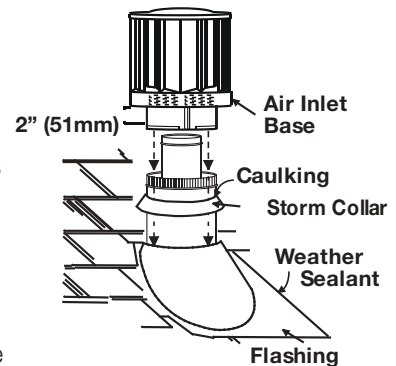
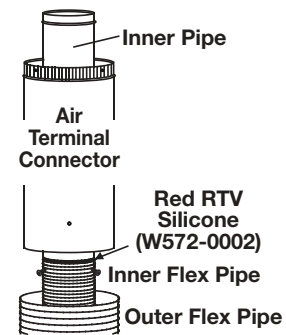
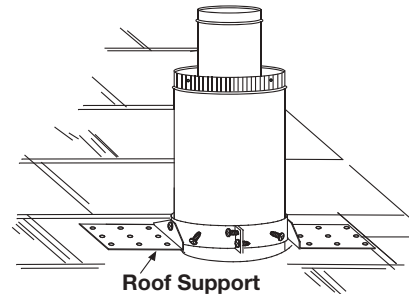
### ! WARNING

- Maintain a minimum 2" (51mm) space between the air inlet base and the storm collar.

#### note:

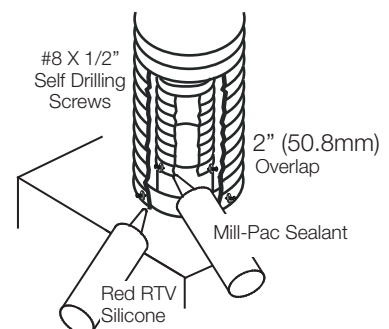
Fastening hardware provided with appropriate roof terminal and liner kits.

- Fasten the roof support to the roof using 6 screws. The roof support is optional. In this case, the venting is to be adequately supported using either an alternate method suitable to the authority having jurisdiction or the optional roof support.
- Stretch the inner flex pipe to the required length. Slip the inner flex pipe a minimum of 2" (51mm) over the inner pipe of the air terminal connector and secure with a minimum of three screws, when 4/7, 5/8 and 3/5 venting is used and a minimum of six screws when using 8/10 or 8/11 venting. Seal using a heavy bead of red RTV silicone sealant (W573-0002) (not supplied).
- Repeat using the outer flex pipe, using a heavy bead of red RTV silicone sealant (W573-0002) (not supplied) and a minimum of three screws, when 4/7, 5/8 and 3/5 venting is used and a minimum of six screws when using 8/10 or 8/11 venting.
- Thread the air terminal connector / vent pipe assembly down through the roof. The air terminal must be positioned vertically and plumb. Attach the air terminal connector to the roof support, ensuring that the top of the air terminal is 16" (40.6cm) above the highest point that it penetrates the roof.
- Remove nails from the shingles, above and to the sides of the air terminal connector. Place the flashing over the air terminal connector leaving a min. 3/4" (19mm) of the air terminal connector showing above the top of the flashing. Slide the flashing underneath the sides and upper edge of the shingles. Ensure that the air terminal connector is properly centered within the flashing, giving a 3/4" (19mm) margin all around. Fasten to the roof. Do not nail through the lower portion of the flashing. Make weather-tight by sealing with caulking. Where possible, cover the sides and top edges of the flashing with roofing material.
- Aligning the seams of the terminal and air terminal connector, place the terminal over the air terminal connector making sure the vent pipe goes into the hole in the terminal. Secure with a minimum of three screws, when 4/7, 5/8 and 3/5 venting is used and a minimum of six screws when using 8/10 or 8/11 venting.
- Apply a heavy bead of weatherproof caulking 2" (51mm) above the flashing. Install the storm collar around the air terminal and slide down to the caulking. Tighten to ensure that a weather-tight seal between the air terminal and the collar is achieved.
- If more vent pipe needs to be used to reach the appliance, see "**horizontal air terminal installation**" section.



### 6.5.1 appliance vent connection

- Install the inner flex pipe to the appliance. Secure with a minimum of three screws when installing 3"/5", 4"/7" or 5"/8" venting, or six screws when installing 8"/10" or 8"/11" venting. Seal the joint and screw holes using Mill Pac sealant (W573-0007) (not supplied).
- Install the outer flex pipe to the appliance. Secure with a minimum of three screws when installing 3"/5", 4"/7" or 5"/8" venting, or six screws when installing 8"/10" or 8"/11" venting. Seal the joints using high temperature red RTV silicone (W573-0002) (not supplied).



# venting installation

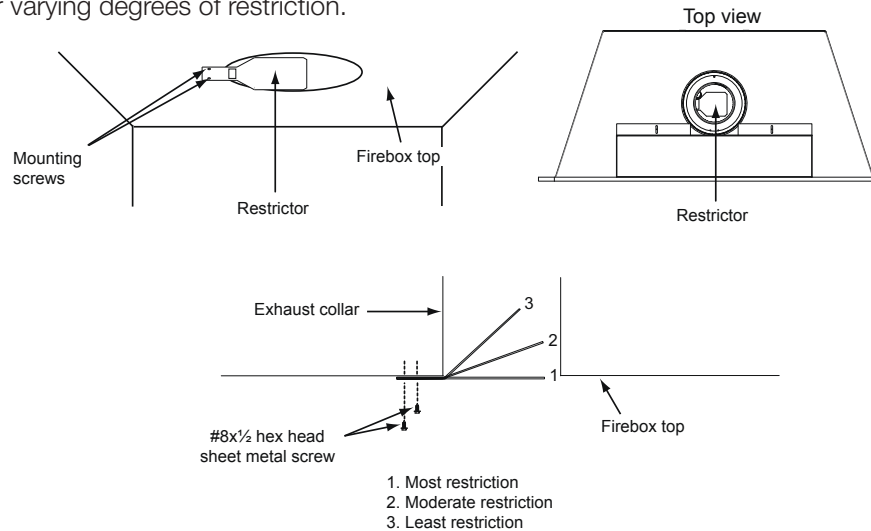
## 6.6 restricting vertical vents

Vertical installations may display a very active flame. If this appearance is not desirable, the exhaust outlet may be restricted with a Wolf Steel approved restrictor kit. This kit is not recommended for short vertical vent runs.

Depending on the model and/or year of your appliance, mounting holes may not exist.

### 6.6.1 LVX38-1 / LVX50-1

- A. If mounting holes exist, remove the screws from the firebox top, align the restrictor plate as illustrated and secure.
- B. If mounting holes do not exist, align the restrictor top plate as illustrated and secure using the two screws (supplied).
- C. Ensure the plate will pivot at the slot up into the exhaust outlet.
- D. Depending on the amount of restriction desired, the restrictor plate can be left flat for most restriction or bent up for varying degrees of restriction.



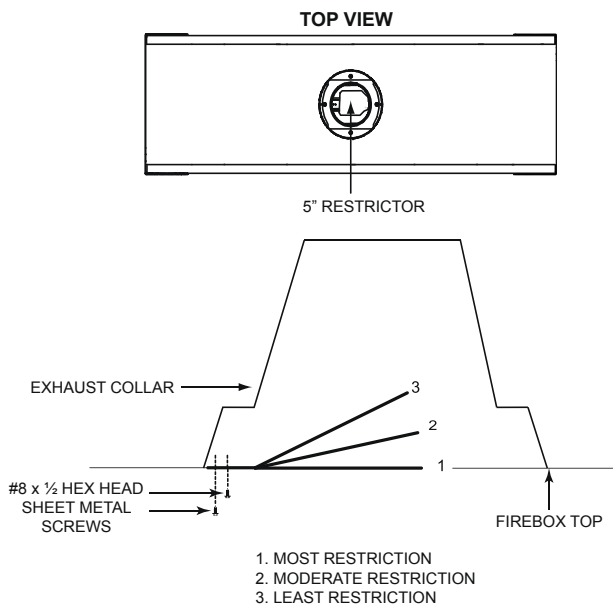
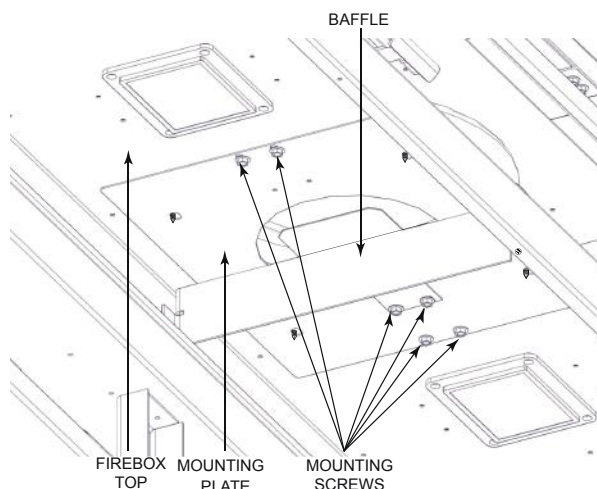
### 6.6.2 LVX62-1 / LVX74-1

- A. Secure 5" restrictor to mounting plate using 2 screws (supplied).
- B. Remove baffle by removing 1 screw from firebox. Set screw and baffle aside.
- C. Align mounting plate clearance holes (4) over existing screws protruding into firebox. For ease of access, ensure restrictor and mounting plate are installed with screws installed in Step A facing upwards (into exhaust collar).
- D. Install 4 self-drilling screws (supplied) (2 per side).

**note:**

For ease of installation, the mounting plate was designed with 2 fixed holes and 2 slotted holes.

- E. Reinstall baffle using screw removed in step B.



## 6.7 vent shield installation

**important:**

For ease of installation, the front frame can be removed. The front frame must be reinstalled prior to installing the nailing tabs.

**note:**

The vent shield is telescopic and must be adjusted to shield the first 30" of vertical vent always used.

1. Loosen the fasteners on the vent shield assembly. DO NOT DISCARD FASTENERS (Figure 1).
2. Adjust vent shield to its maximum vertical (Figure 2).
3. Tighten the fasteners to lock the vent shield height (Figure 3).

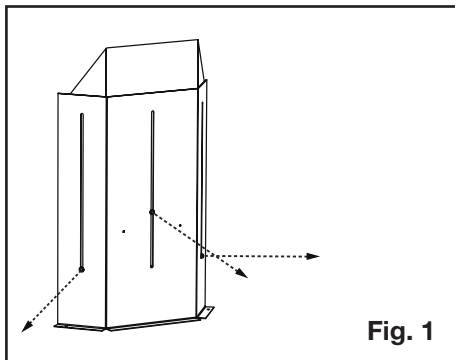


Fig. 1

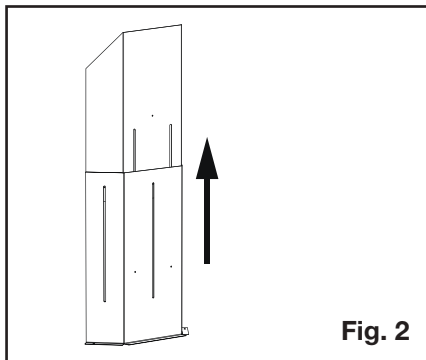


Fig. 2

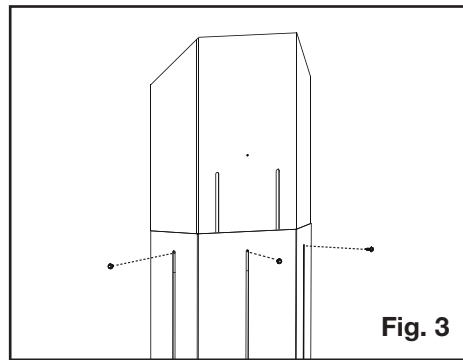


Fig. 3

4. Remove the fasteners as shown (Figure 4). DO NOT DISCARD FASTENERS
5. Align the vent shield with the holes and replace above screws (Figure 5).
6. Secure the vent shield with two fasteners (supplied) to the front upper frame (Figure 6).

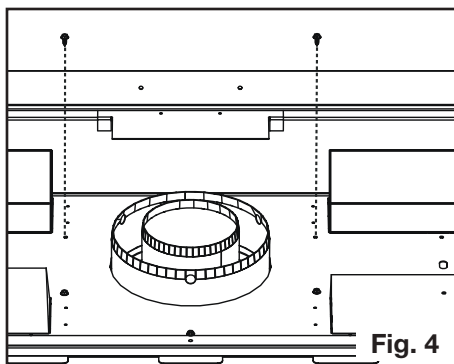


Fig. 4

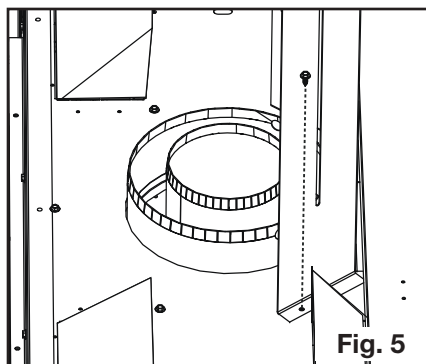


Fig. 5

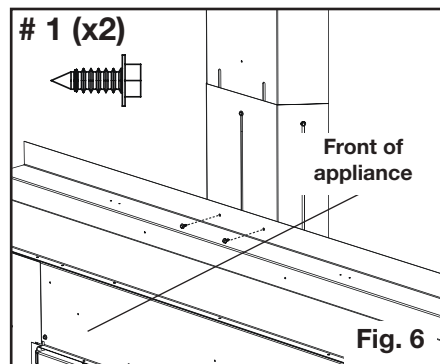
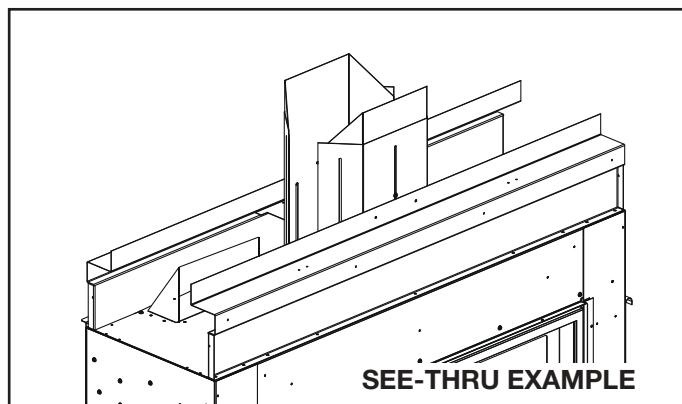


Fig. 6

FOR SEE-THRU APPLIANCES, REPEAT STEPS WITH THE OPPOSITE SIDE (2 vent shields required)



SEE-THRU EXAMPLE

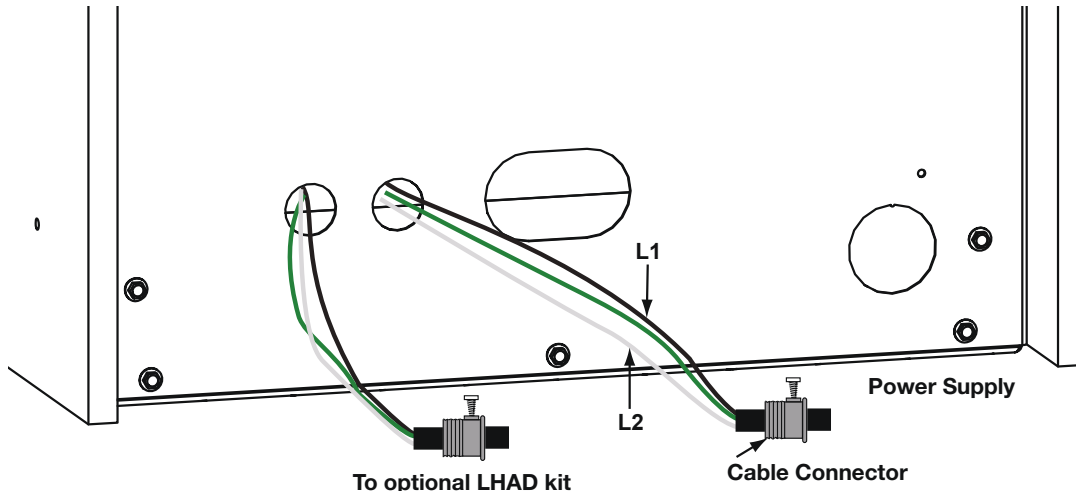
## 7.0 electrical information

### 7.1 hard wiring connection

It is necessary to hard wire this appliance.

Permanently framing the appliance with an enclosure, requires the appliance junction box to be hard wired. This appliance must be electrically connected and grounded in accordance with local codes. In the absence of local codes, use the current CSA C22.1 Canadian Electrical Code in Canada or the ANSI/NFPA 70-1996 National Electrical Code in the United States.

### 7.2 receptacle wiring diagram



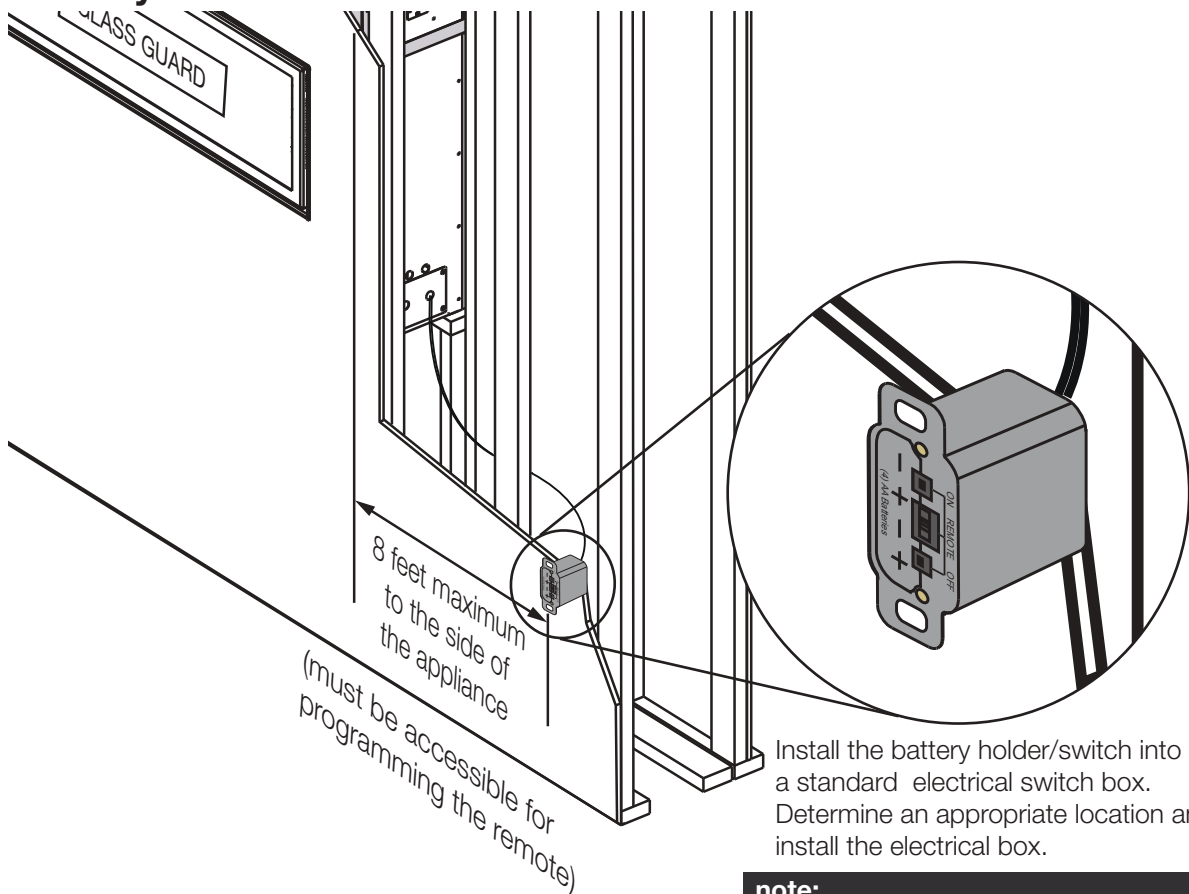
### 7.3 in the event of a power failure

If the battery holder/switch is equipped with batteries, the appliance will still have ON/OFF functions during a power failure. Refer to "operation" section in the Owner's manual when communications between battery holder/switch and remote have been lost. The battery holder/switch will emit a "beep" sound to confirm programming has been successful once power is restored. During a power failure, if the fireplace was on, the flame height will stay at the setting prior to the failure. If off when the failure occurs and then turned on, the flame height will come on at "HI". The flame height can then be controlled by the remote.

In most cases, your appliance will operate with simple functions available until power is restored. All other electrical features / accessories will not work during a power failure.



### 7.4 battery holder/switch installation

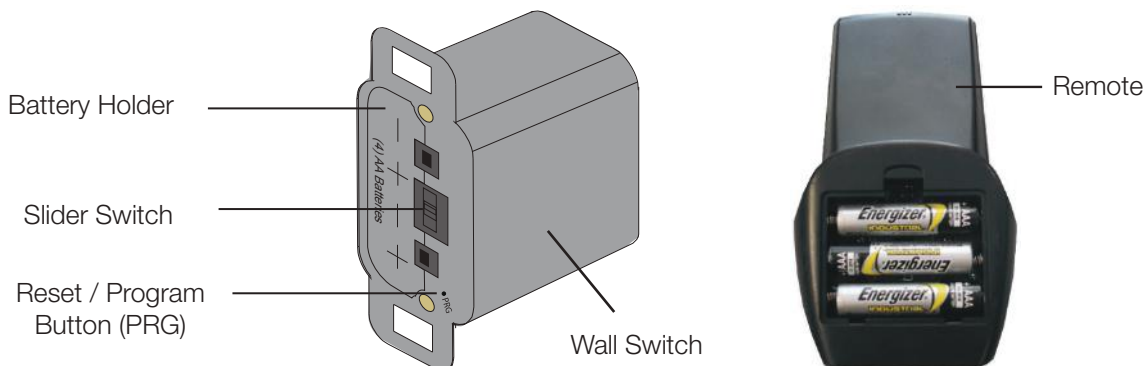


**note:**  
Ensure the 3 position slider switch is in the "REMOTE" position (middle).

### 7.5 initializing the battery holder/switch for the first time

**note:**  
The initializing process must be completed within 10 seconds of pressing the reset / program (PRG).

- A. Install the 4 AA batteries into the holder, note the polarity of the batteries and insert as indicated on the cover (+/-).
- B. Ensure the 3 position slider switch is switched to the "REMOTE" position (middle position).
- C. Press the reset/programming button, use a small object such as a paper clip in order to reach the button marked PRG, as shown in the illustration below.
- D. The battery holder will beep 3 times to indicate that it's ready to synchronize with the remote.
- E. Install the 3 AAA batteries into the remote, as shown in the photograph below, then press the ON button, The battery holder will beep 4 times to indicate that the remote's command is accepted.



## electrical information

### 7.6 wiring diagram

#### **WARNING**

- Do not wire 110 volts to the valve or wall switch.

#### **note:**

This appliance is equipped with a three-prong (grounding) plug for protection against shock hazard and should be connected into a properly grounded circuit. Do not cut or remove the grounding prong from the plug.

### 7.7 eFire controller application

When fully equipped, the eFIRE application allows you to create every imaginable color, selecting the one that fits your current mood, or your décor with ease, the simple colour wheel tool swiftly scrolls through the full color spectrum. Napoleon's eFIRE app controls every function of your fireplace including; on/off, flame height and a timer to create a schedule for your fireplace that works for you.

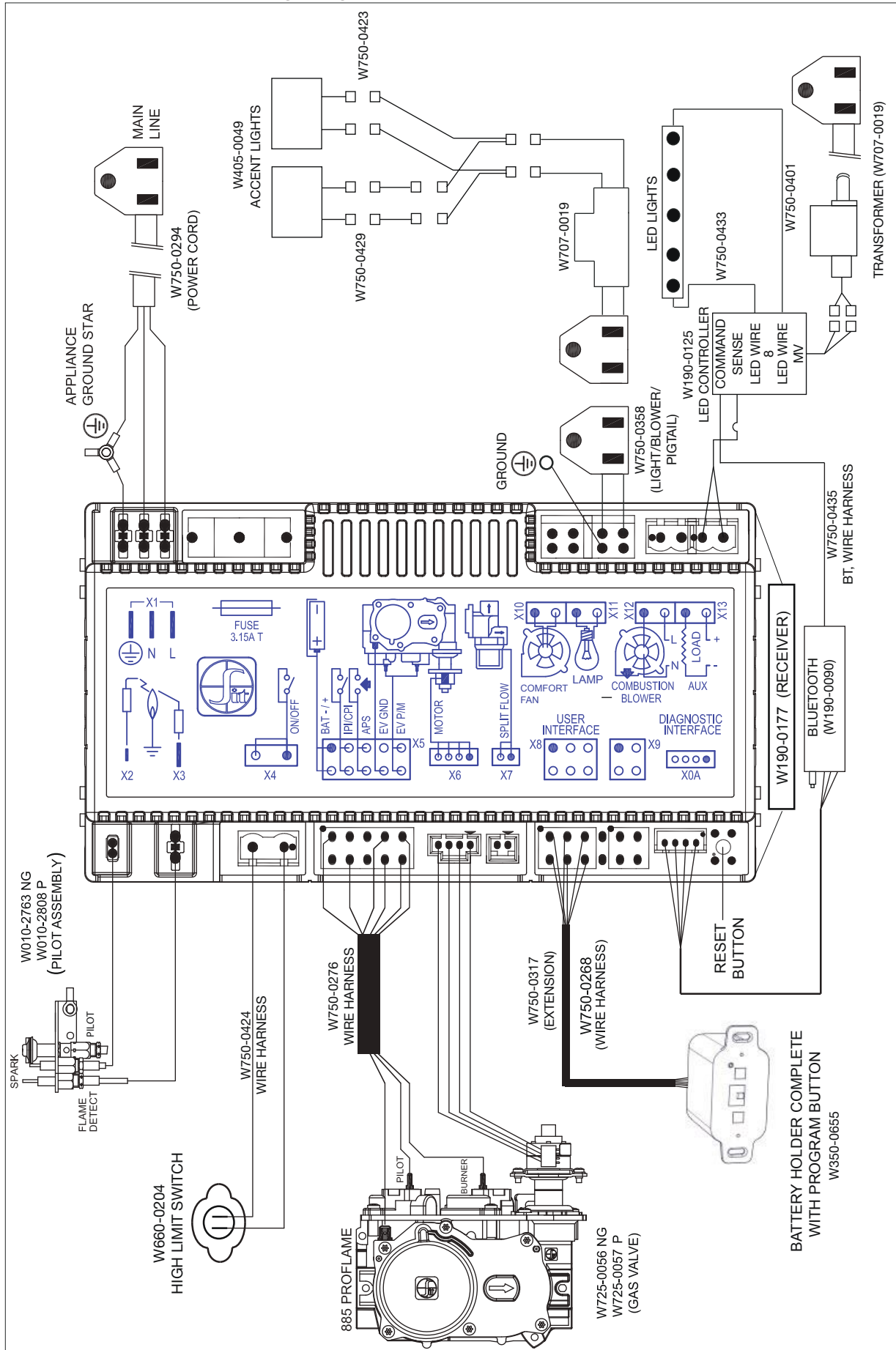
Using the instructions on the eFIRE controller application website <http://napoleon.com/efire>, install the app and enjoy the features the eFIRE Controller app offers.

#### **note:**

The remote control is considered the master control for the appliance and can always be used to turn the appliance off (for example, in the event the user who's eFIRE controller app was controlling the appliance leaves the home).

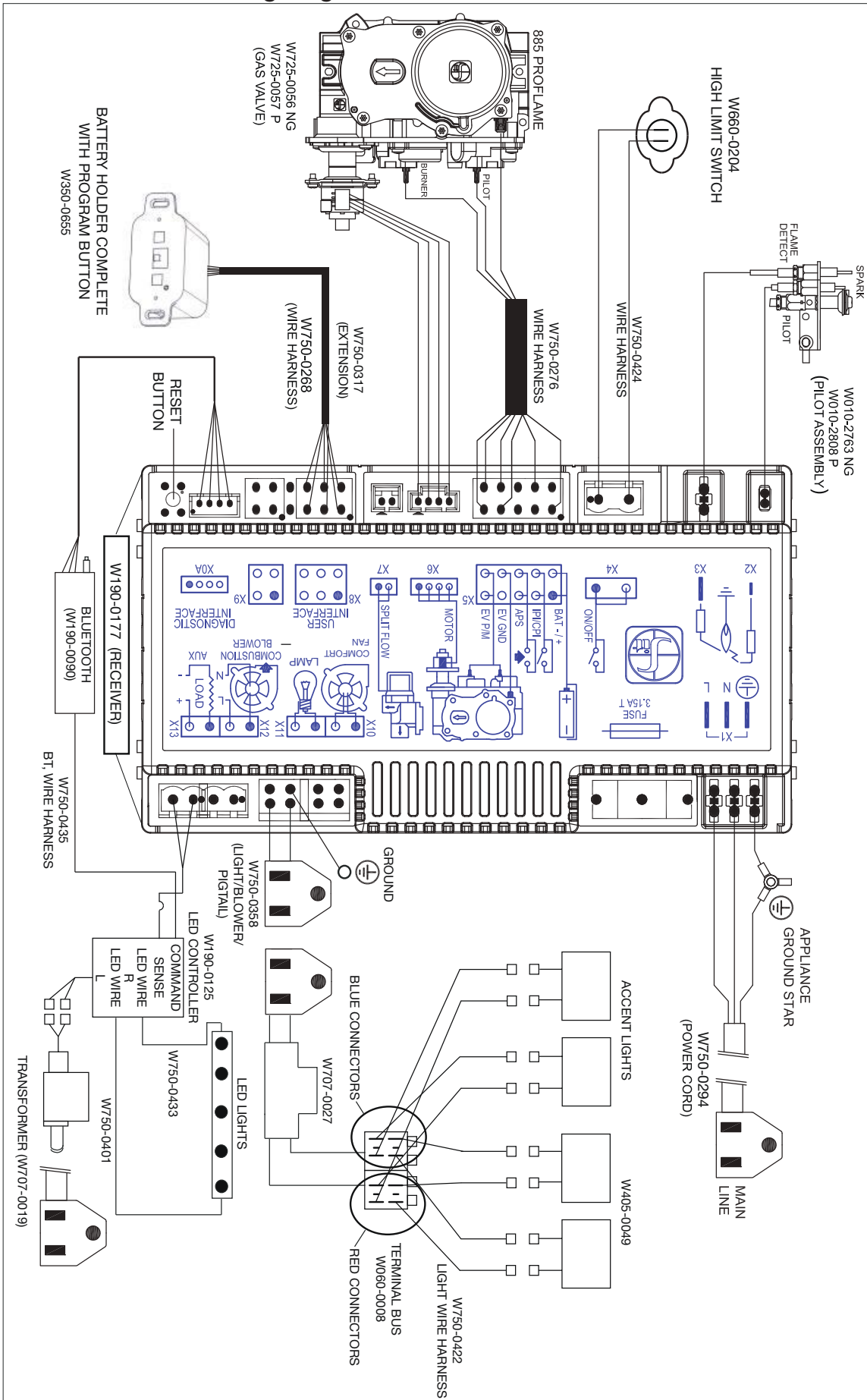


7.7.1 LVX38-1/ LVX50-1 wiring diagram



# electrical information

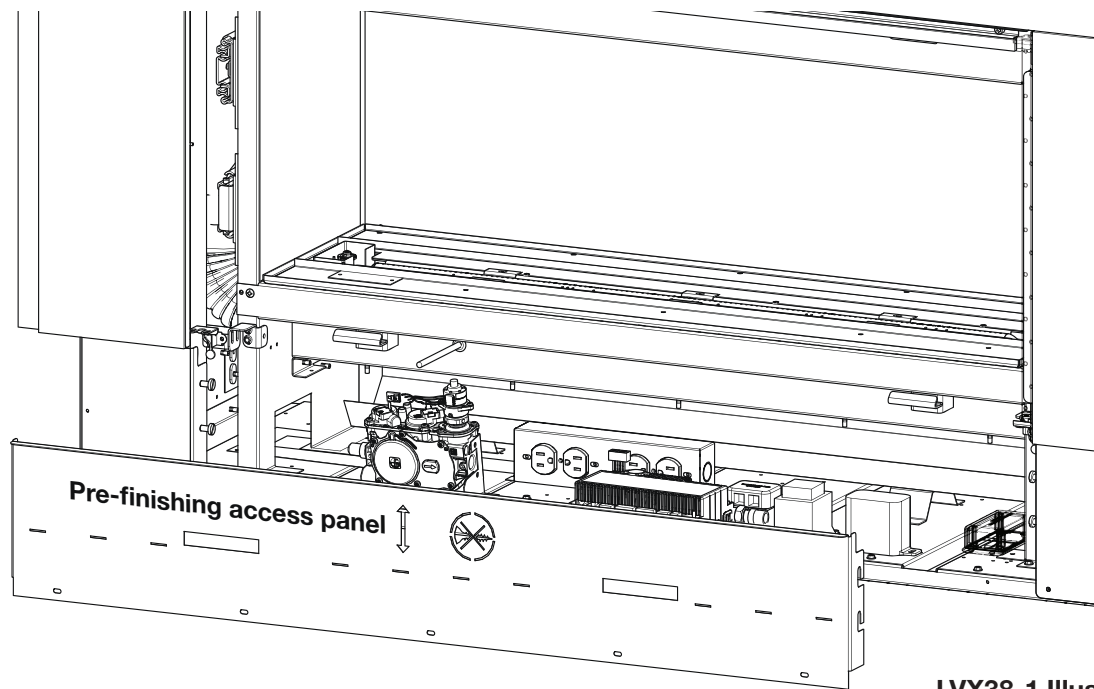
## 7.7.2 LVX62-1/ LVX74-1 wiring diagram



## 7.8 access panel

### **!** WARNING

- Do not use this appliance if any part has been under water. Call a qualified service technician immediately to have the appliance inspected for damage to the electrical circuit.
- Risk of electrical shock or explosion. Do not wire 110V to the valve or to the appliance wall switch. Incorrect wiring will damage controls.
- All wiring should be done by a qualified electrician and shall be in compliance with local codes. In the absence of local codes, use the current CSA22.1 Canadian Electric Code in Canada or the current National Electric Code ANSI/NFPA NO. 70 in the United States.
- Always light the pilot whether for the first time or if the gas supply has run out, with the glass door opened or removed.



**LVX38-1 Illustrated**

Before finishing in the appliance, test the operation using the remote control, cycling it through all of its different modes, see "operation" section in the owner's manual. Once finished in, access to the control components can only be done through the inside of the appliance.

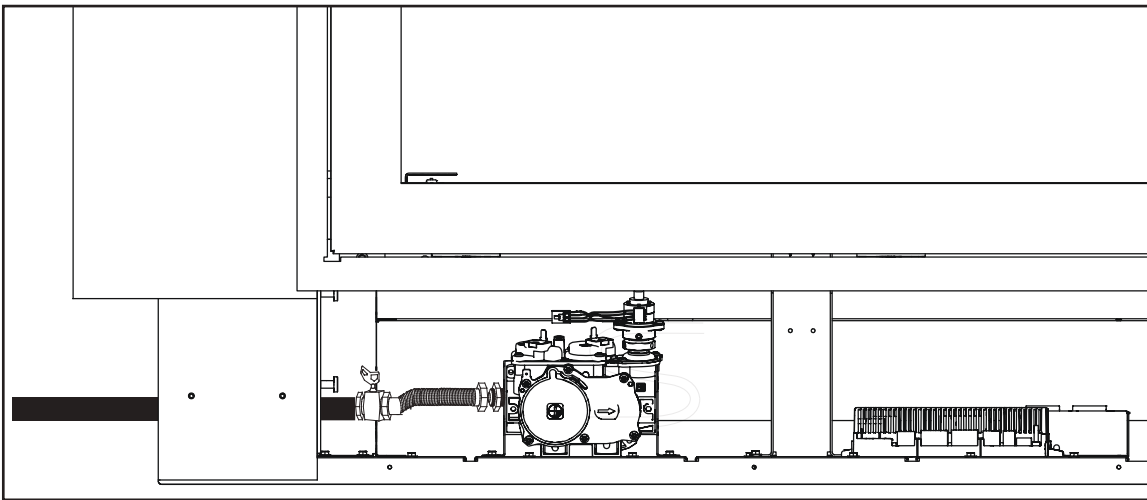
## 8.0 gas installation

### **! WARNING**

- Risk of fire, explosion, or asphyxiation. Ensure there are no ignition sources such as sparks or open flames.
- Support gas control when attaching gas supply pipe to prevent damaging gas line.
- Always light the pilot whether for the first time or if the gas supply has run out with the glass door opened or removed. Purging of the gas supply line should be performed by a qualified service technician. Ensure that a continuous gas flow is at the burner before closing the door. Ensure adequate ventilation. For gas and electrical locations, see “dimensions” section.
- All gas connections must be contained within the appliance when complete **(gas fireplaces only)**.
- High pressure will damage valve. Disconnect gas supply piping before testing gas line at test pressures above 1/2 PSIG.
- Valve settings have been factory set, do not change.

#### **Installation and servicing to be done by a qualified installer.**

- Move the appliance into position and secure.
- If equipped with a flex connector, the appliance is designed to accept a 1/2” (13mm) gas supply. Without the connector, it is designed to accept a 3/8” (9.5mm) gas supply. The appliance is equipped with a manual shut off valve to turn off the gas supply to the appliance.
- Connect the gas supply in accordance to local codes. In the absence of local codes, install to the current CAN/CSA-B149.1 Installation Code in Canada or to the current National Fuel Gas Code, ANSI Z223.1 / NFPA 54 in the United States.
- When flexing any gas line, support the gas valve so that the lines are not bent or kinked.
- The gas line flex-connector should be installed to provide sufficient movement for shifting the burner assembly on its side to aid with servicing components.
- Check for gas leaks by brushing on a soap and water solution. **Do not use open flame.**



#### **note:**

Connect the gas supply to the 1/2” (13mm) shut off and flex connector (supplied). Ensure gas supply is secured.

After installing the electrical wiring and gas lines, ensure to test the appliance before finishing the framing and finishing the appliance.

Before finishing in the appliance test the operation using the remote control, cycling it through all of its different modes, see “operation” section in the Owner’s manual. Should troubleshooting be required, access to the controls can be made through the pre-finishing access panel. All other functions, excluding the burner operation, will not operate during the event of a power failure.

## **! WARNING**

- If you do not follow these instructions exactly, a fire or explosion may result causing property damage, personal injury, or loss of life.
- If applicable, always light the pilot whether for the first time or if the gas supply has run out with the glass door opened or removed.

Ensure that a continuous gas flow is at the burner before installing the door. When lit for the first time, the appliance will emit an odor for a few hours. This is a normal temporary condition caused by the “burn-in” of paints and lubricants used in the manufacturing process and will not occur again. After extended periods of non-operation, such as, following a vacation or warm weather season, the appliance may emit a slight odor for a few hours. This is caused by dust particules in the heat exchanger burning off. In both cases, open a window to sufficiently ventilate the room.

### **FOR YOUR SAFETY READ BEFORE LIGHTING**

- Do not turn on if children or other at risk individuals are near the appliance.
- This appliance is equipped with an ignition device which automatically lights the pilot. Do not try to light the pilot by hand.
- Before operating, smell all around the appliance area for gas and next to the floor because some gas is heavier than air and will settle on the floor.
- Do not use this appliance if any part has been under water. Immediately call a qualified service technician to inspect the appliance and replace any part of the control system and any gas control which has been underwater.

### **WHAT TO DO IF YOU SMELL GAS**

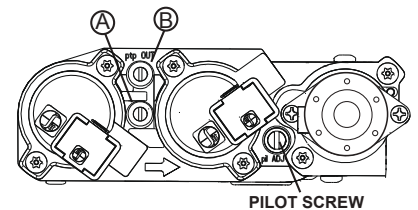
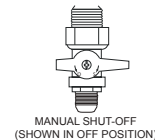
- Turn off all gas to the appliance.
- Open windows.
- Do not try to light any appliance.
- Do not touch any electric switch; do not use any phone in your building
- Immediately call your gas supplier from a neighbour's phone. Follow the gas supplier's instructions.
- If you cannot reach your gas supplier, call the fire department.

### **LIGHTING INSTRUCTIONS**

#### **note:**

This appliance is equipped with an ignition device which automatically lights the pilot. Do not try to light the pilot by hand.

- A.** Stop! Read the above safety information on this label.
- B.** Remove batteries from the transmitter and set thermostat to lowest setting, if equipped.
- C.** Turn off all electrical power to the appliance.
- D.** Open the glass door, if equipped.
- E.** Turn the manual shut-off valve clockwise to the “OFF” position. (Shut-off valve is located on the flex connector).
- F.** Wait five (5) minutes to clear out any gas. If you smell gas including near the floor, **STOP!** Follow the instructions above in the “WHAT TO DO IF YOU SMELL GAS” section. If you don't smell gas; close the glass door and go to the next step.
- G.** Turn the manual shut-off valve counter clockwise to the “ON” position.
- H.** Turn on all electrical power to the appliance and re-install the batteries into the transmitter. Set thermostat to desired setting, if equipped.
- I.** Turn on the remote wall switch to the appliance.
- J.** If the appliance will not operate, follow instructions “TO TURN OFF GAS” and call your service technician or gas supplier.



### **TO TURN OFF GAS**

- A.** Set thermostat to lowest setting, if equipped.
- B.** Turn off the remote wall switch to the appliance.
- C.** Turn off all electric power to the appliance if service is to be performed.
- D.** Turn manual shutoff valve clockwise to the “OFF” positon. Do not force.

# operation

## 9.1 pilot-on-demand

This appliance is equipped with an “On Demand” intermittent pilot ignition system (IPI) which also includes a continuous pilot ignition (CPI) mode with an integrated seven day timer. This system minimizes your appliance’s carbon footprint as well as reducing its annual fuel consumption and operating costs.

In IPI operation, the pilot will ignite prior to the main burner, when the appliance is turned on using a switch, remote or from a call for heat with the thermostat (if equipped). Once the appliance is turned off (or the call for heat is satisfied), the main burner and pilot flame will shut down.

The continuous (CPI) mode is intended to enhance the performance of the appliance during the startup phase in colder climates and extreme weather by keeping the system warm when the main burner is not in use. However, the timer feature provides the convenience that the appliance automatically switches off the pilot when the appliance has not been used for seven days to save unnecessary fuel consumption.

When the CPI function is turned on, the pilot will remain on after the main burner is turned off. A timer will then begin the countdown for approximately seven days before shutting off the pilot if the appliance is not used. This countdown will reset anytime the appliance main burner is used. Therefore, if the appliance is regularly used day to day, the pilot will remain on. However, this system does not require the user to remember to turn the pilot off as summer approaches and avoids unnecessary fuel consumption while still readily turned back on when the cold weather returns.

Your appliance may be equipped with an ACS or remote control device which enables you to select IPI or CPI modes.

If your appliance is equipped with an ACS switch, it has the option to change modes. If installed with the blue wire facing up, flipping the switch UP turns on the continuous pilot with timer and flipping the switch DOWN turns on the intermittent pilot ignition. If installed with the white wire facing up, the opposite is true.

If your appliance is equipped with a remote control device capable of selecting IPI / CPI modes, refer to remote operating instructions.

In order to start your pilot, turning the main burner on with the switch, remote or thermostat and then turning it off will reactivate the continuous pilot mode and reset the seven day timer.

For further information, refer to [www.napoleon.com/pilotondemand](http://www.napoleon.com/pilotondemand).

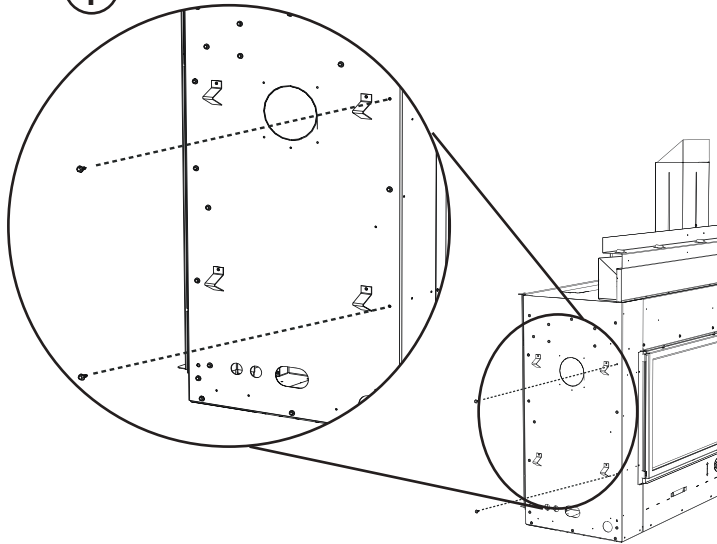


# 10.0 nailing tab installation

## important:

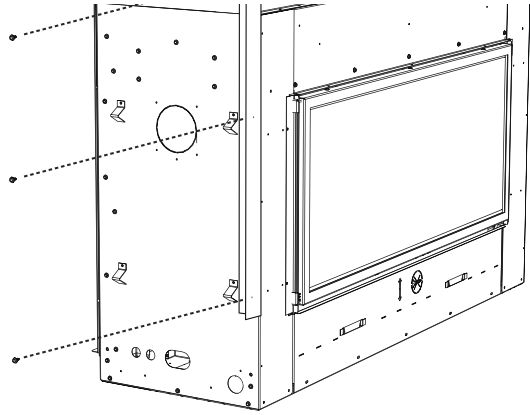
If the front frame was removed, it must be reinstalled prior to installing the nailing tabs.

1



REMOVE THE SCREWS FROM THE APPLIANCE.  
**DO NOT DISCARD.**

2



ALIGN THE NAILING TAB WITH THE HOLES ON THE APPLIANCE,  
SECURE WITH THE SCREWS FROM STEP 1.

3

# 1 (x2)



SECURE WITH SCREW SUPPLIED IN THE MANUAL BAGGIE TO  
THE UPPER FRONT FRAME

TO INSTALL NAILING TABS FOR SEE-THRU APPLIANCES, REPEAT STEPS WITH THE OPPOSITE SIDE.

## note:

See “venting”, “electrical information” and “gas installation” sections prior to finish framing.

# 11.0 finish framing - after appliance installation

## 11.1 framing with Dynamic Heat Control™

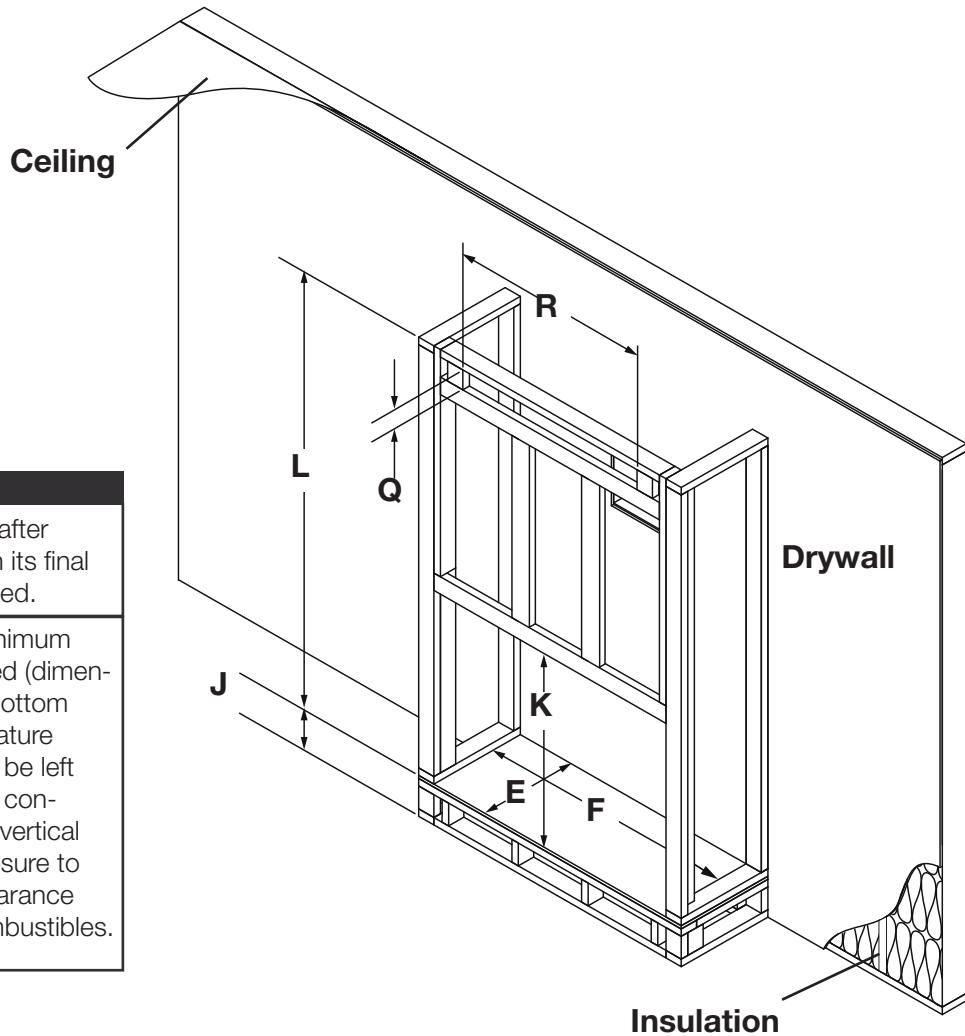
**note:**

Appliances can be built in with combustible framing and finishing unless stated.

There are various methods to ventilate the enclosure. Refer to “Dynamic Heat Control™” and “installation planning” sections.

The appliance must be installed at this point of framing. Appliance is not shown to better illustrate finish framing.

### single-sided flush



**note:**

Finish framing **must** be built after appliance has been placed in its final position and venting connected.

The LVX series requires a minimum enclosure height, as illustrated (dimension L), measured from the bottom of the appliance. For temperature requirements, this area must be left unobstructed. Some venting configurations that require more vertical rise will require a larger enclosure to provide minimum vertical clearance between vent pipes and combustibles.

Option 2 illustrated (appliance not shown)

### minimum framing

Ref	LVX38-1	LVX50-1	LVX62-1	LVX74-1
K	39 15/16" (101.4cm)			
E**	18" (45.7cm)			
F	53 13/16" (136.7cm)	65 13/16" (167.2cm)	77 13/16" (197.6cm)	89 13/16" (228.1cm)
J	Optional - Appliance does not need to be elevated above floor			
L	73" (185.4cm)		91" (231.1cm)	
Q*	2" min and 3" max			
(Q x R)*	80 sq. in.		160 sq. in.	

\* ONLY APPLICABLE TO OPTION 2 AND 3 - Opening **must** be centered in enclosure on appliance. Dimensions represent finished sizes and where applicable should be adjusted to include finish material thickness.

\*\*Max. 21" (53.5cm).



# finish framing - after appliance installation

## single-sided recessed

### ! WARNING

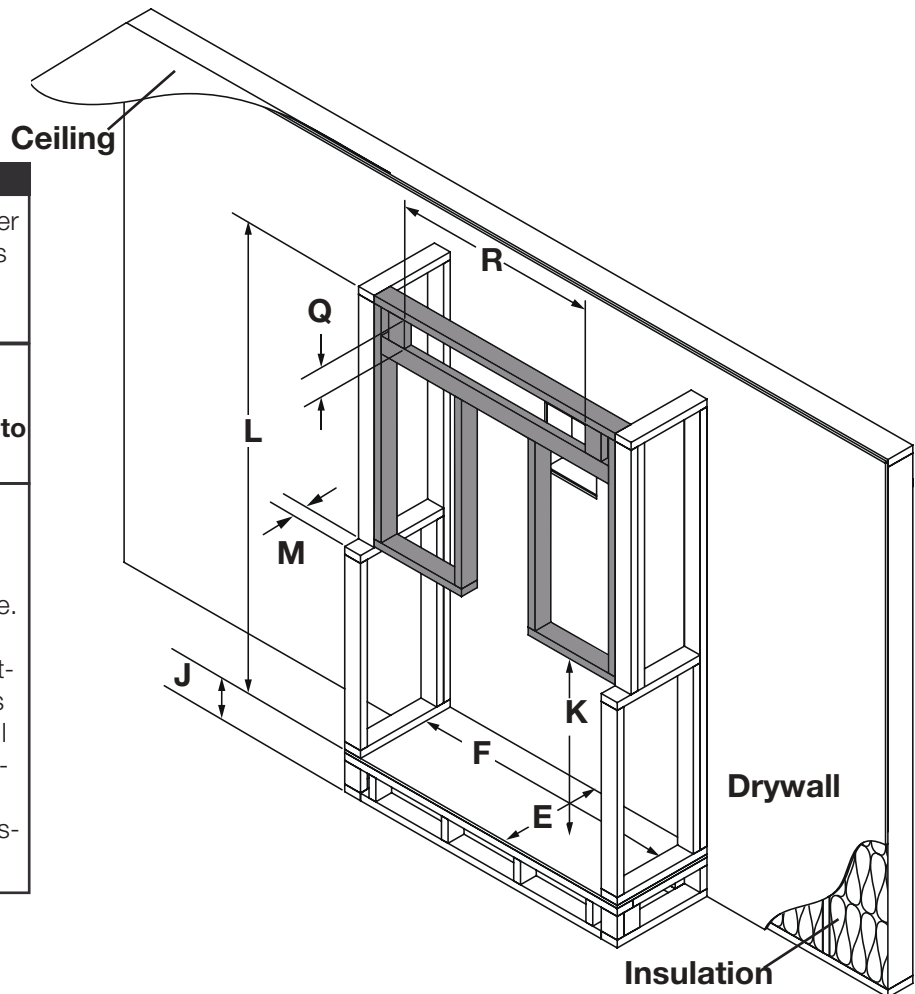
- Shaded components (finish framing) **must** be non-combustible materials.

#### note:

Finish framing **must** be built after appliance has been placed in its final position and venting connected.

**This configuration also requires recess area to use non-combustible facing due to close proximity to vent.**

The LVX series requires a minimum enclosure height, as illustrated (dimension L), measured from the bottom of the appliance. For temperature requirements, this area must be left unobstructed. Some venting configurations that require more vertical rise will require a larger enclosure to provide minimum vertical clearance between vent pipes and combustibles.



Option 2 illustrated (appliance not shown)

### minimum framing

Ref	LVX38-1	LVX50-1	LVX62-1	LVX74-1
K	39 15/16" (101.4cm)			
E***	18" (45.7cm)			
F	53 13/16" (136.7cm)	65 13/16" (167.2cm)	77 13/16" (197.6cm)	89 13/16" (228.1cm)
J	Optional - Appliance does not need to be elevated above floor			
L	73" (185.4cm)		91" (231.1cm)	
Q*	2" min and 3" max			
(Q x R)*	80 sq. in.		160 sq. in.	
M**	3" (76mm)			

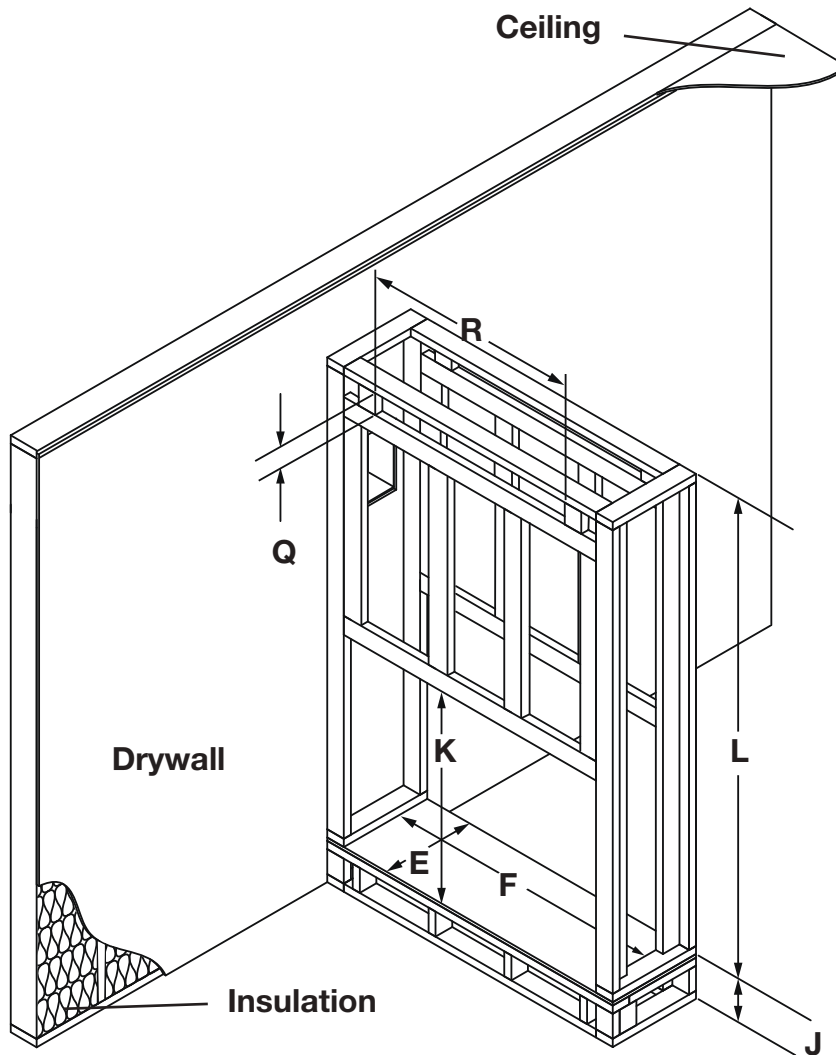
\* ONLY APPLICABLE TO OPTION 2 AND 3 - Opening **must** be centered in enclosure on appliance. Dimensions represent finished sizes and where applicable should be adjusted to include finish material thickness.

\*\* Can only be increased to 4" max by building a protrusion.

\*\*\*Max. 21" (53.5cm).

# finish framing - after appliance installation

see-thru flush



**note:**

Finish framing **must** be built after appliance has been placed in its final position and venting connected.

The LVX series requires a minimum enclosure height, as illustrated (dimension L), measured from the bottom of the appliance. For temperature requirements, this area must be left unobstructed. Some venting configurations that require more vertical rise will require a larger enclosure to provide minimum vertical clearance between vent pipes and combustibles.

Option 2 illustrated (appliance not shown)

## minimum framing

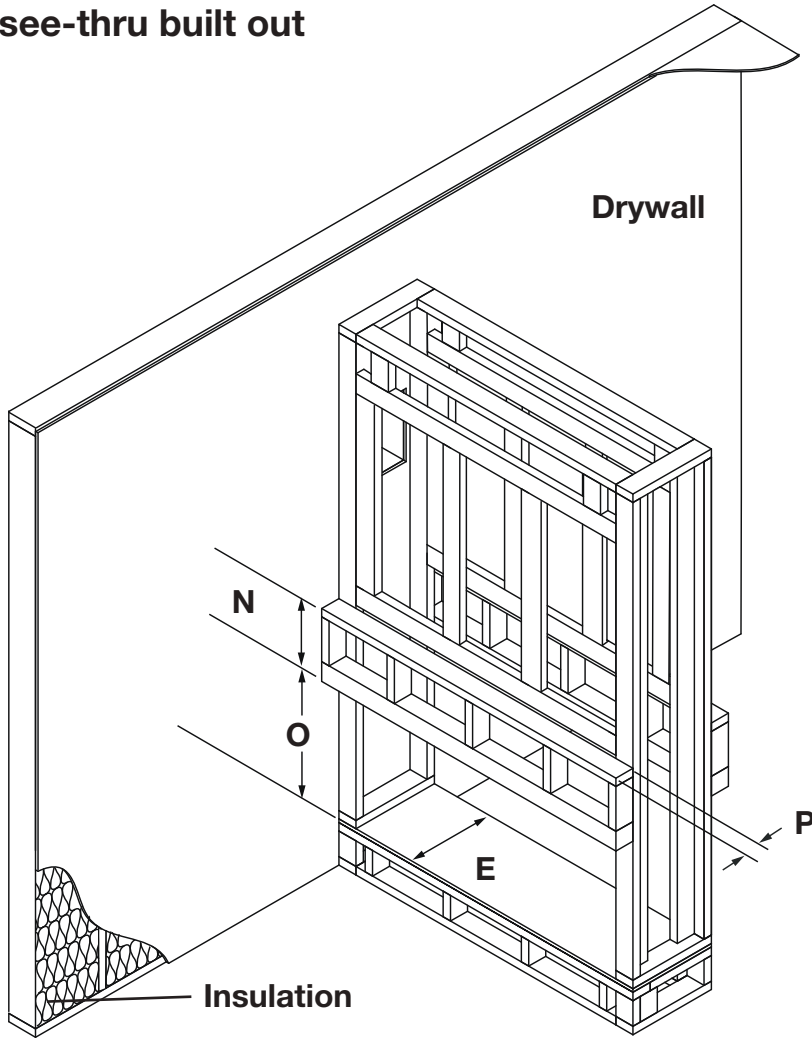
Ref	LVX38-1	LVX50-1	LVX62-1	LVX74-1
K	39 15/16" (101.4cm)			
E**	16 3/16" (41.1cm)			
F	53 13/16" (136.7cm)	65 13/16" (167.2cm)	77 13/16" (197.6cm)	89 13/16" (228.1cm)
J	Optional - Appliance does not need to be elevated above floor			
L	73" (185.4cm)		91" (231.1cm)	
Q*	2" min and 3" max			
(Q x R)*	80 sq. in.		160 sq. in.	

\* ONLY APPLICABLE TO OPTION 2 AND 3 - Opening **must** be centered in enclosure on appliance. Dimensions represent finished sizes and where applicable should be adjusted to include finish material thickness.

\*\*Max. 21" (53.5cm).

# finish framing - after appliance installation

see-thru built out



**note:**

Finish framing **must** be built after appliance has been placed in its final position and venting connected.

Option 2 illustrated (appliance not shown)

## minimum framing

Ref	LVX38-1	LVX50-1	LVX62-1	LVX74-1
E***	16 3/16" (41.1cm)			
N* / **	14 1/4" (36.2m)			
O*	25 11/16 (65.2cm)			
P*	4" (10.1cm) Max			

\* Thickness of finishing material **must** be considered when constructing the framing for the protrusion (i.e. Dimensions such as N, O, & P includes framing and finish material). If desired, side and bottom protrusions are also permitted with 4" (10.1cm) Max. (finishing material not illustrated)

\*\* This is a recommended dimension when mounting electronics above the appliance. Otherwise, it can be as minimal as construction permits.

\*\*\*Max. 21" (53.5cm).

**note:**

When finished, **protrusions must never encroach inside the appliance finishing flange** as this will impede the fitment of the barrier and safe operation. See "finishing" section in the installation manual.

**note:**

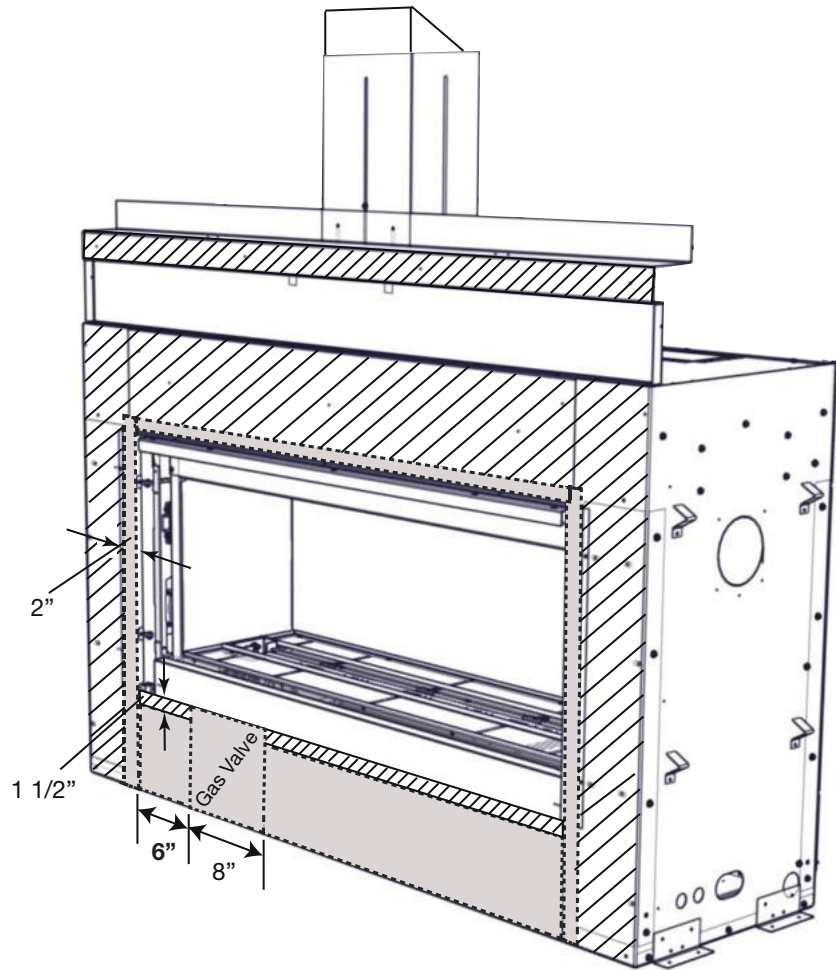
The LVX series requires a minimum enclosure height, as illustrated (dimension L), measured from the bottom of the appliance. For temperature requirements, this area must be left unobstructed. Some venting configurations that require more vertical rise will require a larger enclosure to provide minimum vertical clearance between vent pipes and combustibles.

## 12.0 finishing

### **! WARNING**

- Risk of fire!
- Never obstruct the front opening of the appliance.
- The front of the appliance must be finished with any non-combustible materials such as brick, marble, granite, etc., provided that these materials do not go below the specified dimension, as illustrated.
- Do not strike, slam, or scratch. Do not operate appliance with glass removed, cracked, or scratched.
- Facing and/or finishing material must never overhang into the appliance opening.
- The glass door assembly is a safety device designed to pivot forward when relieving excess pressure that might occur. Finishing or other materials must not be located in the opening surrounding the door as this will interfere with the doors ability to relieve pressure.

### 12.1 fastener placement restriction



No fasteners permitted.



No fasteners permitted with greater than 3/4" penetration into appliance.

When securing non-combustibles, we suggest using high temperature construction adhesive within 2" (5.08cm) above and to the sides from the appliance opening and 8" (20.3cm) below the appliance opening. **DO NOT SCREW IN THE RESTRICTED AREA AS THIS COULD DAMAGE THE INTERNAL COMPONENTS OF THE APPLIANCE THAT CAN CAUSE INJURY OR DEATH.**

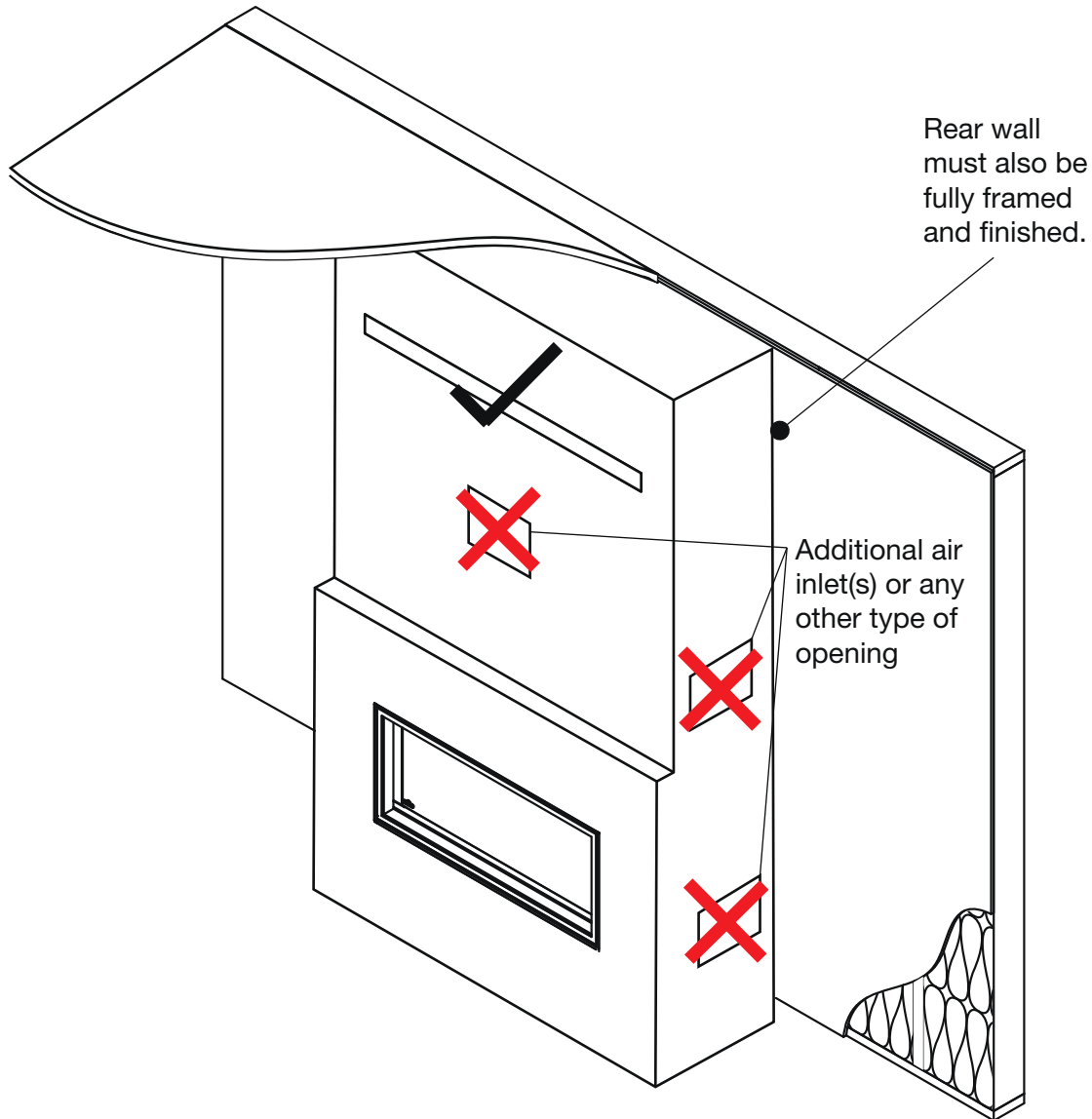
This applies to both single-sided and see-thru appliances.

Maximum screw length to be used outside the restricted screw area is 3/4" greater than finishing material thickness.(i.e. no fastener permitted that penetrates the appliance more than 3/4")

## 12.2 enclosure design

Additional openings in the enclosure are not acceptable since the DHC™ system relies on the “chimney effect” created through the appliance and the enclosure.

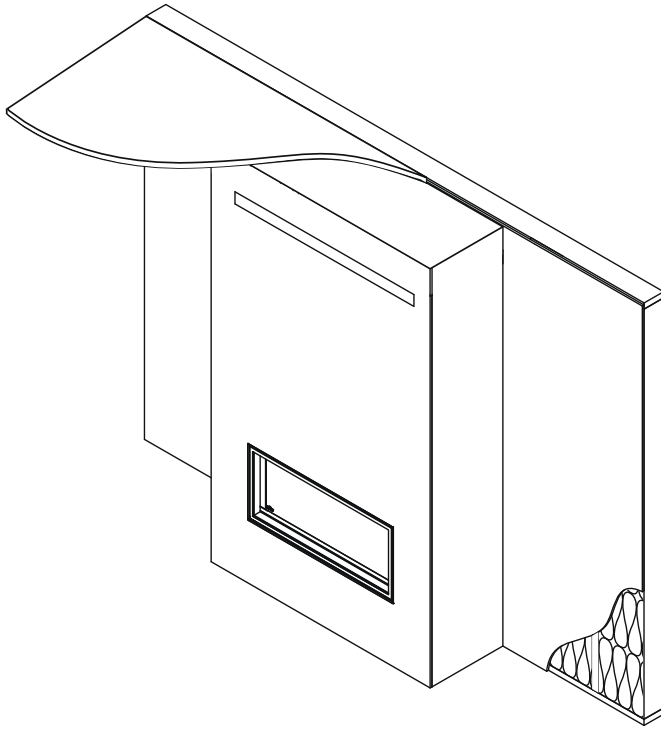
By adding additional air inlet(s) to an enclosure, air can bypass the appliance, which increases the operating temperature of the appliance and around the appliance opening. This is counterproductive when trying to demonstrate the benefits of heat management to potential customers. In extreme cases, the appliance may become hot enough for the high limit switch to shut down the appliance.

**note:**

The outside of the enclosure must be finished on all four sides and must include a complete floor.

## finishing

### 12.3 finishing with combustibles

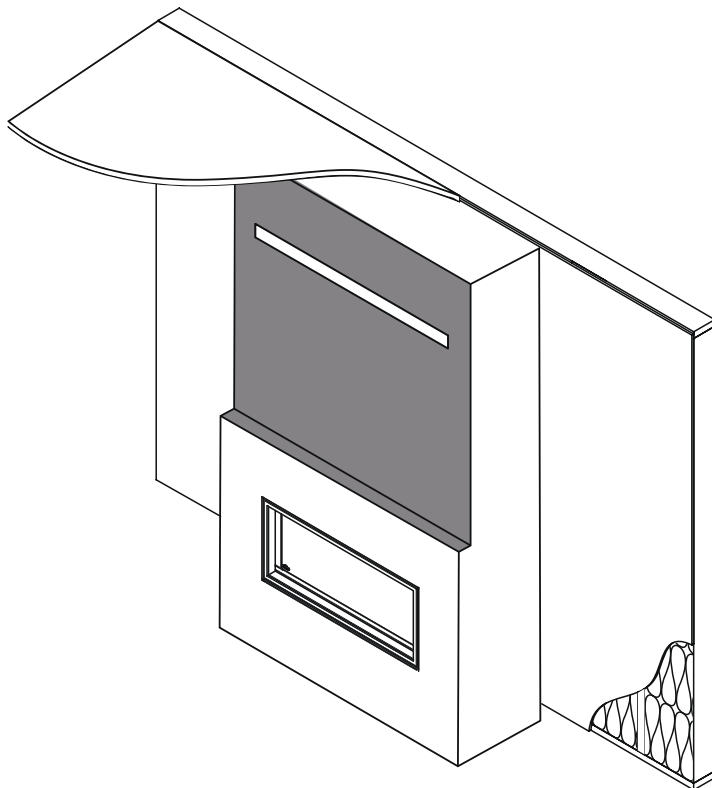


With Dynamic Heat Control™, you can finish the appliance with any combustible materials except appliances with recessed installation. Air outlet opening must be located out of reach of the user. Air outlet opening **must** not be restricted by furnishings or decor.

### Recessed installation with Dynamic Heat Control™

#### **!** WARNING

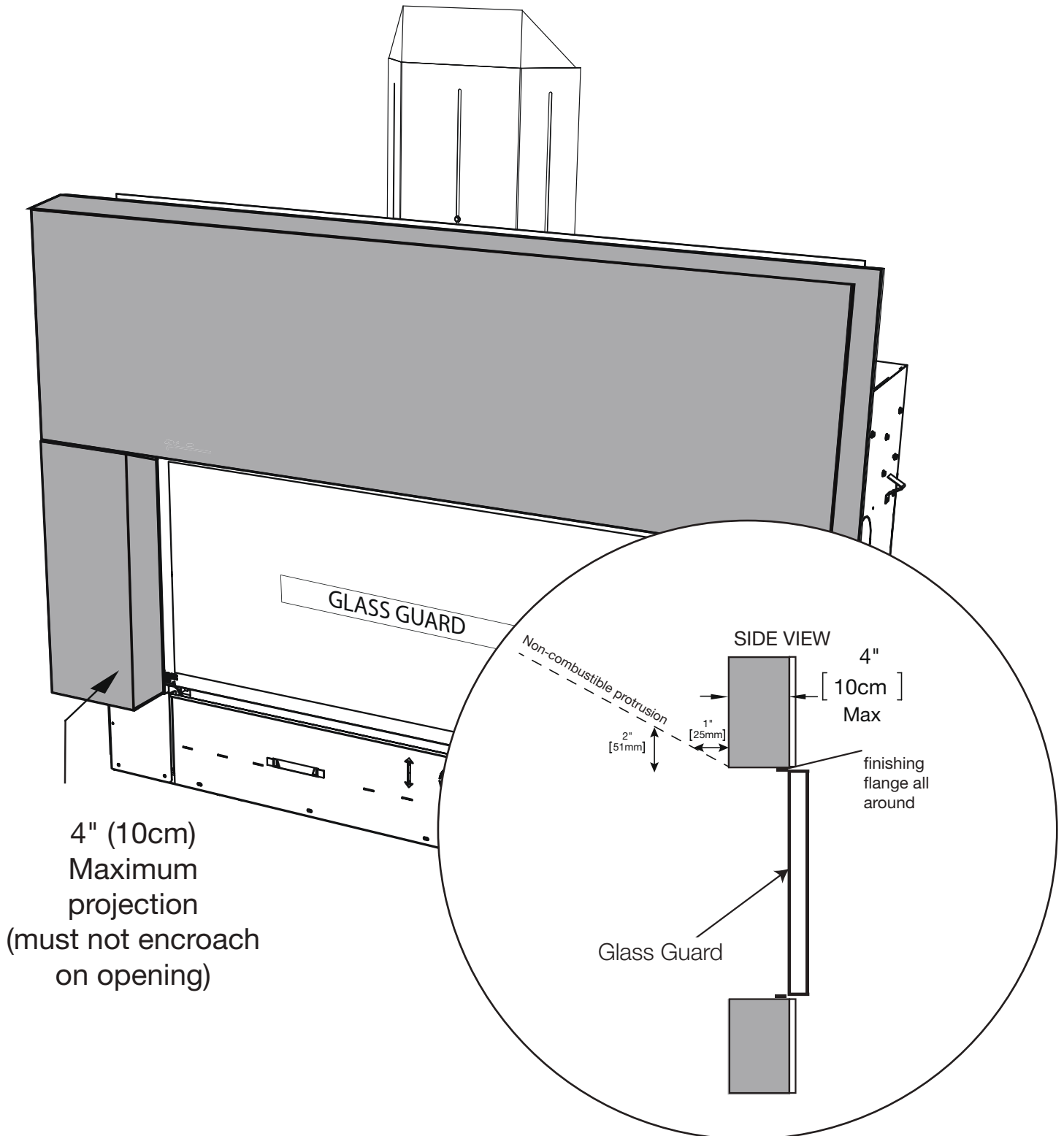
- Shaded area must be non-combustible materials.



**SHADED AREA MUST BE NON-COMBUSTIBLE MATERIALS.** Recessed installation **requires** recess material to use non-combustible facing due to close proximity to vent. Air outlet opening must be located out of reach of the user. Air outlet opening **must** not be restricted by furnishings or decor.

**! WARNING**

- Finishing material tight to the frame around the glass guard assembly frame must not project more than 4" (10cm) from the face of the glass guard (above the door and sides only).

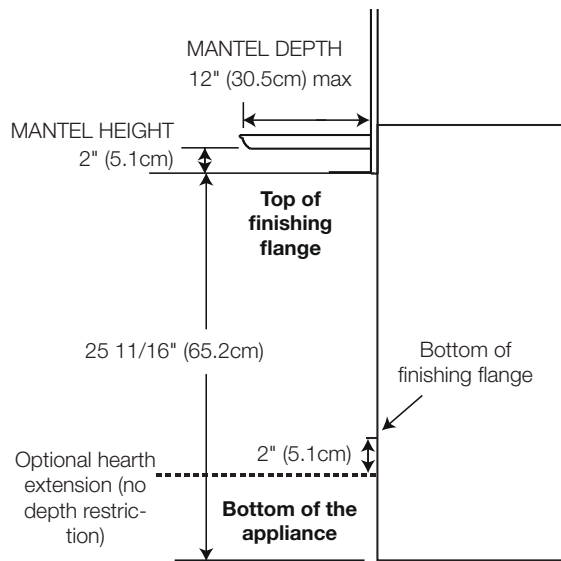


# finishing

## 12.4 minimum combustible mantel clearances

### **! WARNING**

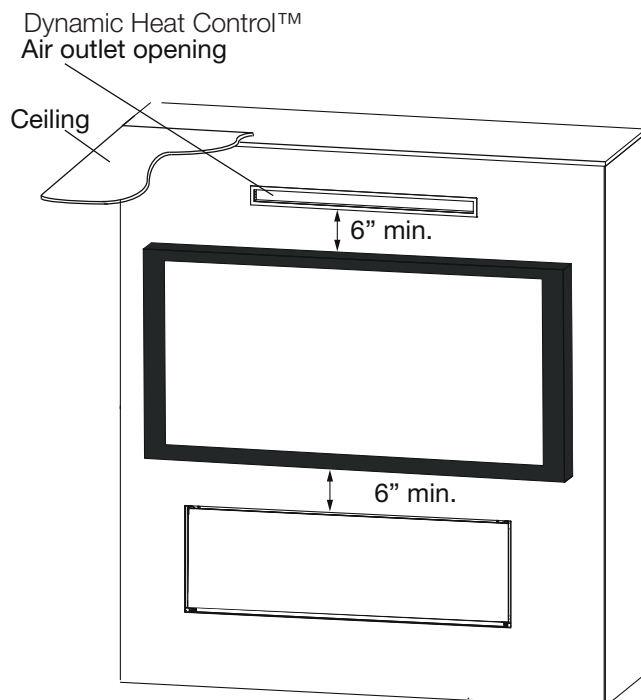
- Risk of fire. Maintain all specified air space clearances to combustibles. Failure to comply with these instructions may cause a fire or cause the appliance to overheat. Ensure all clearances (i.e. back, side, top, vent, mantel, front, etc.) are clearly maintained.
- When using paint or lacquer to finish the mantel, the paint or lacquer must be heat resistant to prevent discolouration.
- Installing a television or other electronics above the appliance may cause discolouration, melting, or damage to the electronics. Use clearances as guidelines and refer to your TV manufacturer's instructions for further information.



Installing a mantel between this appliance and electronics or other materials that may be sensitive to heat, will reduce the effect of direct heat on them. Follow mantel height and depth instructions for proper clearance information.

A non-combustible mantel is considered a non-combustible protrusion, see "finishing" for protrusion restrictions.

Electronics, picture frames, decors, or other wall-mounted objects must be 6" below the air outlet opening and 6" above the finishing flange.



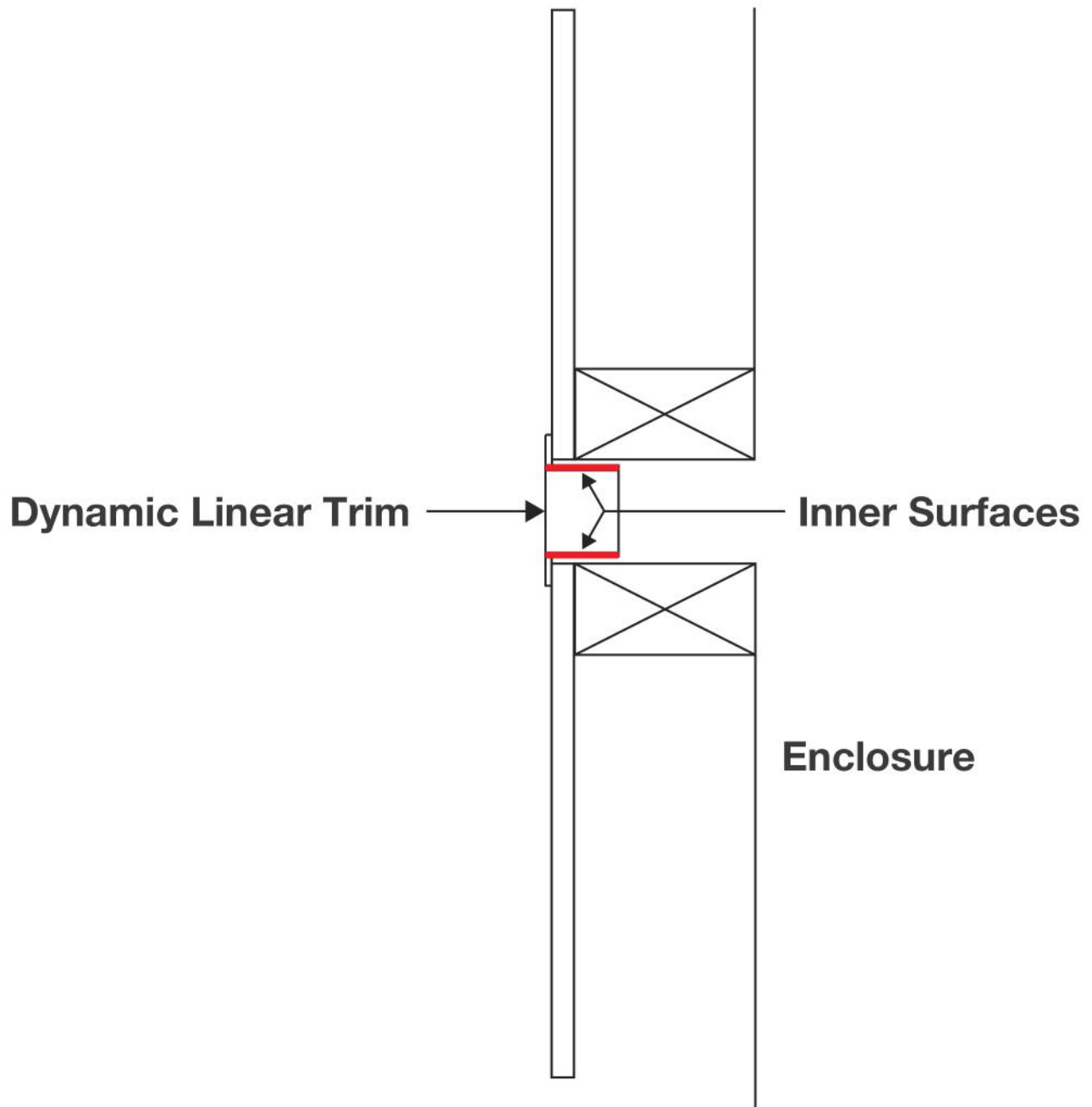


## 12.5 optional trim finishing

When the appliance is installed with the front (or rear) air outlet opening, a decorative trim kit is available to finish your installation. The trim kit can be painted as an accent colour or to blend in with room decor.

**The minimum air opening area must be maintained after the finishing material has been installed.**

Contact your local authorized dealer for more information.



**note:**

The inner surfaces may be visible.

### ! WARNING

- The polystyrene / styrofoam packaging materials may scratch the glass if the GGA-1 is not covered by the plastic layer.
- Adequate steps must be taken to protect the appliance and Dynamic Heat Control™ (DHC) openings from dirt, debris and damage during finishing.
- The GGA-1 installation and/or removal will require 2 people.
- The GGA-1 should be preliminarily fitted and adjusted before finish framing and finishing the appliance. It is much easier to make adjustments with the appliance pre-finishing access panel removed. It is recommended that the GGA-1 is removed after preliminary adjustment and stored safely in the original packaging whilst finishing is complete. Take precautions to protect the appliance during finishing.

#### Key Components

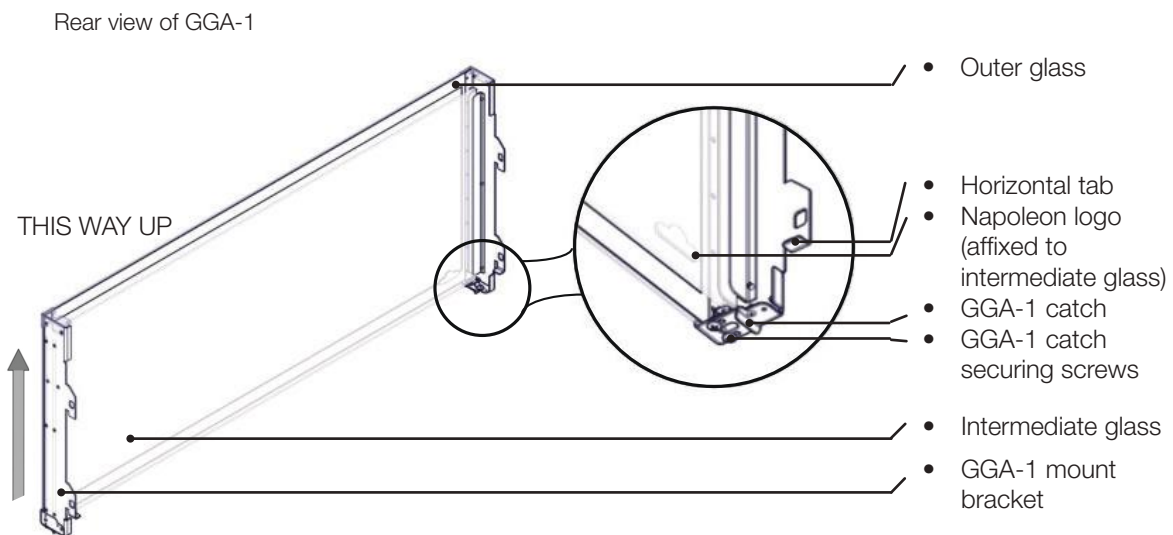


Fig. 1

Access side view of appliance

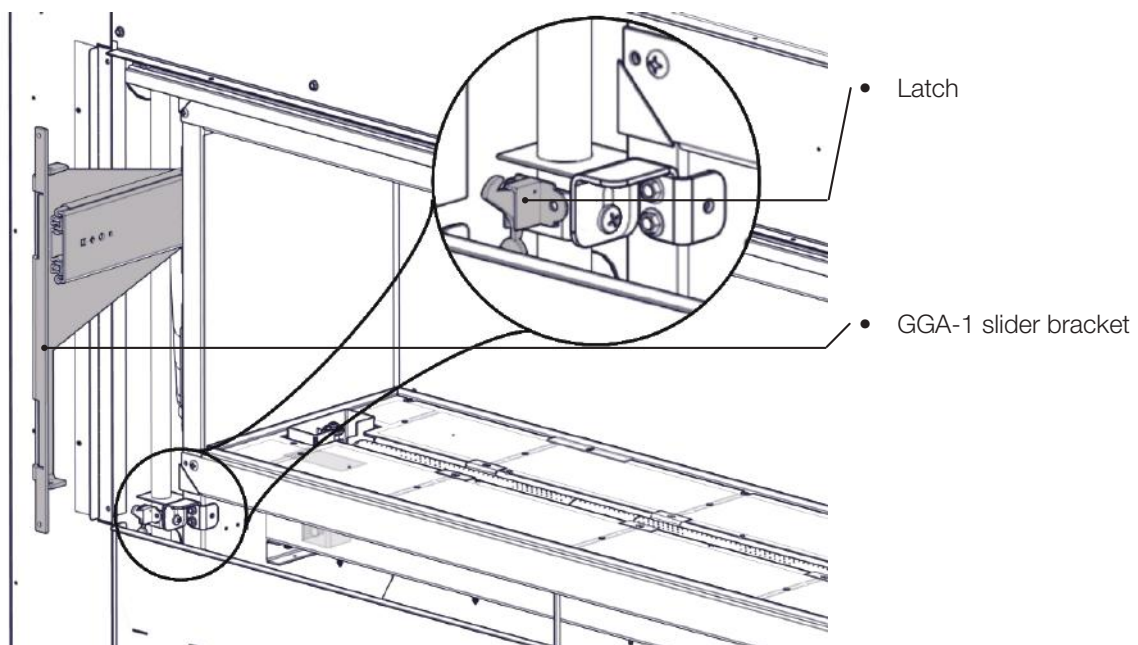
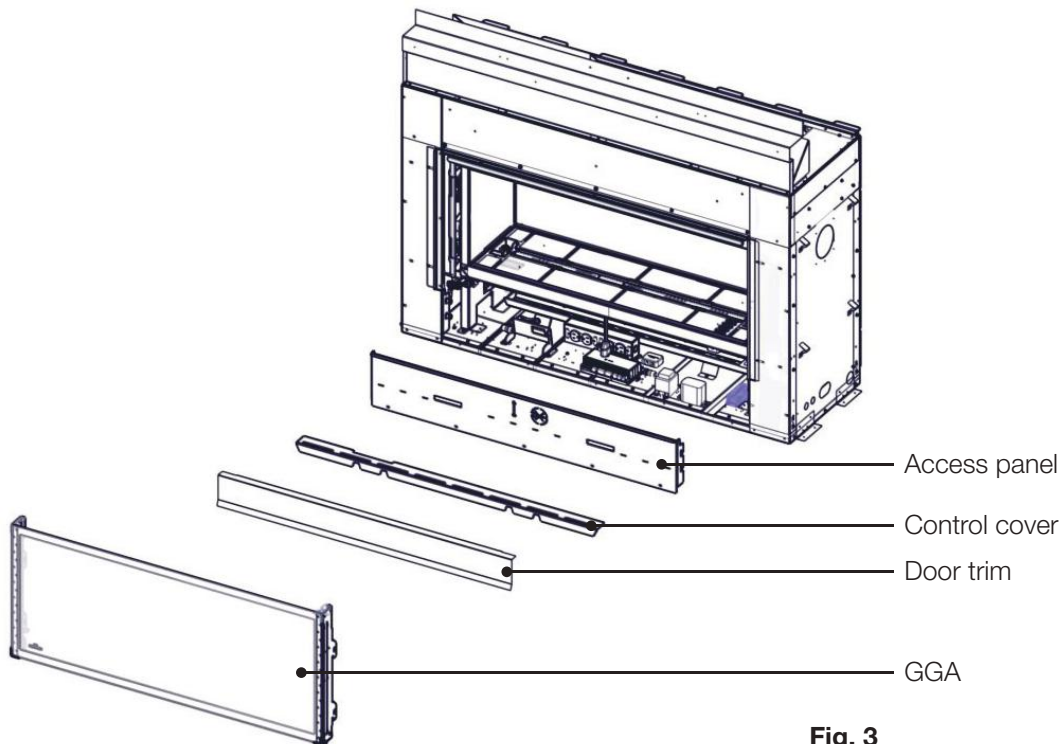


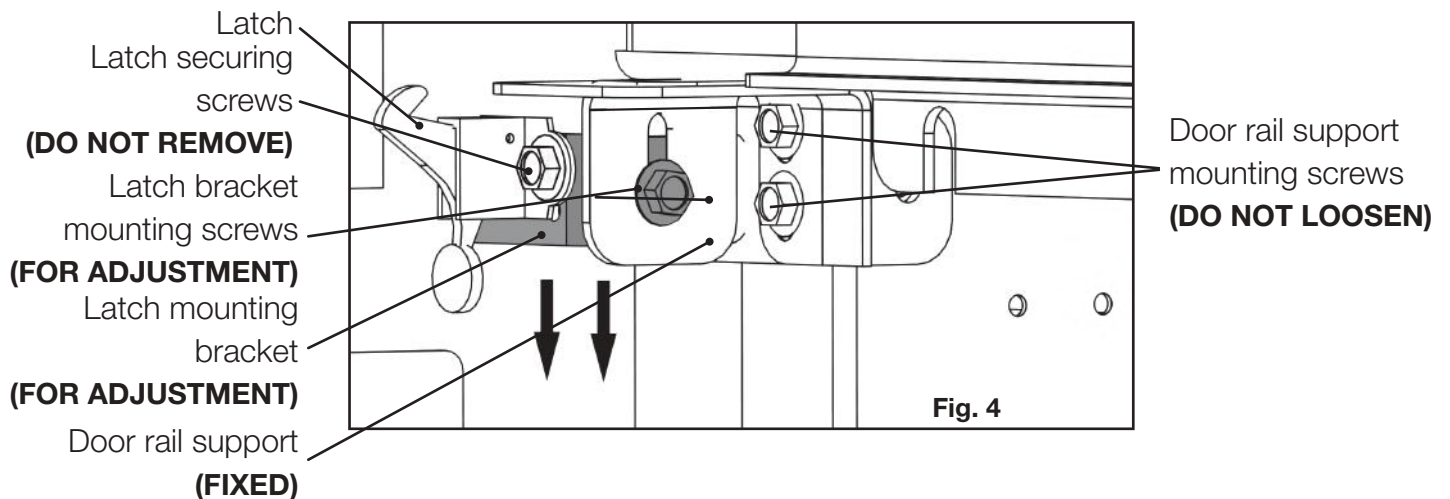
Fig. 2

1. Unpack the GGA-1 and keep packaging materials to store the GGA-1 after test fitting.
2. Ensure to handle the GGA-1 as shown **(Fig. 1)** as the floating intermediate glass might fall out of the assembly if handled incorrectly.
3. For ease of installation during preliminary adjustment, remove the door trim, control cover and access panel **(Fig. 3)**.



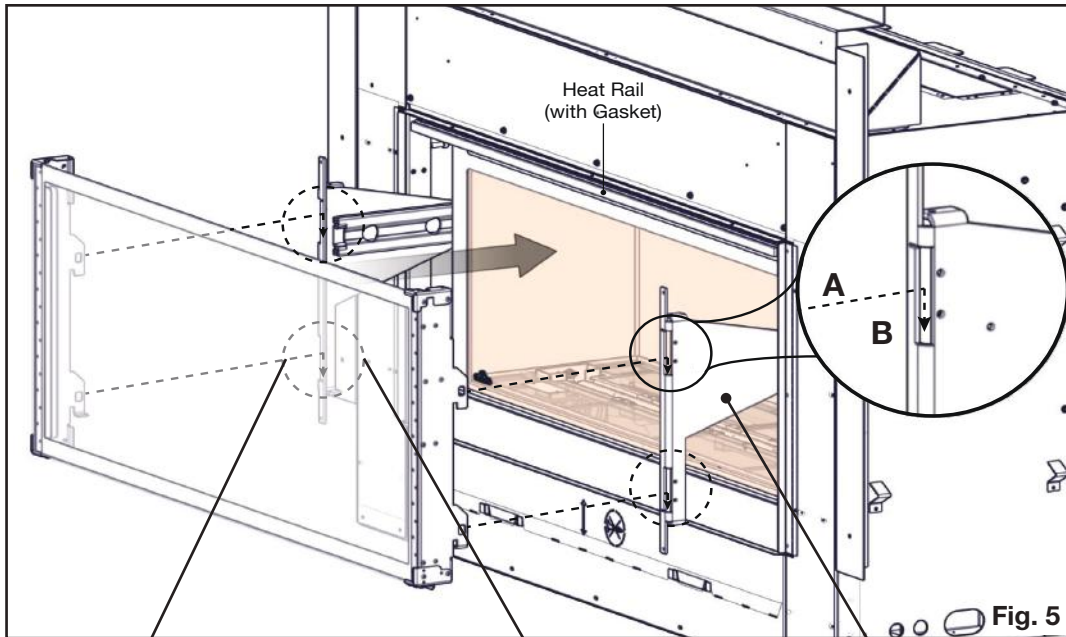
4. For ease of fitting, the latch securing screws should be located at the bottom of their slots. It may be necessary to loosen the latch securing screws and slide them all the way down. Retighten the latch securing screws loosely taking care not to overtighten **(Fig. 4)**. Repeat for other end of GGA-1.

**note:**  
**DO NOT OVERTIGHTEN.**

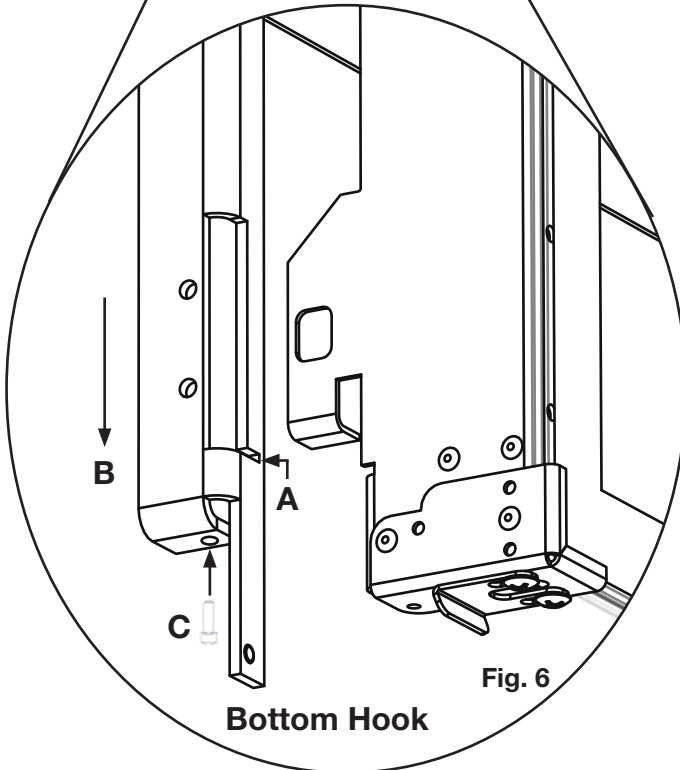


## finishing

5. Fully extend the two GGA-1 slider brackets of the appliance outward (**Fig. 5**).
6. Carefully hook GGA-1 onto GGA-1 slider brackets by aligning the horizontal tabs on the GGA-1 with the horizontal slots in the bottom of the GGA-1 slider brackets and moving the GGA-1 back into the GGA-1 slider brackets (**A**). Ensure both top and bottom tabs of the GGA-1 engage with hooks of the GGA-1 slider brackets (**B**) (**Fig 5**).
7. Install 2 vertical adjustment screws underflush of GGA-1 slider bracket surface (**C**) (**Fig. 6**).

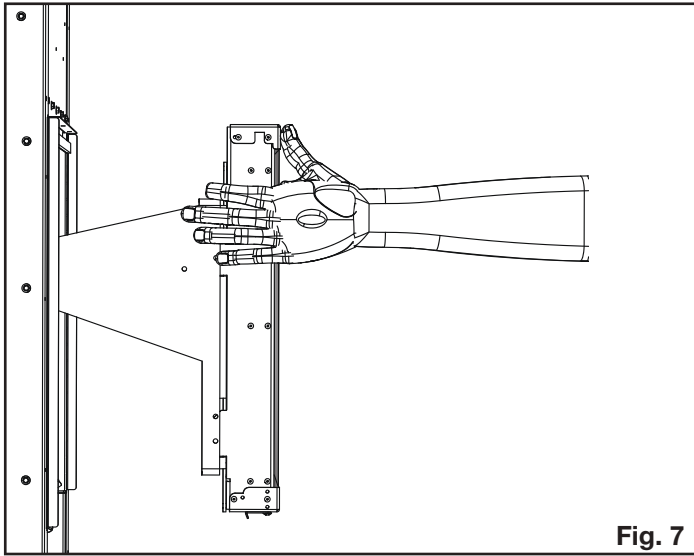


GGA-1 slider bracket



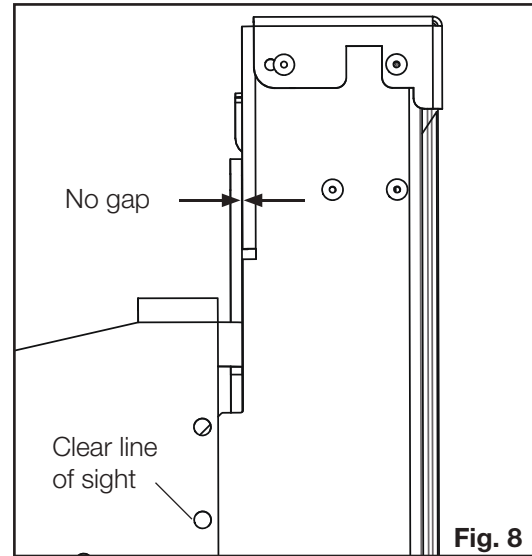
8. The GGA-1 mount bracket holes should be lined up with the screw holes of the GGA-1 slider brackets to ensure a clear line of sight (**Fig. 8**). It is typically necessary to raise the GGA-1 on both sides using the vertical adjustment screws. Raising the GGA-1 approximately 1/8" typically provides the optimum preliminary fit (**Fig. 9**). Repeat on other end of GGA-1.

## DO'S



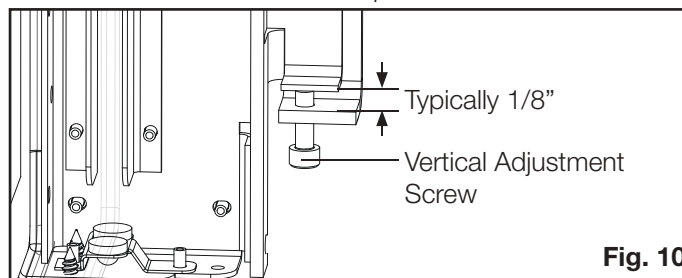
**Fig. 7**

Hold GGA-1 and GGA-1 slider bracket together firmly whilst tightening fasteners. Repeat on other end of GGA-1.



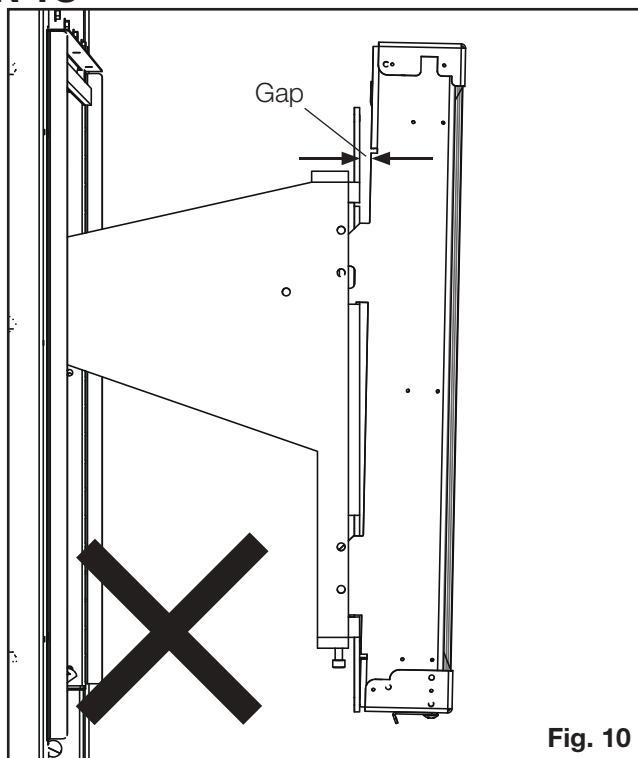
**Fig. 8**

Ensure there is no gap between back of GGA-1 and GGA-1 slider bracket at top and/or bottom. Repeat on other end of GGA-1.

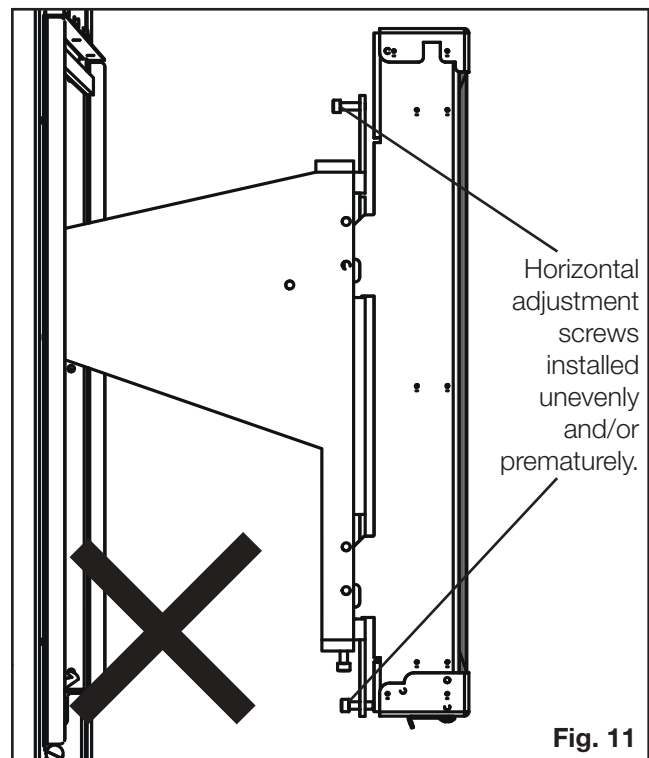


**Fig. 10**

## DON'TS



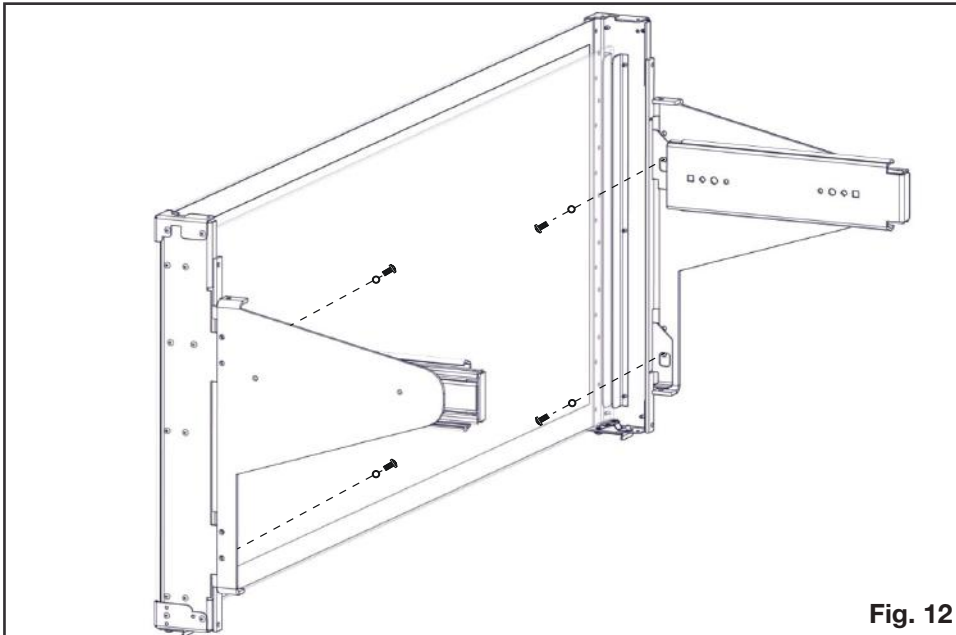
**Fig. 10**



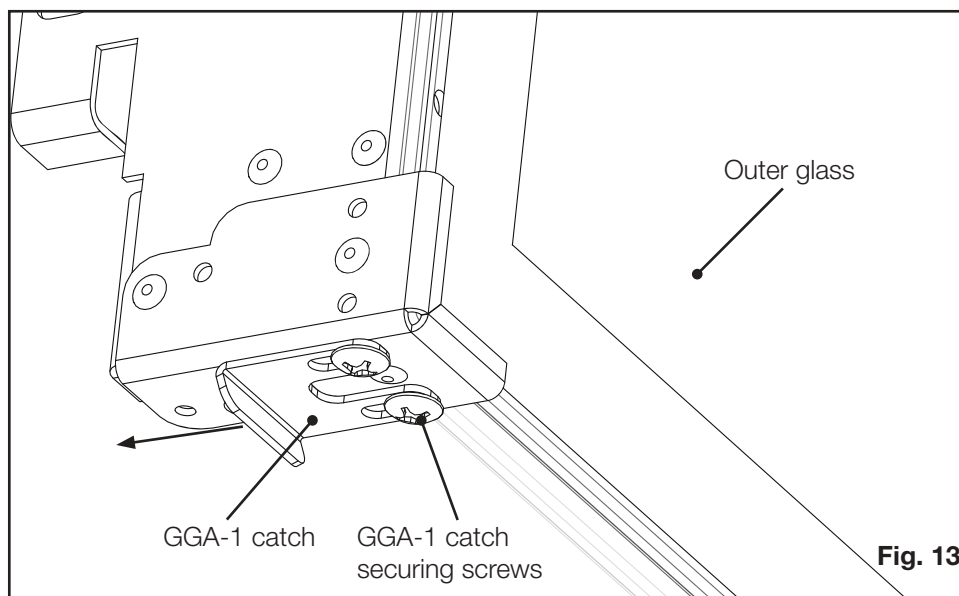
**Fig. 11**

## finishing

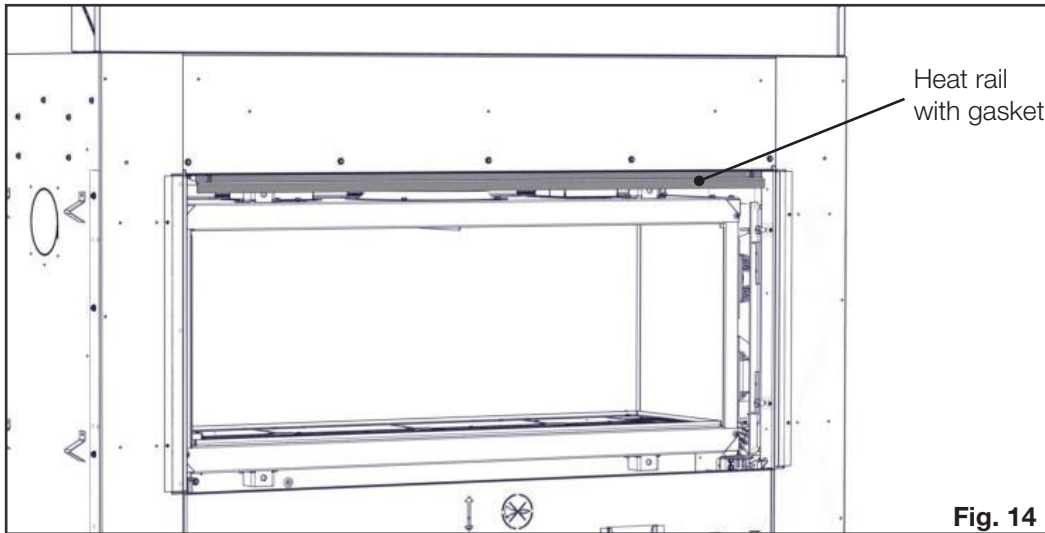
- Secure GGA-1 with 1 fastener and 1 washer on top and bottom of each GGA-1 slider bracket (total of 4) holding the GGA-1 tight to the GGA-1 slider bracket surface throughout **(Fig. 12)**. Tighten firmly enough to hold GGA-1 against GGA-1 slider bracket. Do not fully tighten until adjustment is complete and during final GGA-1 installation.



- The GGA-1 catches should be installed toward the appliance. It may be necessary to loosen the GGA-1 catch securing screws on the bottom of both sides of the GGA-1 and slide them all the way towards the back of the GGA-1. Retighten securing screws **(Fig. 13)**.



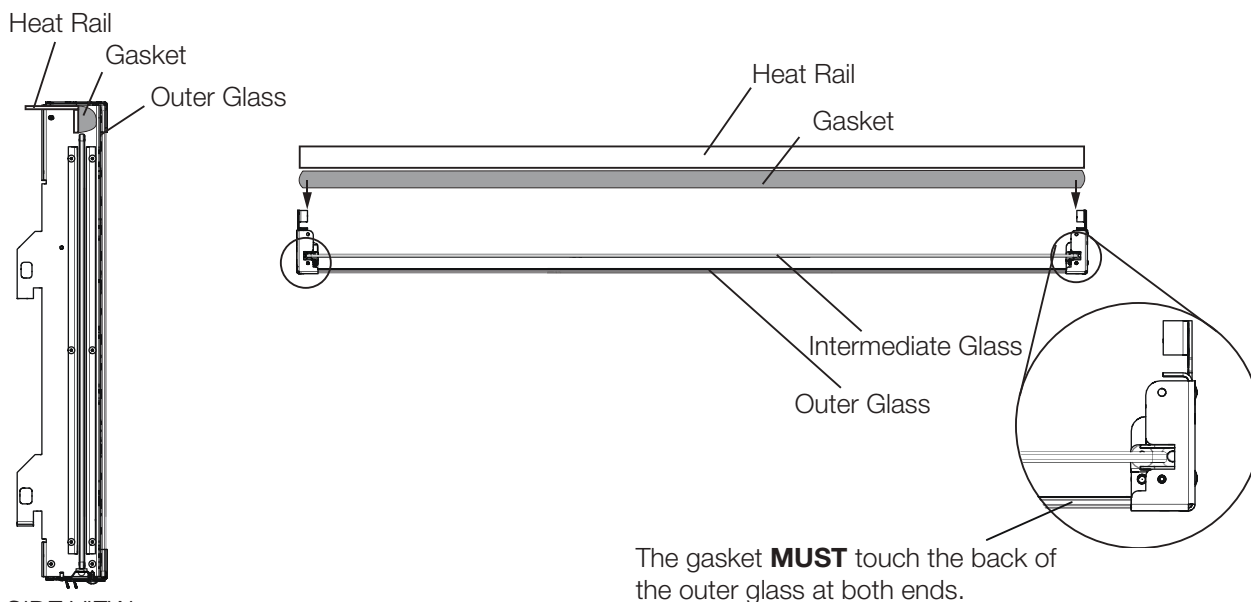
- Slide the GGA-1 into the appliance until outer glass panel makes contact with heat rail gasket. The glass surface should contact the heat rail at each end (**Fig. 15**). The GGA-1 must 'click' into latches when secure. The GGA-1 must be retained by the latches and not open, if pulled. If GGA-1 does not smoothly engage with latches, an adjustment may be required, see step 13.



**Fig. 14**

**important:**

Ensure that the heat rail gasket is touching the both ends of the back of the outer glass as shown.



SIDE VIEW

For longer appliances, the glass pieces may look slightly bowed (illustration not to scale) when the glass and appliance are cold. **This is normal and not a cause for concern.** The glass will straighten and become flush to the heat rail gasket as it becomes warm when the appliance is operating.

It is **REQUIRED** to have the gasket touching both ends of the outer glass.

**Fig. 15**

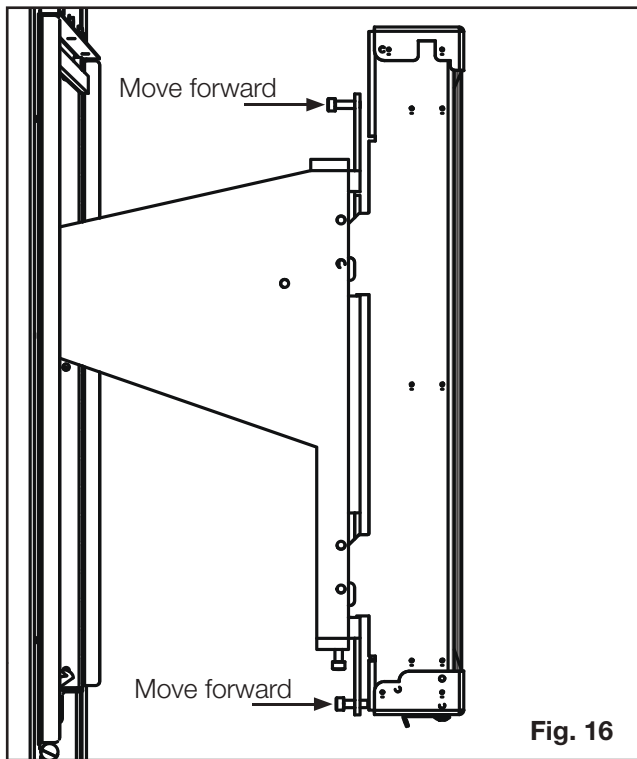
**! WARNING**

- Normally there is no need to adjust the position of the heat rail. Contact your authorized Napoleon dealer before attempting any adjustment of the heat rail.



## finishing

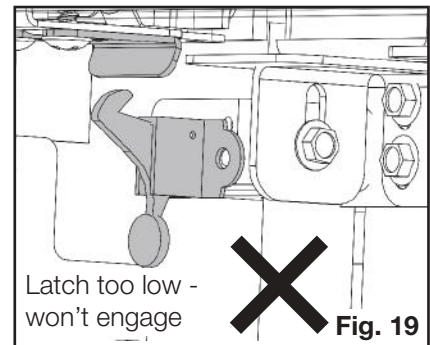
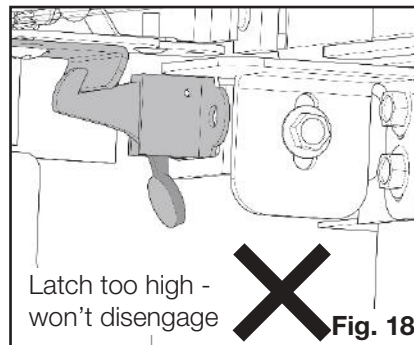
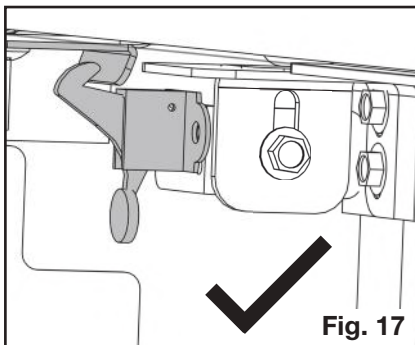
12. Check if the GGA-1 plane is straight. Adjust with horizontal adjustment screws on both ends, if necessary (**Fig. 16**).



**note:**

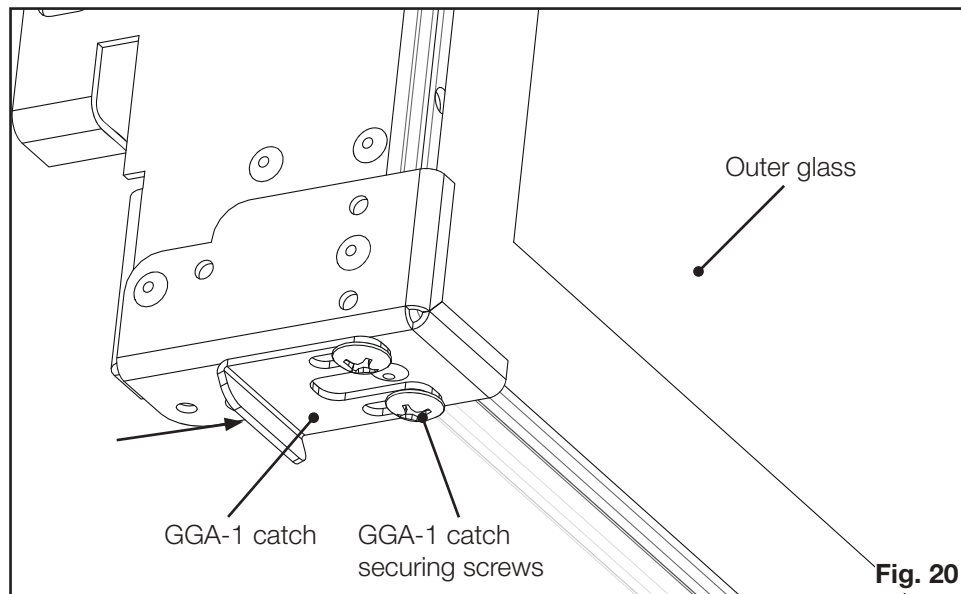
If facing material is not installed plumb and square, it may be necessary to make final horizontal GGA-1 adjustments after finishing.

13. Check if the latches are correctly positioned (**Fig. 17**). Adjust latches, if necessary. Retighten the screws securely but do not overtighten.





14. Recheck if the outer glass of the GGA-1 is touching the heat rail gasket on both ends.
15. Check for any excessive play by lightly pulling the GGA-1 outwards. The play (rattle / movement) should be negligible in the system when the GGA-1 is held in position by the latches.
16. If there is excessive play, the GGA-1 catches on the bottom of the GGA-1 should be adjusted forward to reduce the play to a minimal amount. This is to ensure GGA-1 can still be secured and released smoothly without excessive force **(Fig. 20)**.

**note:**

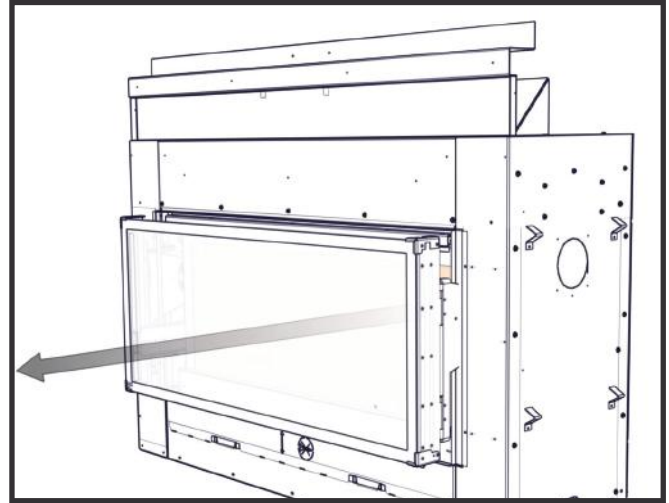
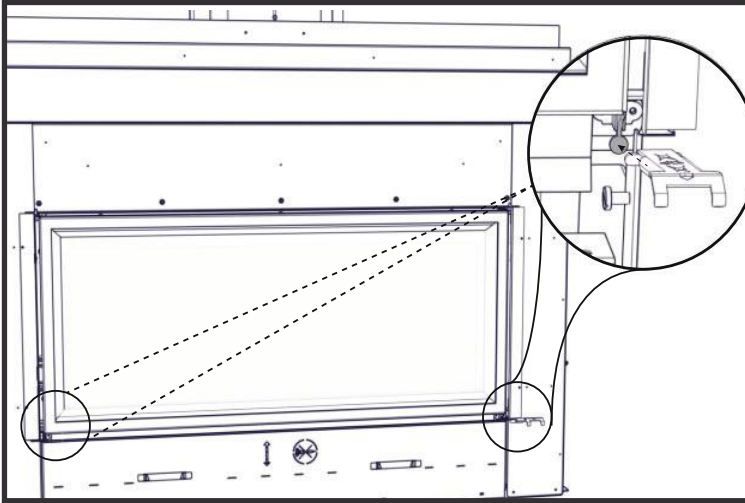
The GGA-1 should slide smoothly back and latch with a 'click'. Front to back play should be negligible. The GGA-1 should unlatch smoothly without the need for excessive force. Continue to adjust the GGA-1 catches and/or latches until the GGA-1 can be moved correctly. Tighten all screws securely but do not overtighten.

17. Remove GGA-1 (see, "to remove GGA-1" section) and safely store the GGA-1 after preliminary adjustment. Ensure GGA-1 is placed on a non-abrasive material to avoid scratches. It is recommended to store the GGA-1 in the original packaging taking care to ensure glass surfaces are protected from scratches.
18. Re-install GGA-1 after the appliance finishing then re-check alignment.
19. Secure GGA-1 by tightening the GGA-1 slider bracket screws on both ends securely.

**For see-thru models, repeat instructions for second GGA-1 to be installed on the fixed side.**

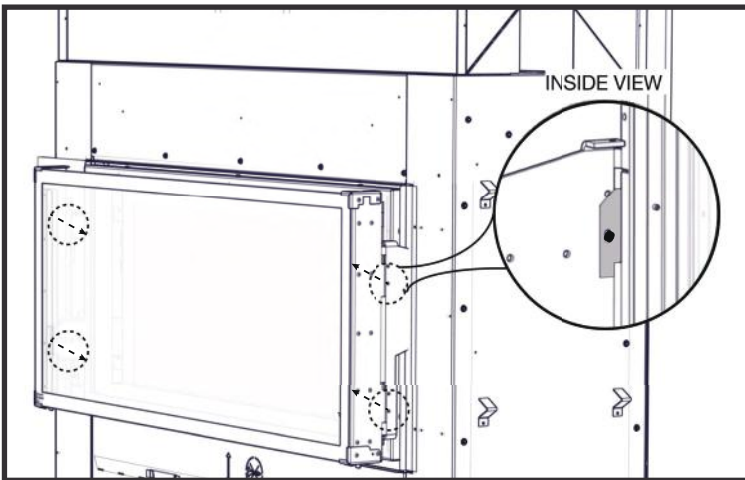
# finishing

## To remove GGA-1

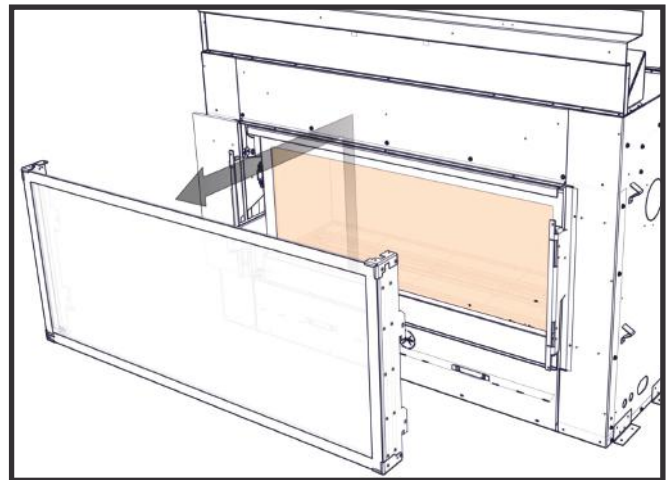


1. To open, release the latches from the GGA-1 using the release tool. Push the release tool against bottom of latch until it disengages from GGA-1. Pull gently on GGA-1 while releasing the latch.

2. Pull both sides of GGA-1 keeping it parallel to the appliance.



3. Remove the screws and washers securing the GGA-1 to the GGA-1 slider brackets (1 per corner, 4 total).



4. Carefully lift the GGA-1 up and off the GGA-1 slider brackets (2 per side). Set assembly on a clean, soft surface. Care must be taken to protect the edges of glass.

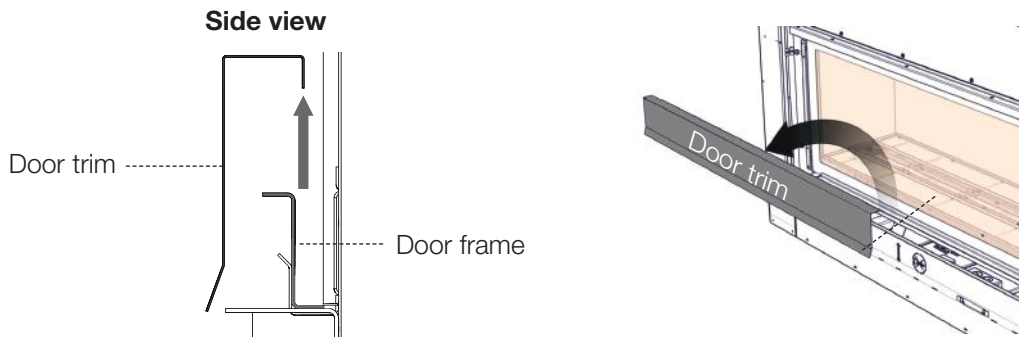
## 12.7 firebox glass door installation / removal

### **! WARNING**

- Do not insert fingers in the gap between the door and the door frame, or between the spring latches & door. there is a risk of injury due to the spring mechanism. Do not insert fingers in the spring door latch mechanism.

#### FRONT - ACCESS SIDE

- Remove the glass guard assembly, refer to the “glass guard installation / removal” section for details.
- Remove the door trim by carefully lifting it up and off from behind the bottom frame of the glass door.



LVX38-1 Illustrated

- For door removal, locate the top and bottom door latches. Pull latches forwards and away to disengage door latches.

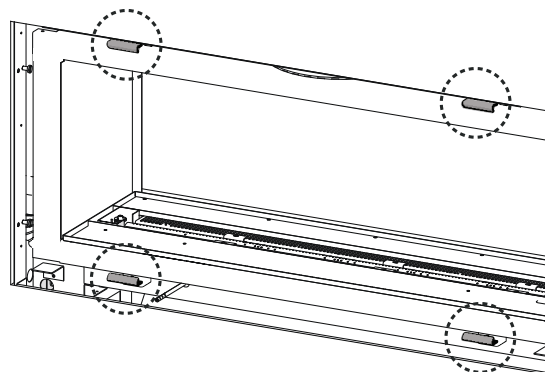
**note:**

Ensure to leave one hand on the glass door during entire door removal.

- Tilt the top of the door forwards 90 degrees, then lift it up and out of the door latches.
- Reverse these steps to re-install the door, ensure the top and bottom door latches are properly engaged prior to releasing the door (number of latches varies by size of appliance).

**note:**

Ensure the door opens freely and closes sealed.



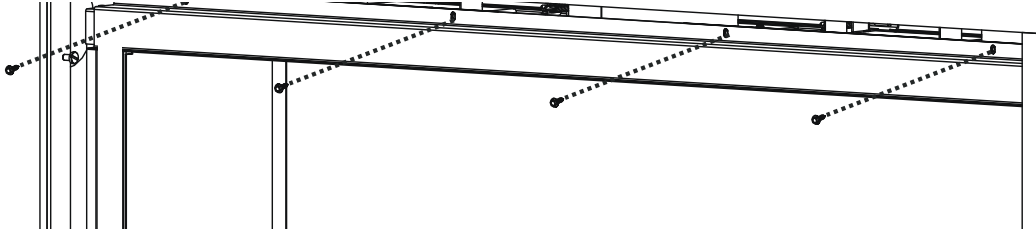
LVX38-1 Illustrated

**IMPORTANT:** Once latches are engaged, test to make sure that the door is sealed.

# finishing

## FIXED - SEE-THRU ONLY

- F. Remove GGA-1 from fixed side.
- G. Remove the screws securing the door to the appliance.
- H. Tilt the top of the door forward, then lift it up and out of the bottom door retainer.
- I. When re-installing the door, lift onto the bottom door retainer, tilt the top towards the appliance and secure with the previously removed screws.

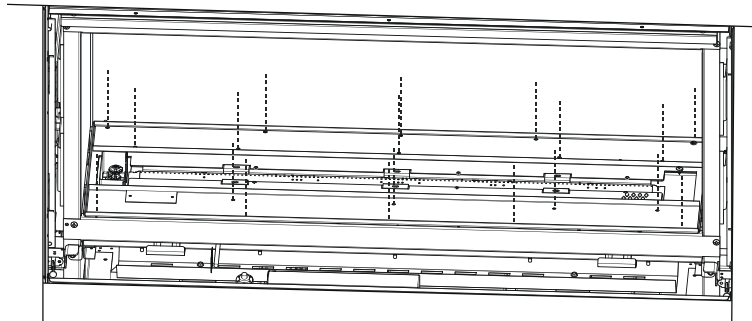


### note:

Under normal conditions, there is no reason to remove the fixed side of the firebox glass door. Servicing can be completed from the access side.

## 12.8 media tray removal

It is recommended to **only** install media trays **when using sand as media**. Media trays, where supplied, should be stored in the event it is planned to install alternate media at some point in the future.



## 12.9 media installation / removal

### ! WARNING

- Clean the glass media prior to installation. Before applying the cleaned glass, ensure that it is dry.
- If replacing, use only the replacement glass media available from your local authorized dealer / distributor.
- Glass media over the burner ports will cause flame lifting and sooting problems.
- Do not place any media (glass or vermiculite) in or around the pilot opening and/or on the burner ports. This will interfere with the pilot operation.

#### Cleaning Glass Media

Glass media may have a fine oil residue that needs to be cleaned prior to installation. Clean the glass with mild dish soap, drain, rinse thoroughly and dry before placing over the burner.

#### note:

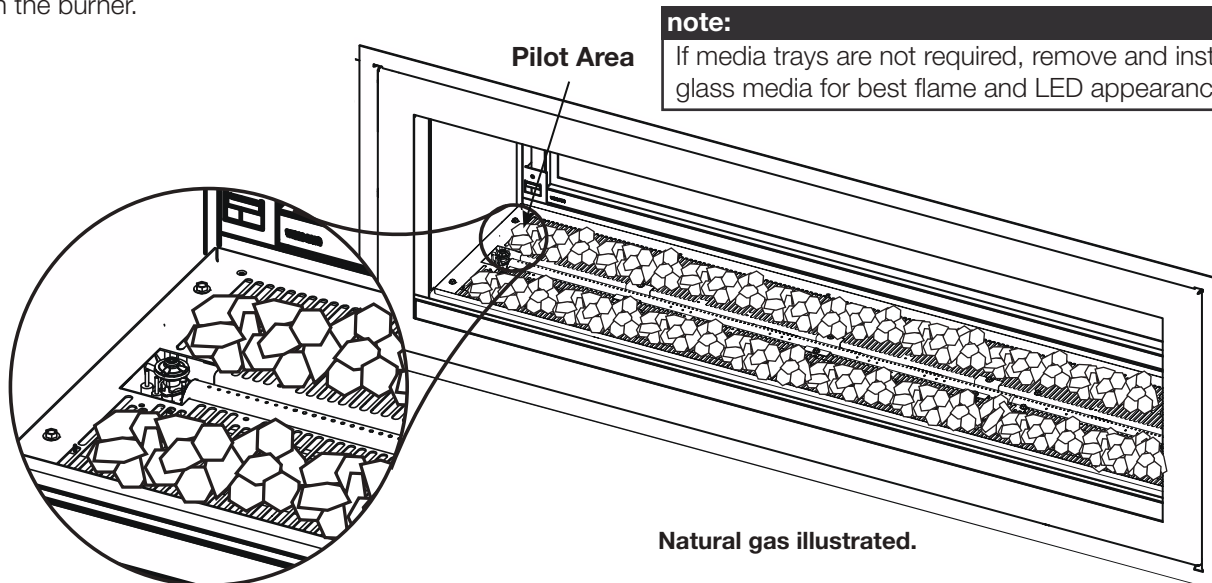
Do not use more media than what was supplied with the appliance. Do not place media directly onto the burner **(NG models only)**.

Unless using sand as media, it is recommended **NOT** to use the media trays. Not only will this provide a clean look to the appliance, but it also results in a most pleasing and clean-burning flame. Media trays should be stored in the event it is planned to install alternate media at some point in the future.

Media should be installed across the burner tray and a small to moderate amount of media placed on the burner itself and, if necessary, adjusted to achieve a pleasing flame appearance. **Never place excessive media on the burner as this can result in carboning or an unappealing flame characteristic. For smaller units, it is recommended not to put media on the burner ports themselves as the difference in flame pattern can be particularly noticeable.**

**Never place media in the pilot housing or over the pilot.** Ensure no glass or media falls into the pilot opening. If this happens, insert a clean bag into your vacuum cleaner and vacuum out the media. Replacement media can be purchased from your local dealer / distributor.

Always check that the appliance ignites smoothly across the entire burner to ensure media placement does not compromise performance. Pay particular attention when using power vents to ensure media placement does not affect ignition or flame characteristics. Adjust the air shutter according to the table under "venturi adjustment". Undesirable differences in the flame pattern result from excessive or inconsistent / incorrect placement of media on the burner.



#### note:

Do not place media directly over peaks, see "flame characteristics" section for more information.

**This appliance comes equipped with a media tray for sand over top the media tray with opening for use with all other types of media. Unless, installing sand media, remove the sand media trays.**

## 13.0 adjustments

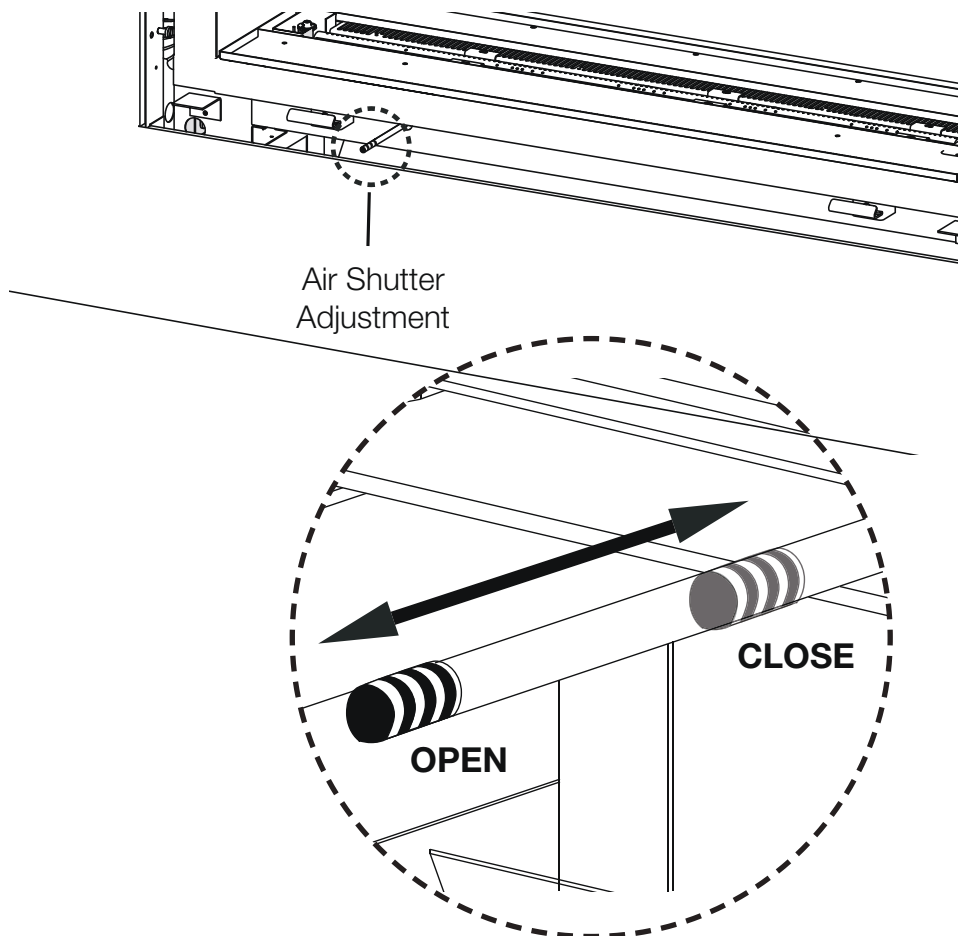
### 13.1 restricting vertical vents

Vertical installations may display a very active flame. If this appearance is not desirable, the vent exit in the appliance must be restricted using a restrictor vent kit. Refer to the “**replacement parts**” section of the owner’s manual for the appropriate kit. This will reduce the velocity of the exhaust gases, slowing down the flame pattern and creating a more traditional gentle flame appearance. Specific instructions are included with the kit.

### 13.2 venturi adjustment

This appliance is equipped with an externally adjustable air shutter that is **not** preset from factory. Any adjustments made to the shutter **must** be done with door installed, including the burner and all media installed into the appliance. It is important to operate the appliance and verify that the air shutter is opened to the correct amount to prevent either flame lifting or carbonizing and to optimize the appearance of the flame. To open or close the shutter, pull the rod away from the appliance or push the rod towards the appliance respectively.

Small adjustments on the shutter can have a drastic effect on the flame appearance; it is recommended to adjust the shutter in 1/8” increments.



#### **! WARNING**

- Air shutter adjustment must be done by a qualified installer

Regardless of air shutter location closing the air shutter will cause a more yellow flame, but can lead to carbonization. Opening the air shutter will cause a more blue flame, but can cause flame lifting from the burner ports. The flame may not appear yellow immediately, allow 15 to 30 minutes for the flame colour to be established.

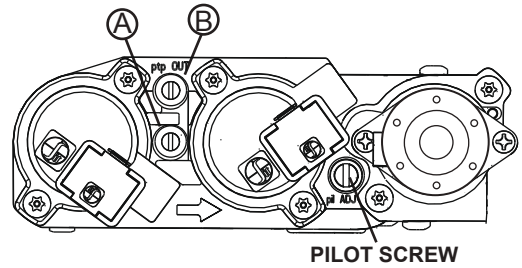
### 13.3 pilot burner adjustment

Adjust the pilot screw to provide properly sized flame. Turn in a clockwise direction to reduce the gas flow.

**Check Pressure Readings:**

Inlet pressure can be checked by turning screw (A) counter-clockwise 2 or 3 turns and then placing pressure gauge tubing over the test point. Gauge should read as described on the chart below. Check pressure with main burner operating on "HI".

Outlet pressure can be checked the same as above using screw (B). Gauge should read as described on the chart below. Check pressure with main burner operating on "HI".



**After taking pressure readings, be sure to turn screws clockwise firmly to reseal. Do not overtorque.**

Leak test with a soap and water solution.

Prior to pilot adjustment, ensure that the pilot assembly has not been painted. If overspray or painting of the pilot assembly has occurred remove the paint from the pilot assembly, or replace. Fine emery cloth or a synthetic scrub pad (such as Scotch-Brite™) can be used to remove the paint from the pilot hood, electrode and flame sensor.

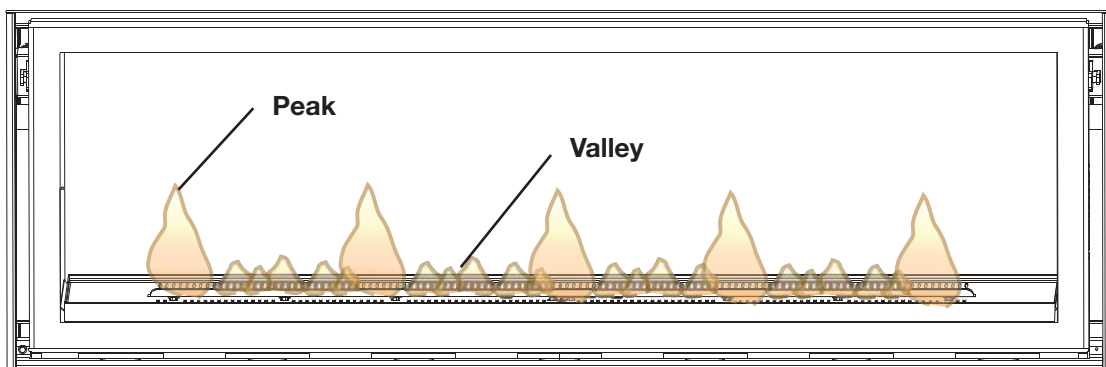
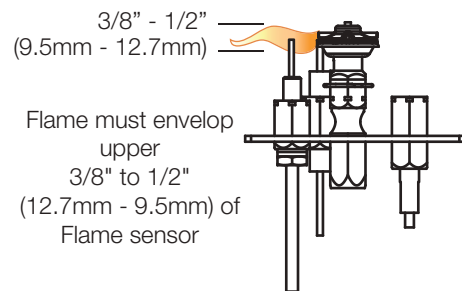
	Natural Gas	Propane
Min. Inlet Gas Supply Pressure	4.5" w.c. (11mb)	11" w.c. (27mb)
Max. Inlet Gas Supply Pressure	*13" w.c. (32mb)	13" w.c. (32mb)
Manifold Pressure (Under Flow Conditions)	3.5" w.c. (9mb)	10" w.c. (25mb)

**\*Maximum inlet pressure not to exceed 13"**

### 13.4 flame characteristics

It's important to periodically perform a visual check of the pilot and burner flames. Compare them to the illustration provided. If any flames appear abnormal, call a service person.

If media trays are not required, remove and install glass media for best flame and LED appearance.



LVX50-1 Illustrated



## 14.0 maintenance

### WARNING

- Turn off the gas and electrical power before servicing the appliance.
- Appliance may be hot. Do not service until appliance has cooled.
- Do not use abrasive cleaners on glass.
- Do not paint the pilot assembly.

This appliance and its venting system should be inspected before use and at least annually by a qualified service person. The following suggested checks should be performed by a qualified technician. The appliance area must be kept clear and free of combustible materials, gasoline, or other flammable vapors and liquids. The flow of combustion and ventilation air must not be obstructed.

#### note:

Caution: Label all wires prior to disconnection when servicing controls. Wiring errors can cause improper and dangerous operation. Verify proper operation after servicing.

1. In order to properly clean the burner and pilot assembly, remove the logs, rocks and/or glass to expose both assemblies.
2. Keep the control compartment, media, burner, air shutter opening and the area surrounding the appliance clean by vacuuming or brushing, at least once a year.
3. Check to see that all burner ports are burning. Clean out any of the ports which may not be burning or are not burning properly.
4. Check to see that the pilot flame is large enough to engulf the flame sensor and/or thermocouple / thermopile as well as it reaches the burner.
5. If your appliance is equipped with a safety barrier, cleaning may be necessary due to excessive lint / dust from carpeting, pets, etc. simply vacuum using the brush attachment.
6. If your appliance is equipped with relief doors, ensure the system performs effectively. Check that the gasket is not worn or damaged. Replace if necessary.
7. Replace the cleaned logs, rocks or glass. Failure to properly position the media may cause carboning which can be distributed in the surrounding living area, inside the firebox and on exterior surfaces surrounding vent termination.
8. Check to see that the main burner ignites completely on all ports when turned on. A 5 to 10 second total light-up period is satisfactory. If ignition takes longer, consult your local authorized dealer / distributor.
9. Visually inspect the appliance for carbon build up. Using a small whisk or brush, brush off the carbon and vacuum up or sweep into garbage.
10. **This step is not applicable for Vent Free appliances:** Check to see that the appliance is venting correctly. Ensure chimney system is safe and unobstructed. (If for any reason the vent air intake system is disassembled, re-install and re-seal per the instructions provided for the initial installation).



## 14.1 annual maintenance

### **! WARNING**

- Annual maintenance should be performed by a qualified service technician
- The firebox becomes very hot during operation. Let the appliance cool completely or wear heat resistant gloves before conducting service.
- Never vacuum hot embers.
- Do not paint the pilot assembly

- This appliance will require maintenance which should be planned on an annual basis.
- Service should include cleaning, battery replacement, venting inspection and inspection of the burner, media, and firebox. Refer to the door removal section and remove the door as instructed.
- Carefully remove media if necessary (logs, glass, brick panels, etc.).
- Using a vacuum with soft brush attachment, gently remove any dirt, debris, or carbon build up from the logs, firebox, and burner. For glass media, follow the installation instructions for pre-cleaning.
- Gently remove any build-up on the pilot assembly including thermopile, thermocouple, flame sensor, and igniter (if equipped).

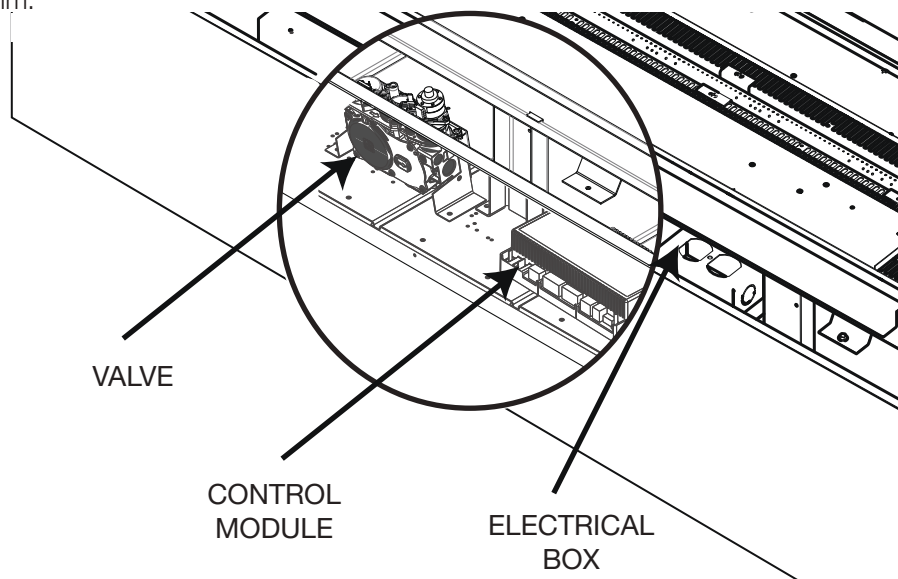
#### **note:**

Clean flame sensor using a fine emery cloth or a synthetic scrub pad (such as Scotch-Brite™) to remove any oxides. Clean the pilot assembly using a vacuum with a soft brush attachment. It is important that the pilot assembly is not painted.

- Inspect all accessible gaskets and replace as required.
- If equipped with a blower, access the blower and clean using a soft brush and vacuum.
- Re-assemble the various components in reverse order.
- Inspect the relief system. The appliance relieves through the main glass door or through the flaps on the firebox top. Ensure they open freely, and close sealed.
- Check the gas control valve pilot and Hi / Lo knobs move freely, if equipped. Replace if any stiffness in movement is experienced.
- Check for gas leaks on all gas connections up and downstream from the gas valve including pilot tube connections.

## 14.2 control access

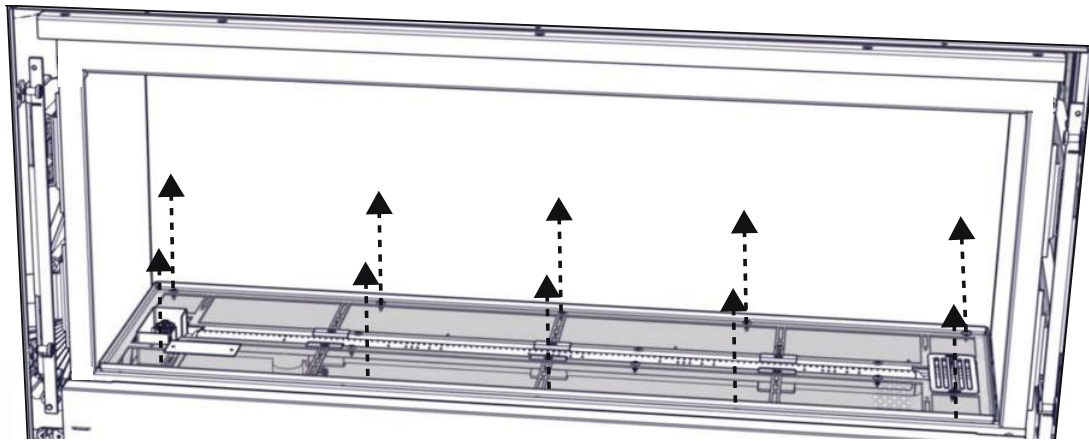
Access to the control can be done through the firebox by removing the glass guard assembly, glass door and front trim.



# maintenance

## 14.3 burner removal

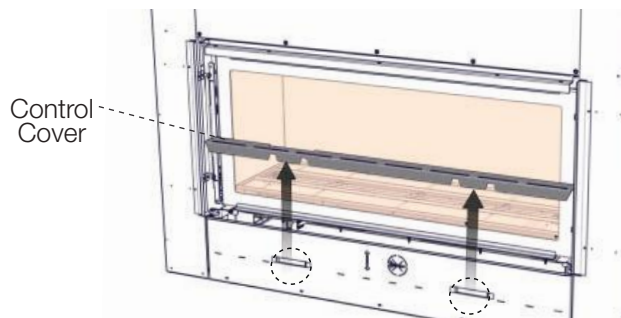
- A. Remove the GGA-1 and glass door, refer to the “glass guard installation / removal” & “door installation / removal” sections for details.
- B. Remove the control cover from the appliance by sliding it up and out of the clips of the front cover.
- C. Remove the media from the appliance.
- D. Remove the pilot housing by removing the screws.
- E. Remove the screws that secure the media tray in place. Lift the burner assembly up and out of the appliance.



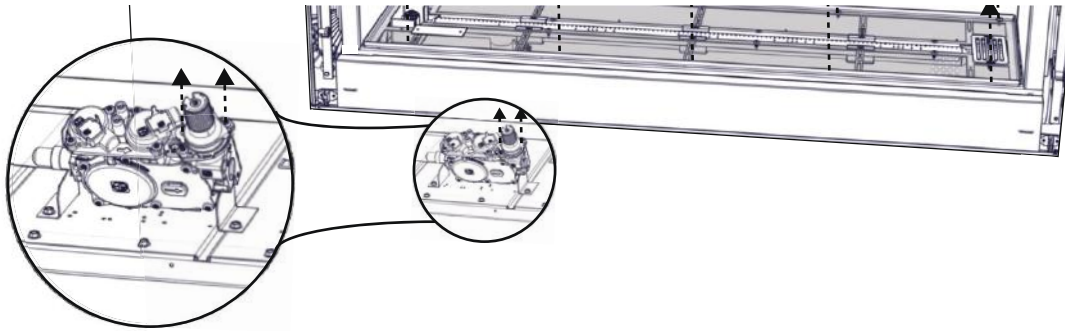
LVX38-1 Illustrated

## 14.4 valve removal

- A. Remove the GGA-1 and glass door, refer to the “glass guard installation / removal” & “door installation / removal” sections for details.
- B. Remove the control cover from the appliance by sliding it up and out of the clips of the front cover.
- C. Remove the media tray and burner assembly, refer to the “burner removal” section for details.

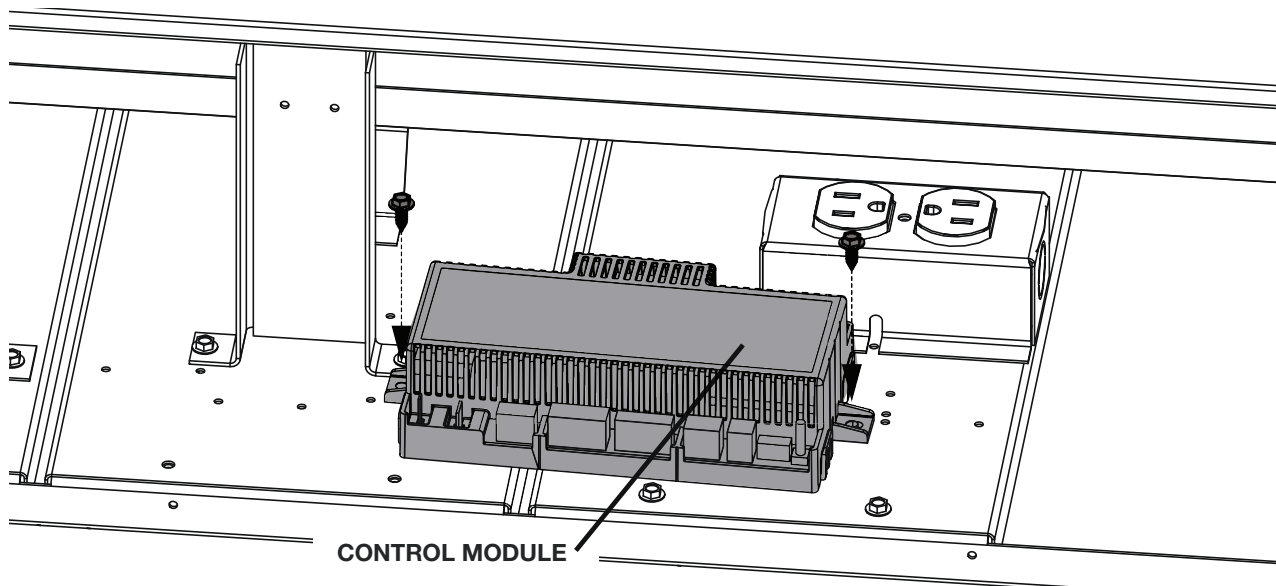


- D. Disconnect the flex connector from the valve. Remove the valve wire connections, labeling each one to aid with re-connection.
- E. Remove the screws from the valve bracket and remove the valve.
- F. Replace all components before returning the appliance to service.
- G. Check for gas leaks by brushing on a soap and water solution.



## 14.5 control module removal

- A. Remove the GGA-1 and glass door, refer to the “glass guard installation / removal” & “door installation / removal” sections for details.
- B. Remove the control cover from the appliance by sliding it up and out of the clips of the front cover.
- C. Remove the two screws holding the control module in place, unplug and remove.
- D. Ensure to identify the wires plugged into the control module. It is critical that wires are reconnected to the appropriate connectors.
- E. Replace and reinstall components.

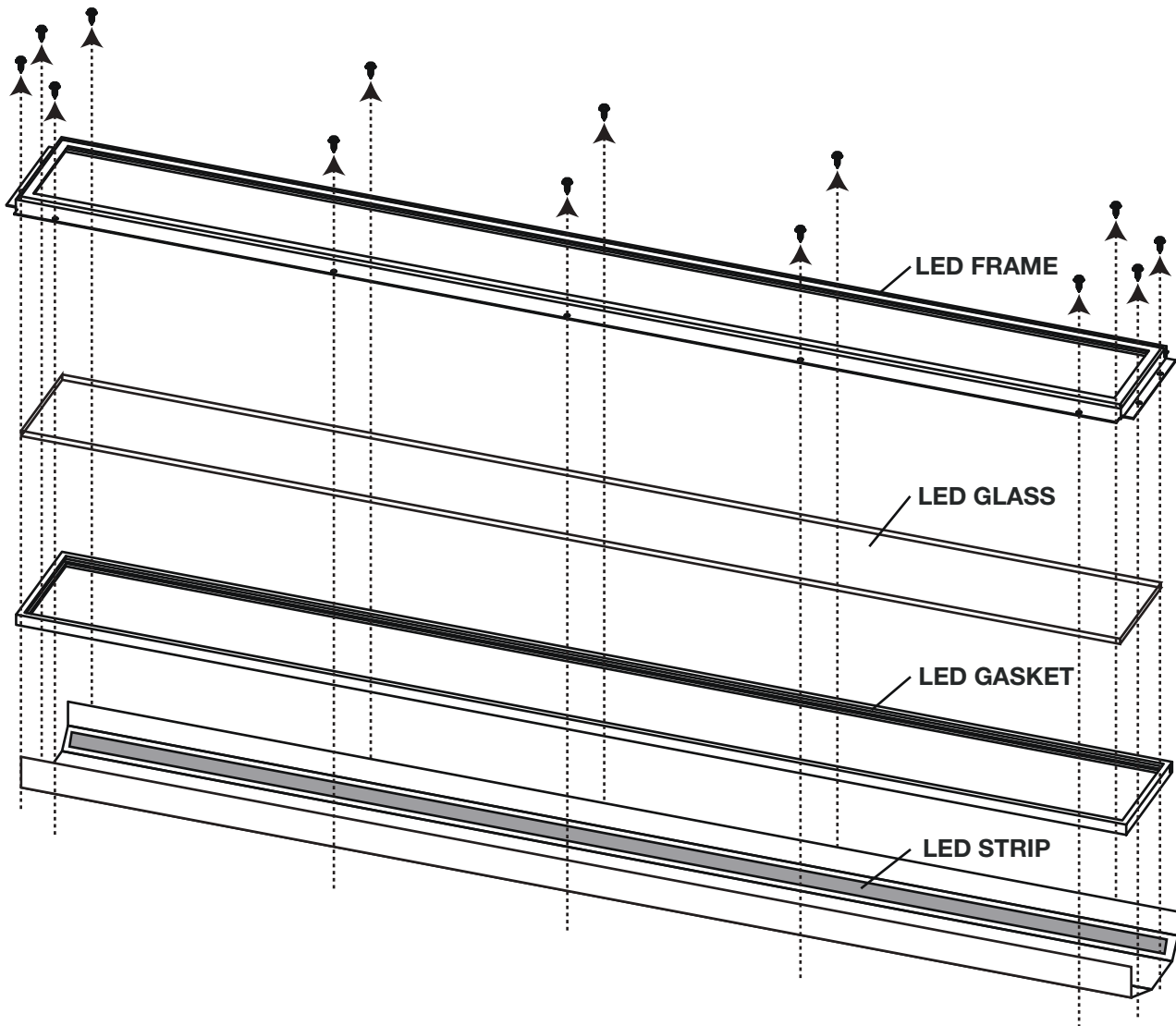


# maintenance

## 14.6 LED replacement

This appliance comes equipped with an LED strip. If in the event the LED strip needs to be replaced, follow these instructions.

- A. Turn off all electrical supply.
- B. Remove the GGA-1 and glass door, refer to the “Glass Guard installation/removal” & “door installation/removal” sections for details.
- C. Remove the control cover from the appliance by sliding it up and out of the clips of the front cover.
- D. Remove the media tray and burner assembly, refer to the “burner removal” section for details.
- E. Unplug the LED strip from the control module.
- F. Remove the LED glass by removing the screws securing the LED frame in place, then lift it up and out of the appliance.
- G. Remove the LED strip by removing the four securing screws, replace and reinstall components.



LVX38-1 Illustrated

## 14.7 glass / door replacement

### **WARNING**

- Do not use substitute materials.
- Glass may be hot. Do not touch glass until cooled.
- Care must be taken when removing and disposing of any broken door glass or damaged components. Be sure to vacuum up any broken glass from inside appliance before operation.
- Do not strike, slam, or scratch. Do not operate appliance with glass removed, cracked, broken, or scratched.

Replacement glass/frame assembly shall be replaced as a complete unit as supplied by the appliance manufacturer.

## 14.8 care of glass

### **WARNING**

- Do not clean glass when hot! Do not use abrasive cleaners to clean glass.

Buff lightly with a clean dry soft cloth to remove accumulated dust or fingerprints. Clean both sides of the glass after the first 4 hours of operation with an ammonia-free glass cleaner.

**note:**

Vinegar-based glass cleaners have demonstrated an ability to provide a clean, streak free glass surface.

Thereafter, clean as required. If the glass is not kept clean permanent discoloration and / or blemishes may result. Contact you local authorized dealer / distributor for complete cleaning instructions.

Razor blades, steel wool, or other metallic objects must not be used on both surfaces of the glass. Doing so can remove a thin layer of metal from the razor blades, steel wool, or other metallic objects that may then be deposited onto the coating. This can result in a discoloured stain or scratch-like mark. More importantly, this can scratch the glass surface, thereby reducing its strength.

Do not operate the appliance with broken glass, as leakage of flue gases may result.

Contact your local authorized dealer / distributor for complete cleaning instructions.

If the glass should ever crack or break while the fire is burning, do not open the door until the fire is out. Do not operate the appliance until the glass has been replaced. Contact you local authorized dealer / distributor for

## 14.9 care of plated parts

If the appliance is equipped with plated parts, you must clean fingerprints or other marks from the plated surfaces before operating the appliance for the first time. Use an ammonia-free or vinegar-based cleaner and a towel to clean. If not cleaned properly before operating for the first time, the marks can cause permanent blemishes on the plating. After the plating is cured, the fingerprints and oils will not affect the finish and little maintenance is required, just wipe clean as needed. Prolonged high temperature burning with the door ajar may cause discoloration on plated parts.

**note:**

The protective wrap on plated parts is best removed when the assembly is at room temperature but this can be improved if the assembly is warmed (i.e. using a hair dryer or similar heat source).

This appliance is factory equipped with 5mm ceramic glass. Use only replacement parts as supplied by the appliance manufacturer. **DO NOT SUBSTITUTE MATERIALS**

## 15.0 replacement parts

### **WARNING**

- Failure to position the parts in accordance with this manual or failure to use only parts specifically approved with this appliance may result in property damage or personal injury.

Contact your dealer for questions concerning prices and policies on replacement parts. Normally, all parts can be ordered through your Authorized dealer / distributor.

**For warranty replacement parts, a photocopy of the original invoice will be required to honour the claim.**

When ordering replacement parts always give the following information:

- Model & Serial Number of appliance
- Installation date of appliance
- Part number
- Description of part
- Finish

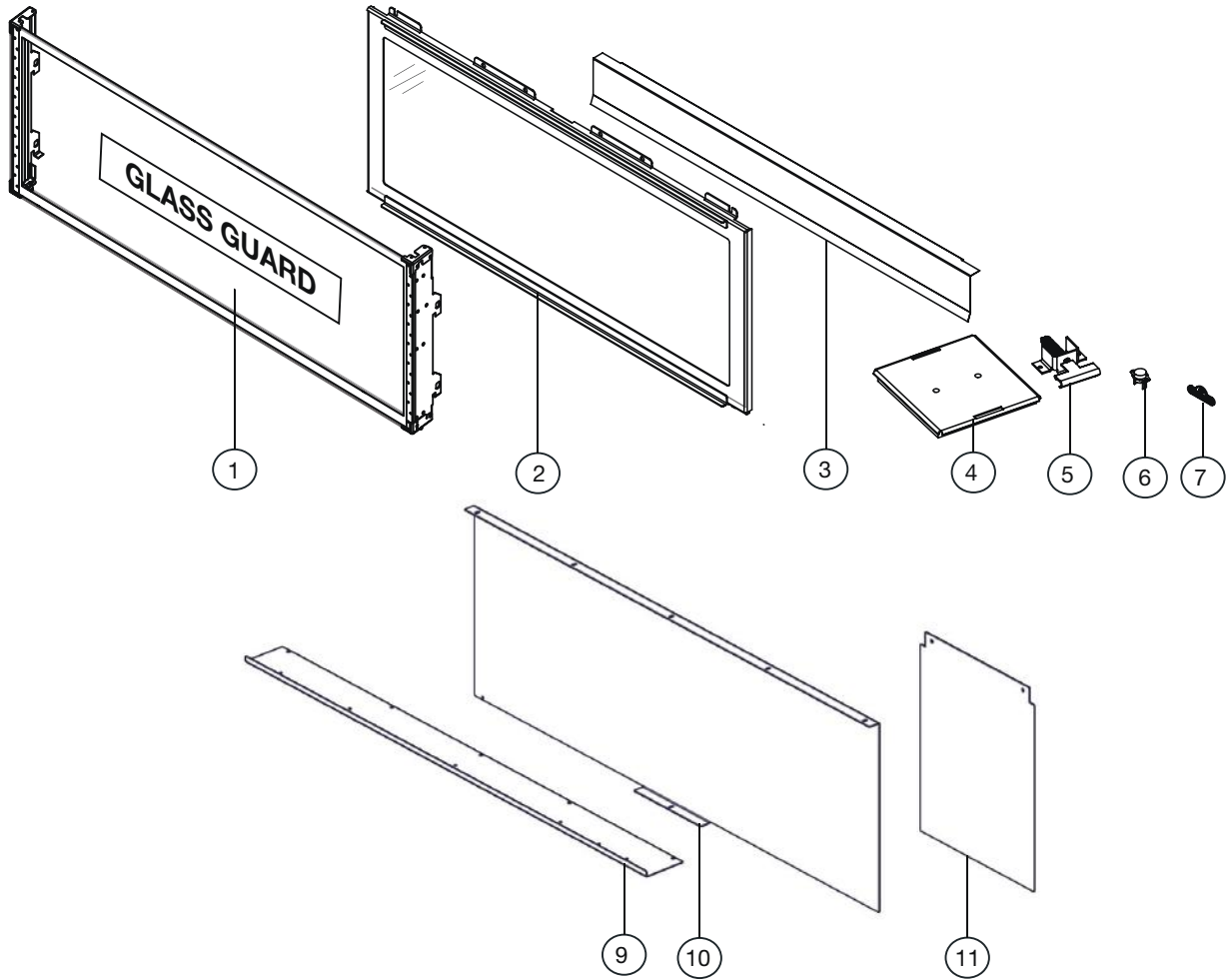
**Parts, part numbers, and availability are subject to change without notice.**

**Parts identified as stocked will be delivered within 2 to 5 business days for most delivery destinations.**

**Parts not identified as stocked will be delivered within a 2 to 4 week period, for most cases.**

**Parts identified as 'SO' are special order and can take up to 90 days for delivery.**

15.1 overview



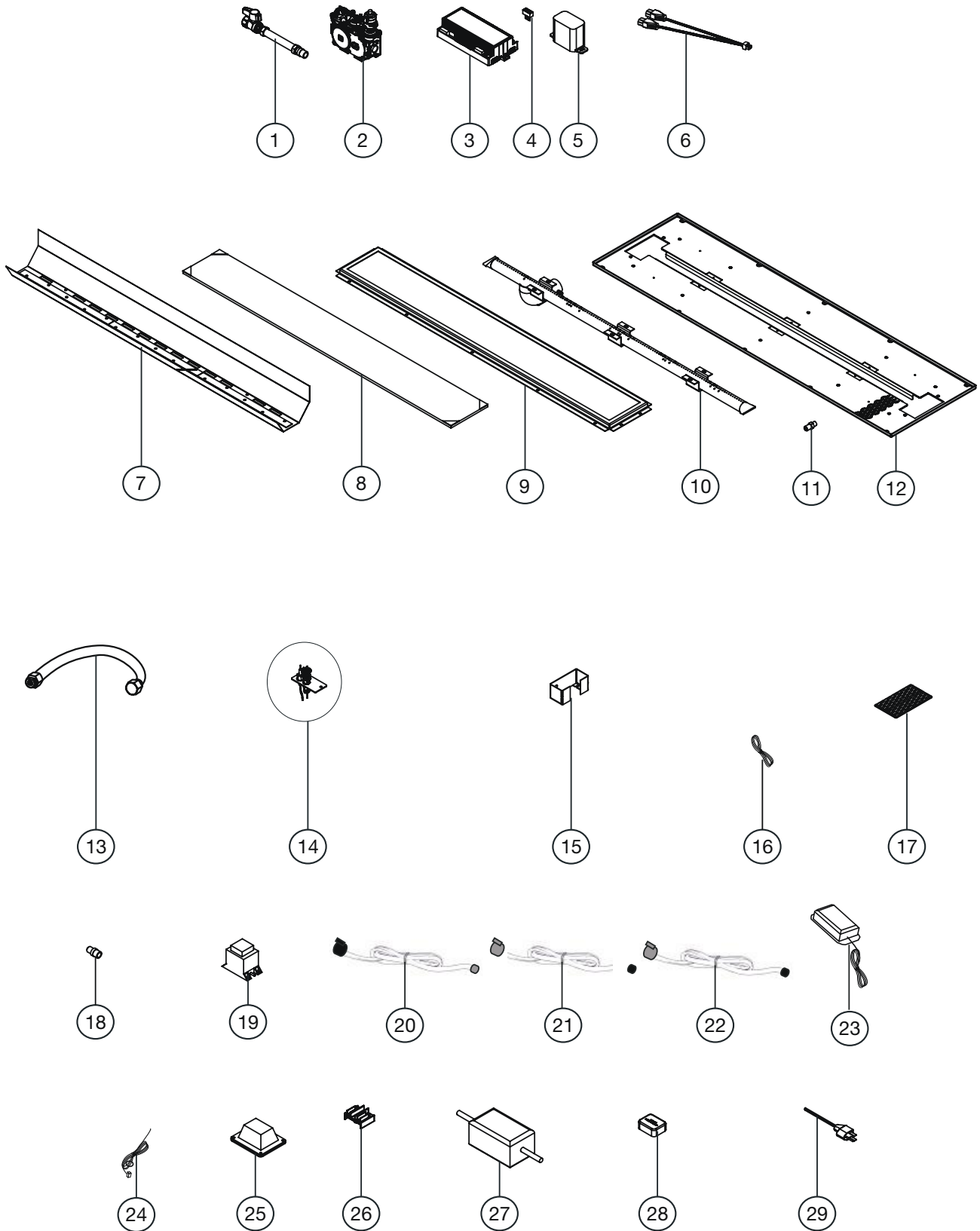
Items may not appear exactly as illustrated

REF. #	Description	Part Number				Stocked
		LVX38-1	LVX50-1	LVX62-1	LVX74-1	
1	Glass Guard Assembly	GGA38-1	GGA50-1	GGA62-1	GGA74-1	
2	Fixed Door Assembly	W010-4198-SER	W010-4162-SER	W010-4202-SER	W010-4090-SER	
2	Access Door Assembly (See-thru)	W010-4198-SER	W010-4162-SER	W010-4202-SER	W010-4090-SER	
3	Door Trim	W715-1158-SER	W715-1159-SER	W715-1162-SER	W715-1163-SER	
4	Relief Door Assembly	N/A	W010-1426			
5	Door Latch Assembly	W010-3554				
6	High Limit Switch	W660-0204				
7	Napoleon Logo	W385-2010				Yes
*8	Heat Rail (w/ gasket)	W010-4257-SER	W010-4258-SER	W010-4259-SER	W010-4260-SER	
9	Media Tray	W710-0104-SER	W710-0107-SER	W710-0099-SER	W710-0098-SER	
10	Porcelain End Panel	W475-1031-BK2GL-SER				
11	Porcelain Panel (Rear)	W475-1409-BK2GL-SER	W475-1419-BK2GL-SER	W475-1422-BK2GL-SER	W475-1414-BK2GL-SER	
12	Latch, elbow	W390-0034				
13	Gasket, silicone glass seal	W290-0383-SER				

\*Part not illustrated

# replacement parts

## 15.2 burner components



Items may not appear exactly as illustrated



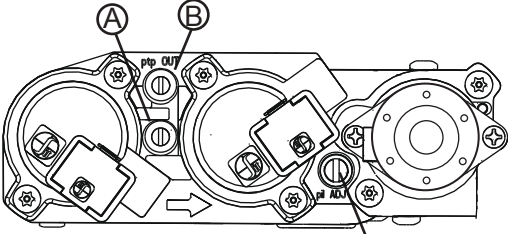
# replacement parts

Ref. #	Description	Part Number				Stocked
		LVX38-1	LVX50-1	LVX62-1	LVX74-1	
1	Flex Connector (c/w Shut-Off)	W175-0217				Yes
2	Valve (NG)	W725-0056				Yes
	Valve (P)	W725-0057				Yes
3	Control Board	W190-0177				Yes
4	Control Board Wiring Harness	W750-0276				Yes
5	Battery Housing	W350-0655				Yes
6	3 Prong Light Pigtail	W750-0358				Yes
7	LED Light Assembly	W010-3661-SER	W010-3652-SER	W010-4079-SER	W010-4078-SER	
8	LED Glass Assembly	W010-3752-SER	W010-3714-SER	W010-4071-SER	W010-4070-SER	
9	LED Cover	W200-0543-SER	W200-0499-SER	W200-0653-SER	W200-0652-SER	
10	Burner Assembly (NG)	W100-0225-SER	W100-0224-SER	W100-0221-SER	W100-0226-SER	
	Burner Assembly (P)	W100-0232	W100-0234	W100-0233	W100-0269	
11	Burner Orifice (NG)	W456-0037	W456-0033	W455-0144	W455-0141	Yes
	Burner Orifice (P)	W456-0053	W456-0052	W456-0051	W456-0049	
12	Media Tray Assembly	W010-4140-SER	W010-4139-SER	W010-4136-SER	W010-4138-SER	
13	Manifold (Flex)	W432-0533				
14	Pilot Assembly (NG)	W010-2763				Yes
	Pilot Assembly (P)	W010-2808				Yes
15	Pilot Housing	W350-0800-SER				
16	PF2 Wire Harness	W750-0276				Yes
17	Media Cover Assembly	W010-4211-SER				
18	Connector	W445-0038				Yes
19	Transformer	W707-0019				Yes
20	LED Wire (Black)	W750-0432		W750-0433		
21	LED Wire (White)	W750-0430	W750-0401	W750-0430	W750-0401	
22	LED Aux Wire	W750-0434				
23	LED Controller	W190-0125				
24	Bluetooth Wire Harness	W750-0435				
25	Light, Accent	W405-0049-SER				Yes
26	Terminal	N/A		W060-0008		Yes
27	Transformer (Night Light)	W707-0019		W707-0027		Yes
28	Bluetooth Module	W190-0090				Yes
29	Power Cord	W750-0294				

# 16.0 troubleshooting

## ! WARNING

- Always light the pilot whether for the first time or if the gas supply has run out, with the glass door open or removed.
- Turn off gas and electrical power before servicing the appliance.
- Appliance may be hot. Do not service until appliance has cooled.
- Do not use abrasive cleaners

symptom	problem	test solution
Main burner flame is a blue, lazy, transparent flame.  (This is not applicable in outdoor appliances)	Blockage in vent.  Incorrect installation.	- Remove blockage. In really cold conditions, ice buildup may occur on the terminal and should be removed as required. (To minimize this from reoccurring, the vent lengths that pass through unheated spaces (attics, garages, crawl spaces) should be wrapped with an insulated mylar sleeve).  - Refer to “venting” section to ensure correct installation.
Flames are consistently too large or too small. Carboning occurs.	Appliance is over-fired or under-fired.	- <b>Check pressure readings:</b> Inlet pressure can be checked by turning screw (A) counter-clockwise 2 or 3 turns and then placing pressure gauge tubing over the test point. Gauge should read as described on the chart below. Check that main burner is operating on ‘HI’. Outlet pressure can be checked the same as above using screw (B). Gauge should read as described on the chart below. Check that main burner is operating on ‘HI’. <b>After taking pressure readings, be sure to turn screws clockwise firmly to reseal. DO NOT OVER TORQUE.</b> Leak test with a soap and water solution.
		 <p style="text-align: center;"><b>PILOT SCREW</b></p>
	Air shutter improperly adjusted.	- Return air shutter to specified opening, see “venturi adjustments” section in the installation manual.
Carbon is being deposited on glass, logs, rocks, media, or combustion chamber surfaces.	Air shutter is blocked.  Flame is impinging on the glass, logs, rocks, media or combustion chamber.	- Ensure air shutter opening is free of lint or other obstructions.  - Ensure the media is positioned correctly in the appliance. - Open air shutter to increase the primary air. - Check the input rate: check the manifold pressure and orifice size as specified by the rating plate. - Ensure door gaskets are not broken or missing and the seal is tight. - Ensure vent liners are free of holes and well sealed at all joints. - Check that minimum rise per foot (meters) has been adhered to for any horizontal venting.
White / grey film forms.	Sulphur from fuel is being deposited on glass, logs, or combustion chamber surfaces.	- Clean the glass with a recommended gas fireplace glass cleaner. <b>DO NOT CLEAN GLASS WHEN HOT.</b> - If deposits are not cleaned off regularly, the glass may become permanently marked.
Exhaust fumes smelled in room, headaches.	Appliance is spilling. (This is not applicable in outdoor appliances).	- Check door seal. - Check for exhaust damage. - Check that venting is installed correctly. - Room is in negative pressure; increase fresh air supply.

symptom	problem	test solution
Pilot will not light. Makes noise with no spark at pilot burner.	Wiring: short, loose, or damaged connections (poor flame rectification).	<ul style="list-style-type: none"> <li>- Verify the thermocouple/sensor is clean and the wiring is undamaged.</li> <li>- Verify the interrupter block is not damaged or too tight. Verify connections from pilot assembly are tight; also verify the connections are not grounding out to any metal. (Remember, the flame carries the rectification current, not the gas. If flame lifts from pilot hood, the circuit is broken. A wrong orifice or too high of an inlet pressure can cause the pilot flame to lift)*. The sensor rod may need cleaning.</li> </ul>
	No signal from remote with no pilot ignition.	<ul style="list-style-type: none"> <li>- Reprogram receiver code.</li> <li>- Replace receiver.</li> </ul>
	Poor grounding.	<ul style="list-style-type: none"> <li>- Verify the valve / pilot assembly are properly grounded</li> </ul>
	Improper switch wiring.	<ul style="list-style-type: none"> <li>- Troubleshoot the system with the simplest <b>on/off</b> switch.</li> </ul>
	Dirty, painted, or damaged pilot and/or dirty sensor rod.	<ul style="list-style-type: none"> <li>- Clean sensor rod with a green Scotch-Brite™ pad to remove any contamination that may have accumulated. Verify continuity with multimeter with ohms set at the lowest range.</li> </ul>
Pilot sparks but will not light.	Gas supply.	<ul style="list-style-type: none"> <li>- Verify that the incoming gas line ball valve is “open”.</li> <li>- Verify that the inlet pressure reading is within acceptable limits, inlet pressures must not exceed 13” W.C. (32.4mb).</li> </ul>
	Out of propane gas.	<ul style="list-style-type: none"> <li>- Fill the tank.</li> </ul>
	Pilot supply line may contain air.	<ul style="list-style-type: none"> <li>- Repeat ignition process several times or purge the pilot supply line.</li> </ul>
	Incorrect wiring / grounding.	<ul style="list-style-type: none"> <li>- Ensure correct polarity of wiring of thermocouple (if equipped).</li> <li>- Verify pilot assembly / valve are properly grounded.</li> </ul>
	Receiver (if equipped).	<ul style="list-style-type: none"> <li>- Reset program: hold reset button on receiver and wait for 2 beeps. Release after second beep. Press small flame button on remote within 20 seconds, you will hear an additional beep (this signals a successful reset).</li> <li>- Replace receiver.</li> </ul>
	Valve.	<ul style="list-style-type: none"> <li>- Check valve and replace if necessary (Do not to overtighten thermocouple).</li> </ul>
Burner continues to spark and pilot lights but main burner does not light.	Short or loose connection in sensor rod.	<ul style="list-style-type: none"> <li>- Verify all connections. Verify the connections from the pilot assembly are tight. Also, verify these connections are not grounding out to any metal.</li> </ul>
	Dirty, painted, or damaged pilot assembly components.	<ul style="list-style-type: none"> <li>- Clean using a green Scotch-Brite™ pad to remove any contamination that may have accumulated on the sensor rod, pilot hood, ignitor, or flame sensor. Verify continuity with multimeter with ohms set at the lowest range.</li> </ul>
Remote wall switch is in “off” position; burner comes on.	Wall switch mounted upside down.	<ul style="list-style-type: none"> <li>- Reverse.</li> </ul>
	Remote wall switch and/or wire is grounding.	<ul style="list-style-type: none"> <li>- Replace.</li> <li>- Check for ground (short); repair ground or replace wire.</li> </ul>
	Faulty wire	<ul style="list-style-type: none"> <li>- Replace.</li> </ul>
Remote and / or receiver is not functioning properly.	Remote controls lights but no spark or flame. (Remote is locked out).	<ul style="list-style-type: none"> <li>- Reset by turning power source off then on.</li> </ul> <div style="border: 1px solid black; padding: 5px; margin-top: 5px;"> <p><b>note:</b> If back up batteries are installed, they must also be removed to re-program</p> </div>
	Receiver or remote has low battery.	<ul style="list-style-type: none"> <li>- Replace batteries.</li> </ul>
	Appliance functions but does not respond to receiver / remote	<ul style="list-style-type: none"> <li>- Ensure appliance is being operated by the same device that turned it on. Remote controls function if appliance was turned on by remote. Receiver controls function if appliance was turned on by receiver.</li> </ul>
	Error with synchronizing.	<ul style="list-style-type: none"> <li>- Reset receiver and remote.</li> </ul>
	Remote too far away from receiver.	<ul style="list-style-type: none"> <li>- Refer to “wiring diagram” section.</li> </ul>
	Wire connector pins are bent.	<ul style="list-style-type: none"> <li>- Straighten pins.</li> </ul>
	Valve wiring is damaged.	<ul style="list-style-type: none"> <li>- Replace valve.</li> </ul>

# troubleshooting

symptom	problem	test solution
Lights or blower won't function (if equipped).	Control module switch in wrong position.	- Verify ON/OFF switch is in the "I" position which denotes on.
	COM switch is unplugged.	- Verify "COM" switch is plugged into the front of the control module.
Flames are very aggressive.	Door is ajar.	- Ensure door is secured properly.
	Venting action is too great.	- Check to ensure venting is properly sealed or restrict vent exit with restrictor plate. (Not available in all appliances).
Appliance won't perform any functions.	No power to the system.	- Check breaker to verify it's in the "on" position.
	Receiver switch in wrong position (if equipped).	- Verify that the 3 position switch on the receiver is in the remote position (middle).
	Transmitter isn't operational.	- Check battery power and battery orientation.

symptom	problem	test solution
---------	---------	---------------

**The following applies specifically to the SIT system only:**

Pilot will not light. Makes no noise with no spark at pilot burner. (Lights and blower operate, if equipped).	Ignition box has been locked out.	Choose one of the 3 methods below to reset the system.
		<ol style="list-style-type: none"> <li>To reset ignition box when locked out. Turn off power supply and remove batteries (if used) from the back up battery pack.</li> <li>To reset the DFC Board when the board goes into a lock out condition and the LED is blinking 3 times using the transmitter <b>on/off</b> button: <ul style="list-style-type: none"> <li><b>Step 1:</b> Turn the system off by pressing the <b>on/off</b> button to turn the system off.</li> <li><b>Step 2:</b> After approximately 2 seconds press the <b>on/off</b> button on the transmitter again. The DFC Board will reset and the ignition sequence will start again.</li> </ul> </li> <li>To reset the DFC Board when the board goes into a lock out condition and the LED is blinking 3 times by cycling flame: <ul style="list-style-type: none"> <li><b>Step 1:</b> In the manual flame control mode, use the down arrow button to reduce the flame to off, indicated by the word OFF displayed on the transmitter LCD screen.</li> <li><b>Step 2:</b> Wait approximately 2 seconds and press the up arrow button, the ignition sequence will start.</li> </ul> </li> </ol>

**note:**

Starting from **off**, press the **on** button on the transmitter. After approximately 4 seconds **on/off** button is pressed, the ignition board will start the spark. The attempt for ignition will last approximately 60 seconds. If there is no flame ignition (rectification), the board will stop sparking and the board will go into lock out.

Napoleon products are manufactured under the strict Standard of the world recognized ISO 9001 : 2015 Quality Management System.

Napoleon products are designed with superior components and materials assembled by trained craftsmen who take great pride in their work. The burner and valve assembly are leak and test-fired at a quality test station. The complete appliance is again thoroughly inspected by a qualified technician before packaging to ensure that you, the customer, receive the quality product that you expect from Napoleon.

## **Napoleon Gas Appliance President's Lifetime Limited Warranty**

The following materials and workmanship in your new Napoleon gas appliance are warranted against defects for as long as you own the appliance. This covers: combustion chamber, heat exchanger, stainless / steel burner, Phazer™ logs and embers, rocks, ceramic glass (thermal breakage only), gold plated parts against tarnishing, porcelainized enameled components and aluminum extrusion trims.\*

Electrical (110V and millivolt) components and wearable parts are covered and Napoleon will provide replacement parts free of charge during the first year of the limited warranty. This covers: blowers, gas valves, thermal switches, switches, wiring, remote controls, ignitors, gaskets and pilot assemblies.\*

Labour related to warranty repair is covered free of charge during the first year (labour warranty is not applicable for the Gas Log Sets). Repair work, however, requires the prior approval of an authorized company official. Labour costs to the account of Napoleon are based on a predetermined rate schedule and any repair work must be done through an authorized Napoleon dealer.

\* Construction of models vary. Warranty applies only to components included with your specific appliance.

## **Conditions and Limitations**

Napoleon warrants its products against manufacturing defects to the original purchaser only. Registering your warranty is not necessary. Simply provide your proof of purchase along with the model and serial number to make a warranty claim. Napoleon reserves the right to have its representative inspect any product or part thereof prior to honouring any warranty claim. Provided that the purchase was made through an authorized Napoleon dealer your appliance is subject to the following conditions and limitations:

Warranty coverage begins on the date of original installation. This factory warranty is non-transferable and may not be extended whatsoever by any of our representatives. The gas appliance must be installed by a licensed, authorized service technician or contractor qualified and authorized installer, service agency or supplier. Installation must be done in accordance with the installation instructions included with the product and all local and national building and fire codes. This limited warranty does not cover damages caused by misuse, lack of maintenance, accident, alterations, abuse or neglect, and parts installed from other manufacturers will nullify this warranty. This limited warranty further does not cover any scratches, dents, corrosion or discoloring caused by excessive heat, abrasive and chemical cleaners nor chipping on porcelain enamel parts, mechanical breakage of Phazer™ logs and embers. This warranty extends to the repair or replacement of warranted parts which are defective in material or workmanship provided that the product has been operated in accordance with the operation instructions and under normal conditions. After the first year, with respect to this President's Lifetime Limited Warranty, Napoleon may, at its discretion, fully discharge all obligations with respect to this warranty by refunding to the original warranted purchaser the wholesale price of any warranted but defective part(s).

After the first year, Napoleon will not be responsible for installation, labour, or any other expenses related to the reinstallation of a warranted part and such expenses are not covered by this warranty. Notwithstanding any provisions contained in the President's Lifetime Limited Warranty, Napoleon's responsibility under this warranty is defined as above and it shall not in any event extend to any incidental, consequential or indirect damages. This warranty defines the obligations and liability of Napoleon with respect to the Napoleon gas appliance and any other warranties expressed or implied with respect to this product, its components or accessories are excluded. Napoleon neither assumes, nor authorizes any third party to assume, on its behalf, any other liabilities with respect to the sale of this product. Napoleon will not be responsible for: over-firing, downdrafts, spillage caused by environmental conditions such as rooftops, buildings, nearby trees, hills, mountains, inadequate vents or ventilation, excessive venting configurations, insufficient makeup air, or negative air pressures which may or may not be caused by mechanical systems such as exhaust fans, furnaces, clothes dryers, etc. Any damages to the appliance, combustion chamber, heat exchanger, plated trim or other components due to water, weather damage, long periods of dampness, condensation, damaging chemicals or cleaners will not be the responsibility of Napoleon.

During the first 10 years Napoleon will replace or repair the defective parts covered by the lifetime warranty at our discretion free of charge. From 10 years to life, Napoleon will provide replacement parts at 50% of the current retail price. The manufacturer may require that defective parts or products be returned or that digital pictures be provided to support the claim. Returned products are to be shipped prepaid to the manufacturer for investigation. If a product is found to be defective, the manufacturer will repair or replace such defect. Before shipping your appliance or defective components, your dealer must obtain an authorization number. Any merchandise shipped without authorization will be refused and returned to sender. Shipping costs are not covered under this warranty. Additional service fees may apply if you are seeking warranty service from a dealer. Warranty labour allowance is only for the replacement of the warranted part. Travel, diagnostic tests, shipping and other related charges are not covered by this warranty.

# NAPOLEON CELEBRATING OVER 40 YEARS OF HOME COMFORT PRODUCTS



7200, Route Transcanadienne, Montréal, Québec H4T 1A3  
24 Napoleon Road, Barrie, Ontario, Canada L4M 0G8  
214 Bayview Drive, Barrie, Ontario, Canada L4N 4Y8  
103 Miller Drive, Crittenden, Kentucky, USA 41030

Phone: 1-866-820-8686  
[napoleon.com](http://napoleon.com)





# MANUEL D'INSTALLATION

Séries Luxuria<sup>MD</sup>  
(LVX38-1 Illustré)

## CONSIGNES DE SÉCURITÉ

### **! AVERTISSEMENT**

#### **RISQUE D'INCENDIE OU D'EXPLOSION**

Incapacité à suivre ces avertissements exactement peuvent entraîner de grave blessures, des pertes de vie ou des dommages matériels.

- N'entreposez pas et n'utilisez pas d'essence ou autres liquides et vapeurs inflammables à proximité de cet appareil ou tout autre appareil.

#### **- QUE FAIRE SI VOUS DÉTECTEZ UN ODEUR DE GAZ:**

- N'allumez aucun appareil.
- Ne touchez à aucun interrupteur électrique; n'utilisez aucun téléphone dans votre immeuble.
- Appelez immédiatement votre fournisseur de gaz d'un téléphone voisin. Suivez ses instructions.
- Si vous ne pouvez pas rejoindre votre fournisseur de gaz, appelez le service des incendies.

- L'installation et l'entretien doivent être faits par un installateur qualifié, une agence d'entretien ou le fournisseur.

Cet appareil peut être installé dans une maison préfabriquée (mobile) déjà installée à demeure si les règlements locaux le permettent.

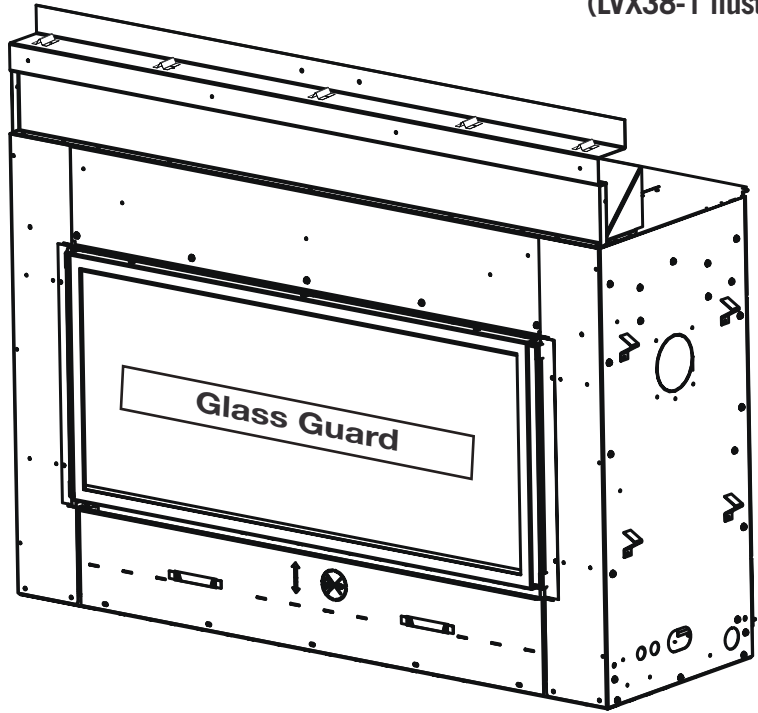
Cet appareil doit être utilisé uniquement avec le type de gaz indiqué sur la plaque d'homologation. Cet appareil ne peut être converti à d'autres gaz, sauf si une trousse de conversion est utilisée.

#### **INSTALLATEUR:**

Laissez ce manuel avec l'appareil

#### **PROPRIÉTAIRE:**

Conservez ce manuel pour consultation ultérieure



CET APPAREIL EST INSTALLÉ AVEC



**POUR USAGE INTÉRIEUR SEULEMENT**

**CERTIFIÉ SELON LES NORMES NATIONALES CANADIENNES ET AMÉRICAINES:  
CSA 2.22 ET ANSI Z21.50 POUR LES APPAREILS À GAZ DÉCORATIF À ÉVACUATION**

**PLACER L'ÉTIQUETTE BARCODE SUR  
LE MANUEL DU PROPRIÉTAIRE**



## AVERTISSEMENT

- **Cet appareil est chaud lorsqu'il fonctionne et peut causer de graves brûlures en cas de contact.**
- **Toute modification apportée à cet appareil ou aux contrôles peut être dangereuse et est interdite.**
- Ne faites pas fonctionner l'appareil avant d'avoir lu et compris les instructions d'opération. Omettre d'utiliser l'appareil selon les instructions d'opération pourrait causer un incendie ou des blessures.
- S'assurez que la porte vitrée est ouvert ou retiré de l'appareil lorsque vous allumer le pilote pour la première fois et lorsque le gaz est épuisé.
- Risque d'incendie ou d'asphyxie, ne faites pas fonctionner l'appareil avec la vitre retirée et jamais obstruer l'ouverture sur le devant de l'appareil.
- Ne branchez pas la soupape à du courant 110 volts, avec les exception de modèles; GSST8 et GT8.
- Risque de brûlures. L'appareil doit être éteint et refroidi avant d'effectuer un entretien.
- N'installez pas de composants endommagés ou incomplets ni des composants substitués.
- Risque de coupures et d'éraflures. Portez des gants protecteurs, des chaussures de protection et des lunettes de sécurité lors de l'installation. Les bordures des pièces de métal peuvent être coupantes.
- Ne brûlez pas de bois ou autres matériaux dans cet appareil.
- Assurez-vous d'une quantité suffisante d'air de combustion et de ventilation. Prévoyez un accès suffisant pour entretenir et opérer l'appareil.
- Haute pression endommagera la soupape. Débrancher la tuyauterie d'alimentation en gaz avant de tester la pression de ligne de gaz à la pression d'essai au-dessus de 1/2 psig. Fermer l'arrêt manuelle du soupape avant de tester la pression de ligne de gaz à la pression égale ou inférieure à 1/2psig (35mb).
- L'appareil ne doit pas être utilisé au températures au-dessous de zero (32°f / 0°c). Permettre à l'appareil pour réchauffer au-dessus de zero avant le fonctionnement, avec l'exception de modèles; GSS36, GSS42; ces appareil sont adaptés pour 0°F / -18°C.
- **Les enfants et les adultes devraient être informés des dangers que posent les températures de surface élevées et se tenir à distance afin d'éviter des brûlures ou que leurs vêtements ne s'enflamment.**
- **Les jeunes enfants doivent être surveillés attentivement lorsqu'ils sont dans la même pièce que l'appareil. Les jeunes enfants et autres personnes à risque sont sujets aux brûlures accidentelles. Une barrière de protection est recommandée si des individus à risque se trouvent dans la maison. Afin de restreindre l'accès à l'appareil, installez une barrière de protection ajustable pour garder les jeunes enfants ou autres personnes à risque hors de la pièce et loin des surfaces chaudes.**
- **Les vêtements et autres matériaux combustibles ne doivent pas être posés sur l'appareil ou à proximité.**
- **En raison des températures élevées, l'appareil devrait être placé loin des endroits passants et loin des meubles et des rideaux.**
- Les meubles ou autres objets doivent être gardés à une distance d'au moins 4 pieds (1.22m) du devant de l'appareil.
- Assurez-vous de disposer de mesures de sécurité adéquates pour empêcher les jeunes enfants de toucher aux surfaces chaudes.
- Même une fois que l'appareil est éteint, l'appareil demeurera chaud pendant un temps prolongé.
- Consultez votre détaillant local de l'appareil pour connaître les écrans de protection et les protection du foyer offerts pour protéger les enfants des surfaces chaudes. Ces écrans de protection et les protection du foyer doivent être fixés au plancher.
- **Tout écrans de protection, garde ou barrière enlevés pour faire l'entretien devront être remis en place avant d'utiliser l'appareil.**
- Il est primordial de garder propres les compartiments de contrôle, les brûleurs, la soufflerie, les bouches d'air de l'appareil ainsi que le système d'évacuation. L'appareil et son système d'évacuation doivent être inspectés avant la première utilisation et au moins une fois l'an par un spécialiste en entretien. Un entretien plus fréquent pourrait être nécessaire en raison des peluches provenant des tapis, literie, etc. L'emplacement de l'appareil doit être gardé libre de tous matériaux combustibles, essence ou autres liquides et vapeurs inflammables.
- Si l'appareil s'éteint, n'allume pas l'appareil jusqu'à ce que vous donner de l'air frais. Si l'appareil continue de s'éteindre, faire réparer. Garder propres le brûleur et le compartiment de contrôle.
- Cet appareil ne devra être modifié en aucun cas.
- Ne laissez pas les ventilateurs souffler directement sur l'appareil. Empêchez les courants d'air de modifier l'apparence de la flamme.

## AVERTISSEMENT



**LA VITRE CHAUDE CAUSERA DES BRÛLURES.**

**NE PAS TOUCHER LA VITRE AVANT QU'ELLE AIT REFROIDI.**

**NE JAMAIS LAISSER LES ENFANTS TOUCHER LA VITRE.**

Une barrière conçu à réduire le risque de brûlures causées par le verre chaud est fourni avec l'appareil et sera installé pour la protection des enfants et d'autres personnes à risque.



## AVERTISSEMENT

- N'utilisez pas une soufflerie intégrée, un échangeur de chaleur intégré ni un autre accessoire non approuvé pour cet appareil.
- Cet appareil ne doit pas être raccordé au conduit d'une cheminée desservant un autre appareil de chauffage à combustible solide.
- N'utilisez pas cet appareil si une partie quelconque a été submergée. Contactez immédiatement un technicien de service qualifié pour inspecter l'appareil et pour remplacer toute pièce du système de contrôle et du contrôle du gaz qui aurait été submergée.
- Ne pas opérer l'appareil lorsque la porte vitrée est enlevée, fissurée ou brisée. Le remplacement de la vitre devra être effectué par un technicien de service certifié ou qualifié, si équipé.
- Ne frappez pas et ne claquez pas la porte vitrée de l'appareil, si équipé.
- **Seulement les portes/façades certifiées pour l'appareil peuvent être utilisées avec cet appareil.**
- Gardez les matériaux d'emballage hors de la portée des enfants et mettez ces matériaux au rebut de façon sécuritaire. Comme tous les emballages de plastique, ces matériaux ne sont pas des jouets et doivent demeurer hors de la portée des enfants et des bébés.
- Le carbone ou la suie ne doit pas se produire dans un appareil sans évent car il peut être distribué dans une zone habitable de votre maison. Si vous remarquez des signes de carbone ou de suie, éteignez immédiatement votre appareil et arrangez-le pour le faire entretenir par un technicien qualifié avant de l'actionner à nouveau.
- Si équipé, l'écran doivent être (fermez) en place pendant le fonctionnement de l'appareil.
- Lorsque l'appareil est muni de portes d'évacuation de pression, elles doivent demeurer fermées pendant le fonctionnement de l'appareil afin d'empêcher les gaz de combustion contenant du monoxyde de carbone de s'infiltrer dans la maison. La température des gaz de combustion s'échappant par ces ouvertures peut aussi causer les matériaux combustibles avoisinants à surchauffer et à prendre feu.
- L'empoisonnement au monoxyde de carbone peut conduire à la mort; les premiers signes d'une intoxication au monoxyde de carbone ressemblent à la grippe, avec céphalées, vertiges et/ou des nausées. Si vous présentez ces signes, l'appareil peut ne pas fonctionner correctement. Obtenir l'air frais! Faire réparer l'appareil. Certaines personnes; les femmes enceintes, les personnes ayant une maladie cardiaque ou pulmonaire, anémie, ceux sous l'influence de l'alcool, ceux à haute altitude sont plus touchés par le monoxyde de carbone que d'autres. Défaut de garder l'ouverture d'air primaire(s) du brûleur(s) propre peut entraîner la formation de suies et dommages à la propriété.
- Comme dans le cas de tout appareil à combustion, il est recommandé de faire inspecter et entretenir votre appareil régulièrement. De même, installez un détecteur de monoxyde de carbone dans la pièce pour vous protéger, ainsi que votre famille, contre les intoxications (pas applicable pour les appareils pour l'extérieure).
- Assurez-vous que les distances requises pour les dégagements aux matériaux combustibles sont respectées lorsque vous installez une tablette décorative ou des tablettes au-dessus de l'appareil. En raison des températures élevées, un téléviseur ou d'autres composants électroniques pourraient être endommagés prématurément ou ils pourraient fondre, se déformer ou se décolorer.
- **Pour les appareils avec une barrière; si la barrière est endommagée, elle devra être remplacée par la barrière conçu par le fabricant pour cet appareil.**
- **L'installation et la réparation devraient être effectuées par un technicien qualifié. Il est impératif que les compartiments de contrôle, le brûleur et les passages de circulation d'air soient gardés propres afin de fournir une combustion et une circulation d'air adéquates.**
- Produits pour l'extérieur seulement: Cet appareil ne doit pas être installé à l'intérieur ni dans une structure qui empêche la dissipation des gaz de combustion dans l'environnement extérieur.
- S'il y a lieu, la version de millivolt de cet appareil utilise et requiert un thermocouple à action rapide. Remplacez uniquement par un thermocouple à action rapide de Wolf Steel Itée.

** AVERTISSEMENT: Ce produit peut vous exposer à des substances chimiques incluant le plomb et les composés de plomb qui, selon l'État de Californie, causeraient le cancer, et des substances chimiques incluant le monoxyde de carbone qui, selon d'État de Californie, causeraient des malformations congénitales ou autres dangers pour la reproduction. Pour de plus amples renseignements, visitez le [www.P65Warnings.ca.gov](http://www.P65Warnings.ca.gov).**

 <b>AVERTISSEMENT/ADVERTENCIA</b> 	
<b>RISQUE D'INCENDIE / RETARD D'ALLUMAGE</b>	<b>RIESGO DE INCENDIO / PELIGRO DE ENCENDIDO DEMORADO</b>
<b>Une pression d'alimentation élevée peut endommager la soupape et ses composantes.</b>	<b>El suministro a alta presión dañará la válvula/los controles.</b>
Débrancher la soupape de gaz de la ligne d'alimentation en gaz pendant les essais de pression de ce système lorsque les pressions excèdent 1/2 lb/po <sup>2</sup> (3,5 kPa).	Desconectar la válvula/el control principal de gas del aparato del caño de suministro cuando se compruebe la presión del sistema a más de 1/2 psi (3.5 kPa).
Isoler l'appareil en fermant la soupape d'arrêt pendant tout essai de pression du système d'alimentation en gaz lorsque les pressions sont de 1/2 lb/po <sup>2</sup> (3,5 kPa) ou moins.	Aislar el aparato con su válvula de cierre durante cualquier comprobación de la presión de la cañería de suministro a una presión igual o inferior a 1/2 psi (3.5 kPa).

# table des matières

FR

<b>1.0</b>	<b>information générales</b>	<b>97</b>	<b>7.0</b>	<b>information électriques</b>	<b>136</b>
1.1	taux et efficacités	98	7.1	branchement par câble	136
1.2	vue d'ensemble d'installation	99	7.2	schéma de câblage du réceptacle	136
1.3	Dynamic Heat Control <sup>MD</sup>	100	7.3	en cas de panne de courant	136
1.4	emplacement de la plaque d'homologation / des instructions d'allumage	102	7.4	installation du support / interrupteur	137
1.5	installation dans une maison mobile	103	7.5	première initialisation de la télécommande / bloc-piles	137
1.6	liste de pièces	103	7.6	schéma de câblage	138
1.7	installation / retrait des poignées de levage	103	7.7	application contrôleur eFIRE	138
			7.7.1	LVX38-1 / LVX50-1 schéma de câblage	139
			7.7.2	LVX62-1 / LVX74-1 schéma de câblage	140
			7.8	accès aux contrôles	141
<b>2.0</b>	<b>dimensions</b>	<b>104</b>	<b>8.0</b>	<b>branchement du gaz</b>	<b>142</b>
2.1	un seul côté	104	<b>9.0</b>	<b>opération</b>	<b>143</b>
2.2	voir à travers	105	<b>10.0</b>	<b>installation des pattes de cloutage</b>	<b>145</b>
<b>3.0</b>	<b>exigences d'évacuation</b>	<b>106</b>	<b>11.0</b>	<b>encadrement fini</b>	<b>146</b>
3.1	installation d'évacuation typique	108	11.1	encadrement avec DHC <sup>MD</sup>	146
3.2	emplacements et dégagements minimaux de la terminaison	110	<b>12.0</b>	<b>finitions</b>	<b>150</b>
3.3	terminaison horizontale (seulement gaz naturel)	111	12.1	restriction de placement des attaches	150
3.4	terminaison verticale (seulement gaz naturel)	114	12.2	conception de l'enceinte	151
3.5	configurations d'évacuation LVX38-1 (seulement propane)	115	12.3	finitions avec les matériaux combustibles	152
3.6	configurations d'évacuation LVX50-1 / LVX62-1	116	12.4	dégagements minimaux de la tablette combustible	154
3.7	configurations d'évacuation LVX74-1	117	12.5	finition du moule optionnel	155
<b>4.0</b>	<b>planification de l'installation</b>	<b>118</b>	12.6	installation / enlèvement du système Glass Guard	156
4.1	option d'installation 1 - enceinte ouverte (l'enceinte s'arrête du plafond)	120	12.7	installation / enlèvement de la porte	165
4.2	option d'installation 2 - ouverture avant	121	12.8	enlèvement des plateaux de composants décoratif	166
4.3	option d'installation 3 - ouverture arrière	122	12.9	installation / enlèvement de média	167
4.4	option d'installation 4 - lambrequin	123	<b>13.0</b>	<b>ajustments</b>	<b>168</b>
<b>5.0</b>	<b>encadrement approximatif - avant l'installation de l'appareil</b>	<b>124</b>	13.1	renstreignant des événements verticaux	168
5.1	dimensions minimales de l'ossature	125	13.2	réglage du venturi	168
5.1.1	dégagements minimaux de l'enceinte	126	13.3	réglage de la veilleuse	169
<b>6.0</b>	<b>installation d'évacuation</b>	<b>129</b>	13.4	caractéristiques de la flamme	169
6.1	assemblage de l'espaceur coupe-feu	129	<b>14.0</b>	<b>entretien</b>	<b>170</b>
6.2	installation horizontale	131	14.1	entretien annuel	171
6.3	installation verticale	131	14.2	accès aux contrôles	171
6.4	utilisation de composants flexibles d'évacuation	132	14.4	enlèvement du brûleur	172
6.4.1	installation de la terminaison horizontale	132	14.3	enlèvement de la soupape	172
6.5	installation de la terminaison verticale	133	14.5	enlèvement du module de contrôle	173
6.5.1	raccordement des événements à l'appareil	133	14.6	remplacement DEL	174
6.6	renstreignants d'événements verticaux	134	14.7	remplacement de la vitre / porte	175
6.6.1	LVX38-1 / LVX50-1	134	14.8	soins de la vitre	175
6.6.2	LVX62-1 / LVX74-1	134	14.9	soins des pièces plaquées	175
6.7	installation de bouclage d'événement	135	<b>15.0</b>	<b>pièces de rechange</b>	<b>176</b>
			15.1	vue d'ensemble	177
			15.2	composants du brûleur	178
			<b>16.0</b>	<b>guide de dépannage</b>	<b>180</b>
			<b>17.0</b>	<b>garantie</b>	<b>183</b>

## note:

L'information contenue dans ce manuel est jugée correcte au moment de l'impression. Wolf Steel Ltd. se réserve le droit de modifier ou de modifier toute information contenue dans ce manuel à tout moment sans préavis. Les modifications, autres que les éditoriaux, sont désignées par une ligne verticale dans la marge.

# Installateur: veuillez remplir la liste de contrôle de l'appareil dans le manuel du propriétaire.

## 1.0 information générales

Lorsque l'appareil est installé à une altitude de plus de 4 500 pieds (1372m) et en l'absence de recommandations particulières de l'autorité compétente locale, l'indice certifié du débit à haute altitude devra être réduit au taux de 4% pour chaque 1 000pi (305m) supplémentaire. Les bruits causés par l'expansion et la contraction lors des cycles de chauffage et de refroidissement sont tout à fait normaux et il faut s'y attendre. Le changement de l'aspect de la flamme de « HI » à « LO » est plus évident pour le gaz naturel que pour le propane.

Cet appareil est approuvé pour une installation dans les salles de bain, les chambres à coucher ou les chambres studio et est certifié pour installation dans les maisons mobiles.

**Cet appareil ne doit être utilisé qu'avec le type de gaz indiqué sur la plaque d'homologation. Cet appareil ne peut être converti à un autre type de gaz à moins d'utiliser un ensemble de conversion certifié.**

Il y a un interrupteur qui contrôle le fonction de l'appareil. Le support de batterie inclus commutateur doit être placer dans le position milieu. Si le commutateur n'est pas placer dans le position milieu, l'appareil ne fonctionnera pas.

**note:**

Une barrière conçu pour réduire le risque de brûlures causées par le contact avec la vitre chaude est fourni avec l'appareil et doit être installé.

L'enveloppe protectrice sur les pièces plaquées est mieux retirée lorsque l'assemblage est à température ambiante, mais cela peut être amélioré si l'assemblage est réchauffé, en utilisant un sèche-cheveux ou une source de chaleur similaire. L'enveloppe protectrice doit être retiré avant d'utiliser l'appareil.

**Cet appareil est un produit décoratif. L'appareil n'est pas une source de chaleur et un combustible solide ne doit pas être utilisé avec cet appareil.**

Cet appareil est équipé d'une télécommande qui nécessite des piles. La télécommande requiert 3 piles « AAA »; en cas de panne électrique, le Installez le support / interrupteur nécessite 4 piles « AA ».



Les piles doivent être mises au rebut conformément aux lois et à la réglementation locales. Certaines piles peuvent être recyclées dans votre centre de recyclage local. Renseignez-vous auprès de votre municipalité au sujet des directives de recyclage.

**note:**

Certains pièces et/ou composants sont emballées individuellement et doivent être installées en accordance avec l'information dans ce manuel.

# information générales

FR

## 1.1 taux et efficacités

LVX38-1	Un Seul Côté		Voir à Travers	
	Type d'appareil	LVX38N-1	LVX38P-1	LVX38N2-1
Type de Comburant	Gaz Naturel	Propane	Gaz Naturel	Propane
Altitude (Pl)	0-4,500			
Débit max. (BTU/h)	31 000	26 500	31 000	26 500
Débit min. (BTU/h)	22 000			

LVX50-1	Un Seul Côté		Voir à Travers	
	Type d'appareil	LVX50N-1	LVX50P-1	LVX50N2-1
Type de Comburant	Gaz Naturel	Propane	Gaz Naturel	Propane
Altitude (Pl)	0-4,500			
Débit max. (BTU/h)	38 000	31 500	38 000	31 500
Débit min. (BTU/h)	26 000	25 000	26 000	25 000

LVX62-1	Un Seul Côté		Voir à Travers	
	Type d'appareil	LVX62N-1	LVX62P-1	LVX62N2-1
Type de Comburant	Gaz Naturel	Propane	Gaz Naturel	Propane
Altitude (Pl)	0-4,500			
Débit max. (BTU/h)	44,000	35 000	44 000	35 000
Débit min. (BTU/h)	32 000	28 000	32 000	28 000

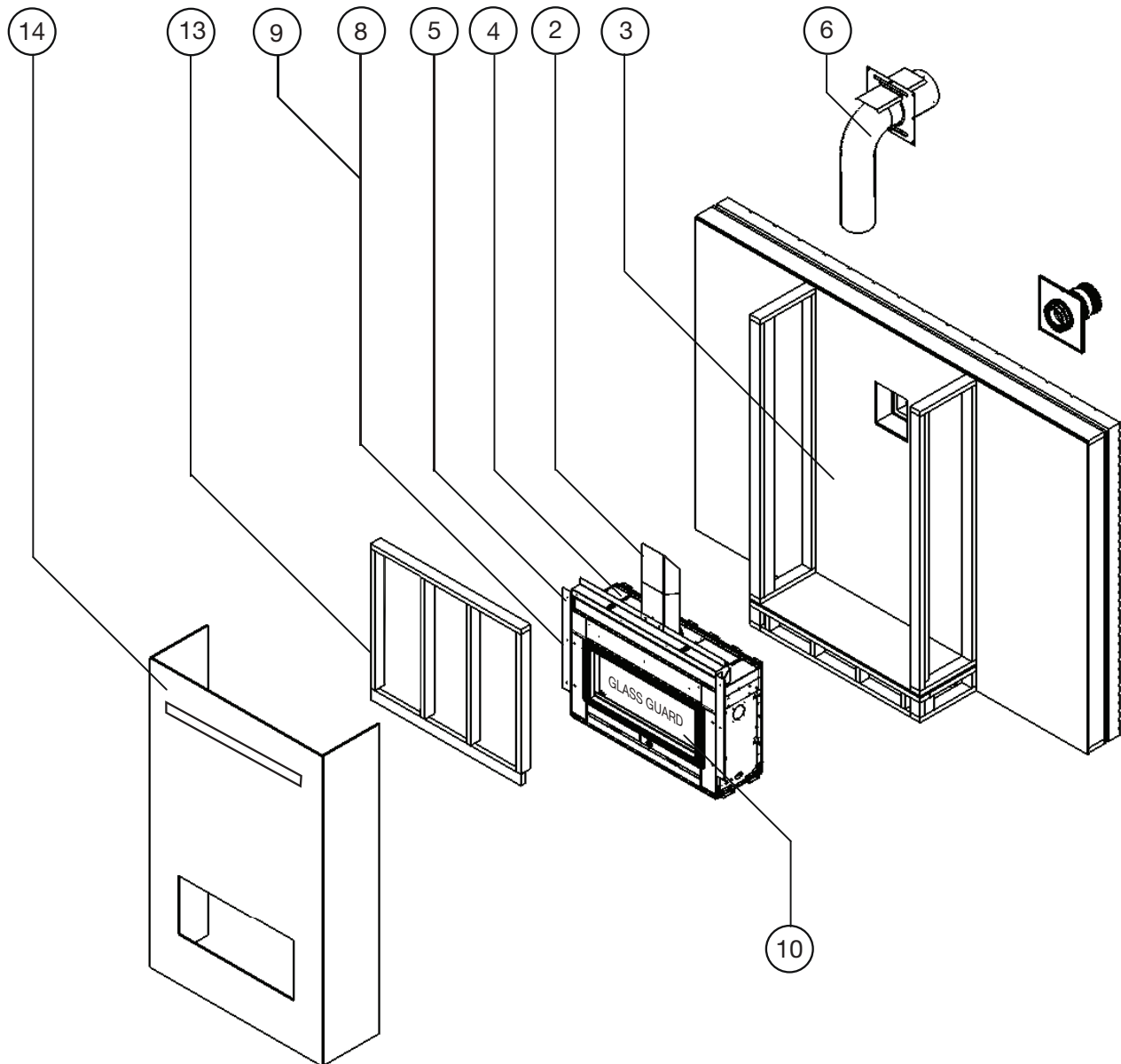
LVX74-1	Un Seul Côté		Voir à Travers	
	Type d'appareil	LVX74N-1	LVX74P-1	LVX74N2-1
Type de Comburant	Gaz Naturel	Propane	Gaz Naturel	Propane
Altitude (Pl)	0-4,500			
Débit max. (BTU/h)	50 000	41 500	50 000	41 500
Débit min. (BTU/h)	35 000	33 000	35 000	33 000

### LVX38-1 / LVX50-1 / LVX62-1 / LVX74-1

	Gaz Naturel		Propane	
	Pression minimale d'alimentation en gaz	4.5" w.c. (11mb)	11" w.c. (27mb)	4.5" w.c. (11mb)
Pression maximale d'alimentation en gaz	7"* w.c. (17mb)	13" w.c. (32mb)	13" w.c. (32mb)	13" w.c. (32mb).
Pression au collecteur (lorsque le gaz circule)	3.5" w.c. (9mb)	10" w.c. (25mb)	3.5 w.c. (9mb)	10" w.c. (25mb)

\* Pression maximale d'alimentation ne doivent pas dépasser 13" (32mb).

## 1.2 vue d'ensemble d'installation



### Étapes d'installation recommandés:

1. Déterminer les exigences de ventilation avant de décider de l'emplacement final de l'appareil
2. Planifier l'enceinte, l'encadrement, les façades, les accessoires, etc.
3. Installez un encadrement brut (voir la section « encadrement approximatif »)
4. Placez l'appareil dans sa position finale
5. Installez les onglets de clouage (reportez-vous à la section « installation de l'onglet de clouage »)
6. Installez l'évacuation de l'appareil (reportez-vous à la section « installation de ventilation »)
7. Installez le pare-brise (reportez-vous à la section « installation du bouchon d'évent »)
8. Installez tous les câblages électriques (reportez-vous à la section « informations électriques »)
9. Installez les conduites de gaz (reportez-vous à la section « installation de gaz »)
- 10. Aller le Glass Guard** (voir la section « installation / retrait du montage du système Glass Guard »)
11. Appareil d'essai (Glass Guard doit être installé pendant le test de l'appareil)
12. Retirer ou protéger le protecteur de verre
13. Encadrement complet (se référer à la section « finition du cadre »)
14. Finition (se référer à la section « finition »)
15. Si nécessaire, effectuer les réglages finaux de la protection en verre.
16. Complétez la liste de contrôle de l'installation dans le manuel du propriétaire.



Le système **Dynamic Heat Control<sup>MD</sup>** est un système de gestion de la chaleur produite par l'appareil à l'ouverture du foyer et autour. Le concept du système est de fournir un moyen d'éloigner la chaleur de l'ouverture du foyer pour lui permettre de circuler plus efficacement dans la pièce. Installer le système **Dynamic Heat Control<sup>MD</sup>** permet à l'installateur et l'utilisateur d'obtenir des avantages consi-

dérables.

Installateur :

- Possibilité d'utiliser une ossature et une finition combustible jusqu'à l'ouverture du foyer.
- Les températures élevées au-dessus de l'avant de l'ouverture du foyer diminuent alors de façon significative, éliminant ainsi les dommages potentiels aux matériaux de finition délicats (fissures ou décoloration).
- Il n'est pas nécessaire d'installer des ventilateurs ou des collecteurs, ce qui rend l'installation plus simple.

Utilisateur :

- La chaleur est distribuée de façon plus égale dans toute la pièce, ce qui permet d'éviter les points chauds devant le foyer.
- Une plus grande efficacité au quotidien, puisque la chaleur se déplace dans la pièce plutôt que d'être prisonnière à l'intérieur de l'enceinte.
- Une flexibilité totale dans le choix des matériaux de finition.
- Possibilité de placer un téléviseur, une barre de son ou une œuvre d'art au-dessus du foyer sans aucun risque d'endommagement.

Le système **Dynamic Heat Control<sup>MD</sup>** dépend d'une circulation d'air améliorée passant par l'appareil et l'enceinte. En outre, l'installation du système exige certaines considérations techniques par rapport aux foyers traditionnels. Plus précisément, il nécessite que l'enceinte soit bien ventilée et que l'installateur s'assure qu'une zone d'ouverture minimale est présente pour permettre à la chaleur de s'échapper et de circuler à une hauteur et une position minimales prescrites. Cela doit être soigneusement pris en compte dans la planification de l'installation afin de veiller à ce que l'appareil fonctionne efficacement et à minimiser le temps d'installation.

**\* Dans les configurations d'installation les plus courantes, certaines installations spécifiques nécessitent des dispositions spéciales. Voir la section « encadrement avec contrôle dynamique de la chaleur » pour plus de détails. Assurez-vous de respecter strictement les instructions.**

**\*\* Toujours vérifier les recommandations des fabricants d'appareils pour confirmer l'aptitude et tout spécial limitations environnementales. Pour des objets précieux ou anciens, reportez-vous toujours à des instructions de conservation certains articles nécessitent une température et / ou une humidité spécifiquement contrôlées.**



## ! AVERTISSEMENT

- Allumez toujours la veilleuse, que ce soit pour la première fois ou lorsque l'approvisionnement en gaz est épuisé, avec la porte vitrée ouverte ou retirée.
- Prévoyez un accès suffisant pour entretenir et opérer l'appareil.
- Assurez-vous d'une quantité suffisante d'air de ventilation.
- N'obstruez jamais l'ouverture de l'appareil.
- Les objets placés devant l'appareil doivent être gardés à une distance d'au moins 48" (121,9cm) de la face vitrée de l'appareil.
- Les surfaces autour et surtout au-dessus de l'appareil peuvent devenir chaudes. Ne touchez pas l'appareil quand il fonctionne.
- Risque d'incendie ou d'explosion.
- Les pressions élevées endommageront la soupape. L'alimentation en gaz doit être débranchée pendant les essais de pression de ce système lorsque les pressions d'essai excèdent 1/2 PSIG. Fermez la soupape d'arrêt manuelle pendant tout essai de pression du système d'alimentation en gaz lorsque la pression est de 1/2 PSIG (35mb) ou moins.
- N'utilisez que les accessoires optionnels et les pièces de rechange approuvés par Wolf Steel pour cet appareil. L'utilisation d'accessoires non listés (souffleries, portes, persiennes, moulures, composants de gaz, composants d'évacuation, etc.) pourrait être non sécuritaire et annulera la garantie et la certification.
- L'appareil ne doit pas être utilisé aux températures au-dessous de zéro (32°F / 0°C). Permettre à l'appareil pour réchauffer au-dessus de zéro avant le fonctionnement.

**Cet appareil au gaz devrait être installé et entretenu par un installateur qualifié** en se conformant aux codes locaux. Les pratiques d'installation peuvent varier d'une région à l'autre. Il est donc important de connaître les normes spécifiques qui s'appliquent à votre région. Par exemple, dans l'état du Massachusetts:

- Ce produit doit être installé par un plombier certifié ou un installateur pour le gaz lorsque installé dans le Commonwealth du Massachusetts.
- Le registre de l'appareil doit être enlevé ou bloqué en le soudant en position ouverte avant d'installer un encastré ou un ensemble de bûches à gaz.
- La soupape d'arrêt doit être un robinet à gaz avec une poignée en T.
- Le raccord flexible ne doit pas mesurer plus que 36 pouces (914,4mm).
- Un détecteur de monoxyde de carbone est requis dans toutes les pièces contenant des appareils alimentés au gaz.
- L'appareil n'est pas approuvé pour installation dans une chambre à coucher ou une salle de bain à moins d'être un appareil avec une chambre de combustion scellée à évacuation directe.

L'installation doit se conformer aux codes locaux. En l'absence de codes locaux, l'installation doit être conforme au Code d'installation du gaz naturel et du propane CSA B149.1 au Canada ou au National Fuel Gas Code, ANSI Z223.1 / NFPA 54 aux États-Unis. Cet appareil convient pour installation dans une maison mobile si l'installation est conforme aux normes actuelles pour les maisons mobiles équipées au gaz CAN/CSA Z240 SÉRIE MM au Canada ou selon les normes ANSI Z223.1 et NFPA 54 aux États-Unis.

L'alimentation de gaz de l'appareil doit être débranchée pendant les essais de pression de ce système lorsque les pressions d'essai excèdent 1/2 lb/po<sup>2</sup> (3,5 kpa). Fermez la soupape d'arrêt manuelle pendant tout essai de pression du système d'alimentation en gaz lorsque la pression est de 1/2 lb/po<sup>2</sup> (3,5 mb) ou moins. Si la soufflerie ou ventilateur est installer la boîte de dérivation doit être branchée au circuit électrique et mise à la terre conformément aux codes locaux. En l'absence de codes locaux utilisez la version courante du Code Canadien de l'Électricité CSA C22.1 au Canada ou le National Electrical Code ANSI/NFPA 70 aux États-Unis. Dans le cas où le soufflerie est équipé d'un cordon d'alimentation il doit être connecté à une réceptacle correctement mise à la terre. La fiche de mise à la terre ne doit pas être retiré du cordon d'alimentation.

Ce qui suit ne s'applique pas aux foyers encastrés; tant que les distances requises pour les dégagements aux matériaux combustibles sont respectées, le meilleur endroit pour un appareil est le centre de la maison, car ceci permet une meilleure utilisation de la chaleur fournie. L'emplacement des fenêtres, des portes et la circulation dans la pièce où se trouve l'appareil devront être pris en considération. Si possible, vous devriez choisir un emplacement où le système d'évent peut passer à travers la maison sans avoir à découper des solives de plancher ou de toit, sauf indication contraire à l'essai.

NATIONAL  
FIREPLACE  
INSTITUTE



CERTIFIED  
www.nficertified.org

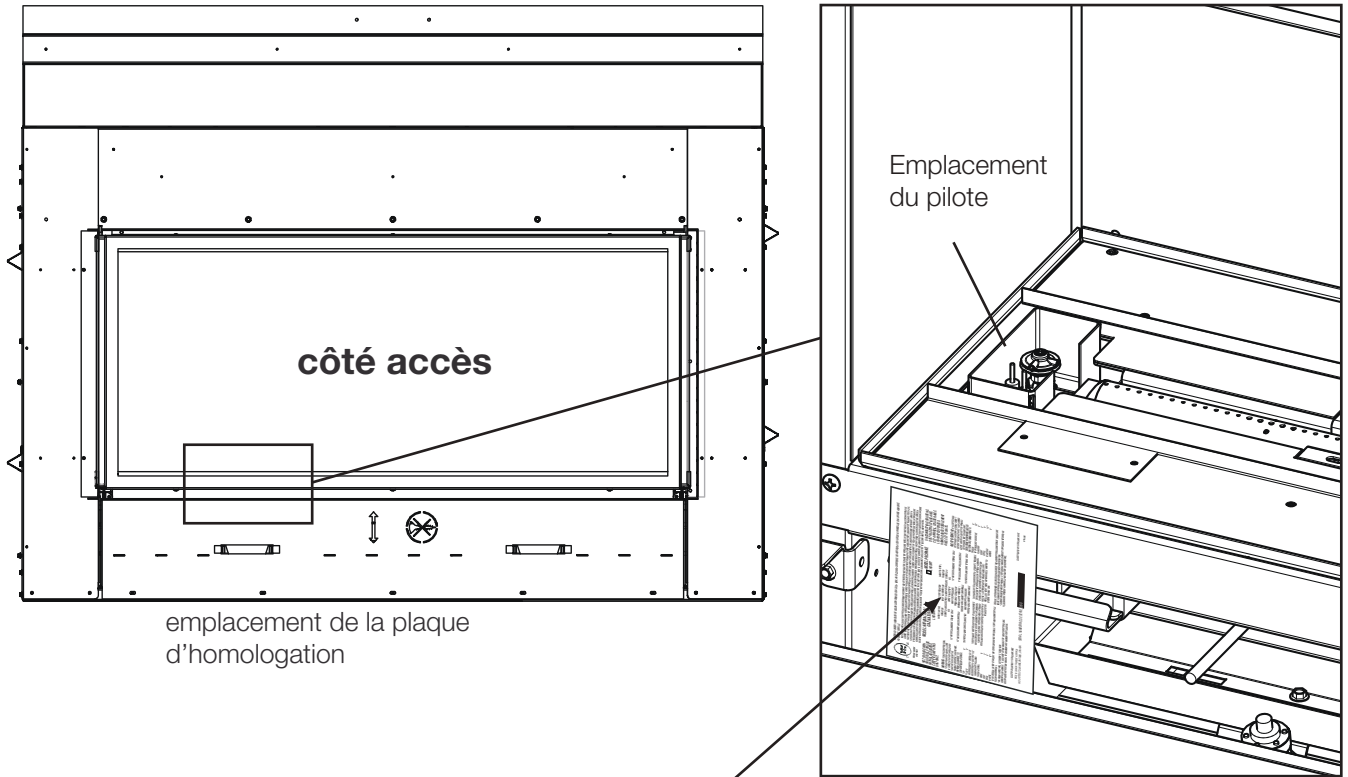
Nous suggérons que nos appareils au gaz soient installés et que l'entretien soit effectué par des professionnels certifiés par le National Fireplace Institute® (NFI) comme spécialiste du gaz NFI.

# information générales

## FR 1.4 emplacement de la plaque d'homologation / des instructions d'allumage

La plaque d'homologation et les instructions d'allumage sont attachés à une chaînette située à gauche des contrôles de l'appareil, près de la soupape. Retirez la façade pour accéder aux contrôles de l'appareil. Consultez la section « installation / enlèvement de la barrière de protection » pour obtenir des instructions détaillées concernant l'enlèvement.

Pour remettre la façade en place, glissez les instructions près des contrôles de l'appareil et réinstallez la barrière de protection.



emplacement de la plaque d'homologation

**Certified to Canadian and American National Standards: CSA 2.22-XXXX / ANSI Z21.50-XXXX for Vented Decorative Gas Appliances**  
**Certifié selon les normes Nationales Canadiennes et Américaines: CSA 2.22-XXXX / ANSI Z21.50-XXXX pour les Appareils à gaz décoratifs à évacuation**

Direct vent, vented gas fireplace. Approved for bedroom, bathroom and best-in-room installation. Suitable for mobile home installation. If installed in accordance with the current standard CAN / CSA 2.240MH Series gas equipped mobile homes in Canada, or, in the United States, the Manufactured Home Construction and Safety Standard, Title 24 CFR, Part 3280. When this US Standard is not applicable, use the Standard for Fire Safety Criteria for Manufactured Home Installations, Sites and Communities, ANSI / NFPA 501A. This appliance must be installed in accordance with local codes, if any; if none, follow the current ANSI Z223.1 or CSA B149. **For use with barrier WXXX-XXXX. Follow installation instructions.**  
 Foyer à gaz ventilé. Homologué pour installation dans une chambre à coucher, une salle de bain et un studio. Approuvé pour installation dans une maison mobile si son installation conforme aux exigences de la norme CAN / CSA 2.240MH Série de maisons mobiles équipées au gaz en vigueur au Canada, ou, aux États-Unis selon la norme 24 CFR, Part 3280. Manufactured Home Construction and Safety Standard. Dans le cas où cette norme d'États-Unis n'est pas pertinente, utiliser la norme NFPA 501A, Fire Safety Criteria for Manufactured Home Installations, Sites and Communities. Installer l'appareil selon les codes ou règlements locaux ou, en l'absence de tels règlements, selon les codes d'installation ANSI Z223.1 ou CSA B149 en vigueur. **Utiliser uniquement avec l'écran WXXX-XXXX. Suivez les instructions d'installation.**

8700539 (WSL)     4001658 (NAC)     4001657 (NGZ)     4001659 (WUSA)

**MODEL / MODÈLE**

<input type="checkbox"/> XXXX	<input type="checkbox"/> XXXX	<input type="checkbox"/> XXXX	<input type="checkbox"/> XXXX
<input type="checkbox"/> XXXX	<input type="checkbox"/> XXXX	<input type="checkbox"/> XXXX	<input type="checkbox"/> XXXX

Altitude: 0-XXXX (0-XXXXm)    Élévation: XXXX

Input: XX,XXX    Alimentation: XX,XXX

Reduced Input: XX,X%    P4: XXX,X%

Manifold Pressure: 3.5" w.c. (NG)    Manifold Pressure: 10" w.c. (P)

Minimum Supply Pressure: 4.5" w.c. (NG)    Minimum Supply Pressure: 11" w.c. (P)

Maximum Supply Pressure: 7" w.c. (NG)    Maximum Supply Pressure: 13" w.c. (P)

Pression au Collecteur: 4.5" d'une colonne d'eau (GN)    Pression au Collecteur: 10" d'une colonne d'eau (P)

Pression d'Alimentation Max: 4.5" d'une colonne d'eau (GN)    Pression d'Alimentation Max: 11" d'une colonne d'eau (P)

Pression d'Alimentation Max: 7" d'une colonne d'eau (GN)    Pression d'Alimentation Max: 13" d'une colonne d'eau (P)

Minimum clearance to combustible materials: Top, sides & back; per standard access for framing and finishing materials. For non-combustible framing and finishing materials, see installation manual.  
 Dispositions minimales des matériaux combustibles: Dessus, côtés et arrière: selon les espaces de dégagements pour les matériaux d'ossature selon le manuel du propriétaire pour les matériaux de finition.  
 Minimum clearance to non-combustible materials: Top, sides & bottom. See installation manual.  
 Dispositions minimales des matériaux non combustibles: Dessus, côtés et devant. Voir le manuel d'installation.

\*\*\* Mantle X" from appliance opening  
 \*\*\* L'enseigne horizontale maximale: X"  
 X" See installation manual for greater extensions, minimum vent lengths and maximum vent lengths.  
 Electrical rating: 110V, 60Hz, less than 12 ampere.  
 Spécifications électriques: 110V, 60Hz, Moins de 12 ampère.

**WOLF STEEL LTD.** 24 Napoleon Road, Barrie, ON, L4M 0G8 Canada

**ENERGY STAR**

**SP US**  
Energy Verified  
Energie vérifiée

REFERENCE 101746

**VENTED DECORATIVE GAS APPLIANCE: NOT A SOURCE OF HEAT, NOT INTENDED FOR USE AS A HEATING APPLIANCE, NOT FOR USE WITH SOLID FUEL.**  
**APPAREIL À GAZ DÉCORATIF À ÉVACUATION: N'EST PAS UNE SOURCE DE CHALEUR; N'EST PAS DESTINÉ À ÊTRE UTILISÉ COMME UN APPAREIL DE CHAUFFAGE; NE CONVIENT PAS AUX COMBUSTIBLES SOLIDES.**

**FOR USE WITH GLASS DOORS CERTIFIED WITH THIS APPLIANCE ONLY. POUR UTILISATION UNIQUEMENT AVEC LES PORTES EN VERRE CERTIFIÉES AVEC L'APPAREIL.**

For natural gas when equipped with No. XX drill size orifice.  
 For propane when equipped with No. XX drill size orifice.  
 Convient au gaz naturel quand l'appareil est muni d'un injecteur de diamètre no. XX.  
 Convient au propane quand l'appareil est muni d'un injecteur de diamètre no. XX.

**WARNING:** Do not add any material to the appliance which will come in contact with the flames, other than that supplied by the manufacturer with the appliance.  
**AVERTISSEMENT:** N'ajoutez pas à cet appareil aucun matériau devant entrer en contact avec les flammes autres que celui qui est fourni avec cet appareil par le fabricant.

The appliance must be vented using the appropriate Napoleon vent kits. See installation manual for venting specifications. Proper reinstallation and resealing is necessary after servicing the vent-air intake system.  
 L'appareil doit être ventilé à l'aide de l'ensemble d'évacuation propre à Napoleon. Référez au manuel d'installation pour les spécifications d'évacuation. Il est nécessaire de bien réinstaller et resceller l'évacuation après avoir exécuté l'entretien du système de prise d'air.

Serial Number / N° de Série: XXXX    W385-XXXX

Cette illustration est fournie à titre de référence seulement. Pour les renseignements exacts, consultez la plaque d'homologation fixée sur l'appareil.

**note:**  
La plaque d'homologation doit rester avec l'appareil à tout instant. Il ne doit pas être enlevé.



## 1.5 installation dans une maison mobile

Cet appareil doit être effectuée en respectant les directives du fabricant et le Manufactured Home Construction and Safety Standard, Title 24 CFR, Part 3280, aux États-Unis, ou les normes actuelles pour les maisons mobiles, CAN/CSA Z240 SÉRIE MH au Canada. Cet appareil ne doit être utilisé qu'avec le type de gaz indiqué sur la plaque d'homologation.

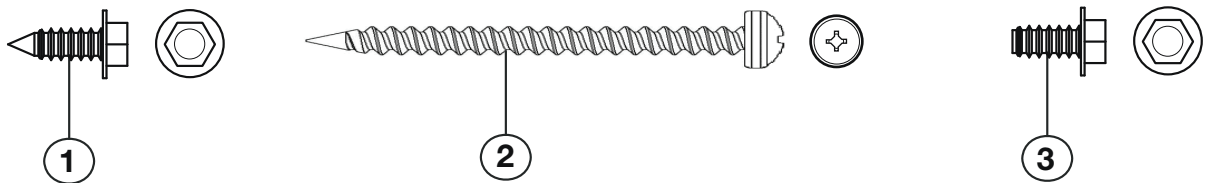
Cet appareil spécialisé dans la maison mobile / manufacturée est livré en usine avec un moyen de sécuriser l'appareil. Les supports d'expédition qui sécurisent l'appareil à la palette peuvent également être utilisés pour sécuriser l'appareil au sol pour l'installation de la maison mobile. Pour les installations de maisons mobiles, l'appareil doit être fixé en place.

Cet appareil est certifié pour être installé dans une maison mobile installée de façon permanente, sauf si les codes locaux l'interdisent. Cet appareil ne doit être utilisé qu'avec le type de gaz indiqué sr la plaque d'homologation. On ne peut utiliser cet appareil avec d'autres types de gaz, sauf si un ensemble de conversion certifié est utilisé.

### Ensembles de conversion

L'appareil pour maison mobile peut être converti au gaz naturel (GN) ou au propane (P). Pour effectuer une conversion, veuillez consulter votre détaillant autorisé.

## 1.6 liste de pièces



	Description	Quantité
1	Vis hexagonale en tôle à tête hexagonale	22
2	Tête en tôle à tête ronde	4
3	Boulon en tôle de tête hexagonale	18

### note:

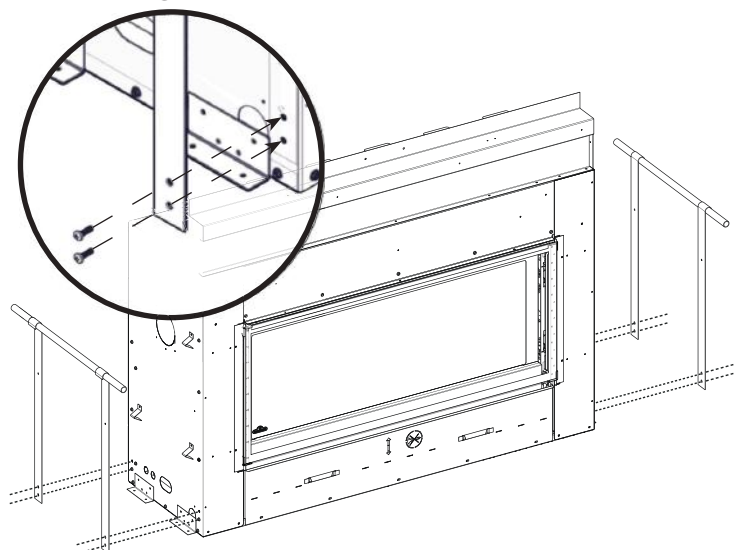
Seulement les attaches fournies avec l'appareil sont illustrées.

## 1.7 installation / retrait des poignées de levage

Enlever les 4 vis de chaque côté (8 total) puis installez les poignées de levage sur les côtés de l'appareil et fixer-les utilisant 4 vis par côté (8 total). Jetez-les poignées.

### note:

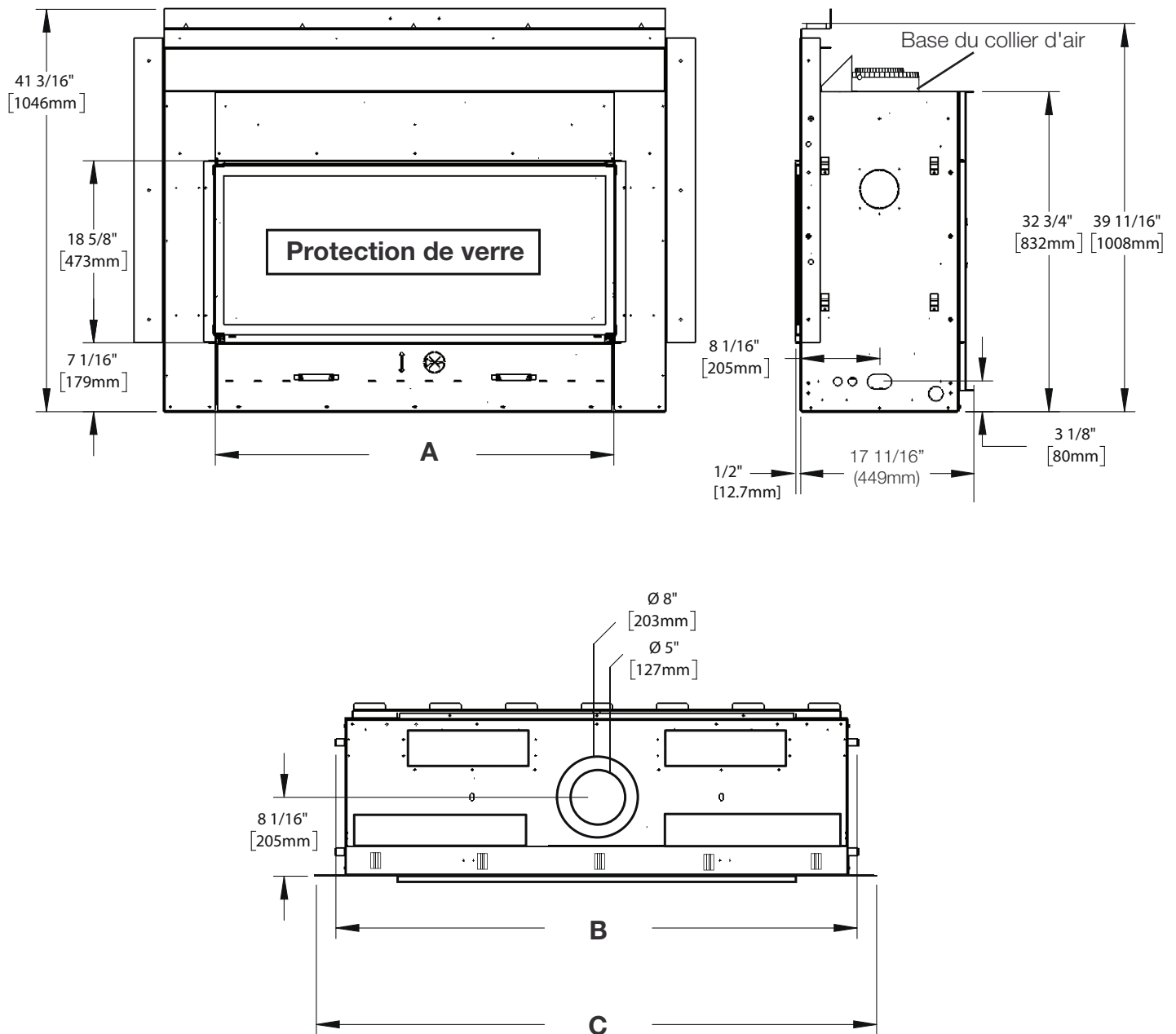
Les poignées de levage **DOIVENT** être enlevées avant de forcer l'encastrement de l'appareil.



## 2.0 dimensions

FR

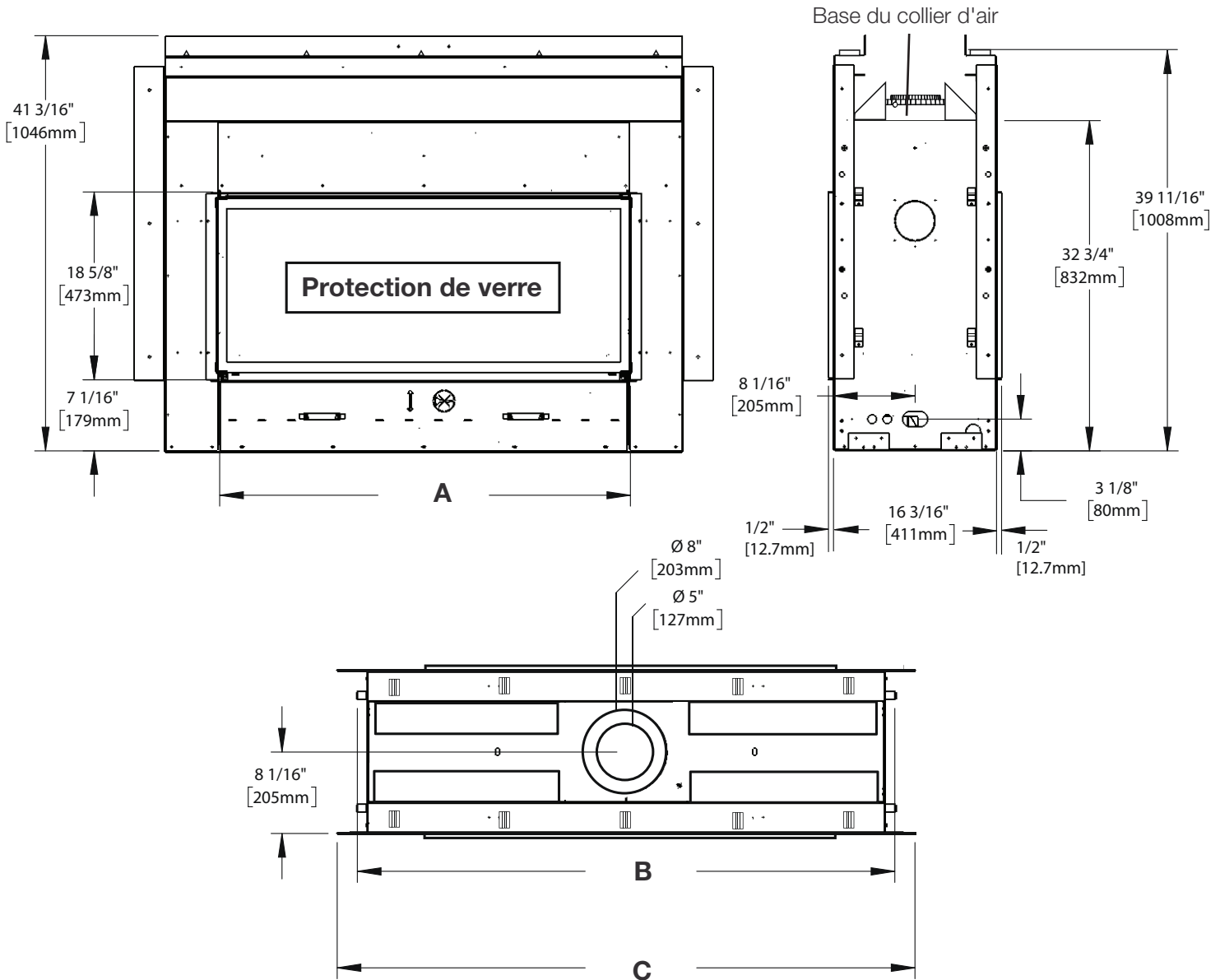
### 2.1 un seul côté



	LVX38-1	LVX50-1	LVX62-1	LVX74-1
<b>A</b> <b>(Bride de finition)</b>	42 1/8" (1070mm)	54 1/8" (1375mm)	66 1/8" (1680mm)	78 1/8" (1984mm)
<b>B</b>	53 5/16" (1354mm)	65 5/16" (1659mm)	77 5/16" (1964mm)	89 5/16" (2269mm)
<b>C</b>	57 5/16" (1456mm)	69 5/16" (1761mm)	81 5/16" (2065mm)	93 5/16" (2370mm)

\* La profondeur de la bride de finition (la bride de finition définit le périmètre de l'ouverture de la cheminée. Les matériaux de charpente ou de finition NE JAMAIS empiètent à l'intérieur de la bride de finition).

2.2 voir à travers



	LVX38-1	LVX50-1	LVX62-1	LVX74-1
<b>A</b> <b>(Bride de finition)</b>	42 1/8" (1070mm)	54 1/8" (1375mm)	66 1/8" (1680mm)	78 1/8" (1984mm)
<b>B</b>	53 5/16" (1354mm)	65 5/16" (1659mm)	77 5/16" (1964mm)	89 5/16" (2269mm)
<b>C</b>	57 5/16" (1456mm)	69 5/16" (1761mm)	81 5/16" (2065mm)	93 5/16" (2370mm)

\* La profondeur de la bride de finition (la bride de finition définit le périmètre de l'ouverture de la cheminée. Les matériaux de charpente ou de finition NE JAMAIS empiété à l'intérieur de la bride de finition).

## 3.0 exigences d'évacuation

FR

### AVERTISSEMENT

- Risque d'incendie. Conservez les dégagements nécessaires au conduit d'évent et à l'appareil.
- Les courses horizontales et verticales du système doivent être supportées à tous les 3 pi (0,9m). Utilisez l'ensemble de support mural Wolf Steel W010-0067 ou des supports incombustibles équivalents afin de conserver le dégagement minimal aux matériaux combustibles pour les courses verticales et horizontales. Des espaceurs sont fixés au conduit intérieur à intervalles prédéterminé afin de garder un espace vide avec le conduit extérieur. Pour que le fonctionnement soit sécuritaire, un espace vide est requis. Un espaceur est requis au début, au milieu et à la fin de chaque coude afin de maintenir cet espace vide. N'enlevez pas ces espaceurs.

**Cet appareil utilise un système de conduits de 5" (127mm) pour l'évacuation et de 8" (203.2mm) pour la prise d'air. Veuillez consulter la section qui correspond à votre installation.**

Afin d'assurer un fonctionnement sécuritaire et adéquat de l'appareil, vous devez observer les instructions d'évacuation à la lettre. Un changement à la longueur verticale minimale d'évacuation pourrait entraîner des problèmes d'allumage de brûleur et/ou des accumulations de carbone. Lorsque les configurations de l'évacuation sont à l'extrême, laissez plusieurs minutes (5-15) à la flamme pour se stabiliser après l'allumage. Prévoyez un moyen d'inspecter visuellement le raccord de l'évent à l'appareil après que ce dernier a été installé. Pas une exigence, mais elle est recommandée pour des longueurs de ventilation qui traversent non chauffés espaces (garages, greniers, vides sanitaires) être isolé avec l'isolant enveloppé dans une gaine de protection pour minimiser la condensation. Utilisez un espaceur coupe-feu, un protecteur de conduit d'évacuation ou un écran thermique de grenier lorsque les murs intérieurs, le plancher ou le plafond sont traversés.

Le terminal d'évent peut être peint avec une peinture à haute température pour correspondre aux couleurs extérieures. Utilisez une peinture extérieure appropriée pour 400° F (200° C). L'application et la performance de la peinture sont la responsabilité du consommateur. Des essais ponctuels sont recommandés. L'appareil devrait être éteint.

#### **note:**

Si, pour une raison quelconque, le système d'admission d'air de ventilation est démonté, réinstallez-le selon les instructions fournies pour l'installation initiale.

Cet appareil doit être installé avec une connexion continue des tuyaux de ventilation d'échappement et d'admission d'air. L'utilisation de constructions alternatives, comme une cheminée en tant que partie du système de ventilation, n'est pas autorisée.

**Toutes les mesures d'évent commencent au collier de combustion de l'appareil.**

#### **important:**

**Pour faciliter l'installation, le cadre supérieur peut être enlever. Le cadre supérieur doit être réinstaller avant d'installer les pattes de cloutage.**

**Sections d'évents horizontales:** Un dégagement minimal aux matériaux combustibles de 3" (76mm) sur le dessus extérieur de l'enceinte et 2" (51mm) sur les côtés et le dessous extérieur de l'enceinte tout autour de l'évent sur toutes les courses horizontales est requis. Les courses horizontales dans l'enceinte requies un dégagement minimum de 6"(152mm) à l'haud d'évent.

**Sections d'évents verticales:** Un dégagement minimal aux matériaux combustibles de 1" (25mm) tout autour de l'évent sur toutes les courses verticales est requis à l'exception des dégagements à l'intérieur de l'enceinte de l'appareil. Les courses verticales dans l'enceinte doivent maintenir un dégagement aux matériaux combustibles de 1" (25mm).

Utilisez uniquement des composants d'évacuation Wolf Steel, Simpson Dura-Vent, Selkirk Direct Temp, American Metal Amerivent ou Metal-Fab. Les minimums et maximums des longueurs d'évent, pour les installations verticales et horizontales, et les emplacements des terminaisons pour les deux systèmes sont précisés dans ce manuel et doivent être respectés. Pour le Simpson Dura-Vent, et le Selkirk Direct Temp, American Metal Amerivent et Metal-Fab, suivez la procédure d'installation fournie avec les composants d'évacuation. Un adaptateur de départ doit être utilisé avec les systèmes d'évacuation suivants et peut être acheté chez le fournisseur correspondant:

Fabricant d'évacuation	No. de pièce de l'adaptateur de départ	Fournisseur	Site Web
Duravent	W175-0170	Wolf Steel	www.duravent.com
Amerivent	5DSC-N2	American Metal	www.americanmetalproducts.com
Direct Temp	5DT-AAN	Selkirk	www.selkirkcorp.com
SurerSeal	5DNA	Metal-Fab	www.mtlfab.com

Pour les systèmes d'évents dont le conduit intérieur d'évacuation possède déjà des joints scellés, seuls les joints du conduit extérieur de prise d'air doivent être scellés avec un scellant de silicone rouge à haute température (RTV). Ce même scellant peut être utilisé sur les joints des conduits intérieurs et extérieurs de tous les autres systèmes d'évents approuvés à l'exception du raccordement du conduit d'évacuation à la buse de l'appareil qui doit être scellé avec le scellant noir à haute température Mill Pac.

Lorsque vous utilisez les composants d'évacuation Wolf Steel, n'utilisez que des composants rigides / flexibles d'évacuation Wolf Steel conjointement avec les ensembles de terminaison suivants : ensemble de terminaison murale **GD422R-2**, ensemble de terminaison pour toit de pente 1/12 à 7/12 **GD410**, ensemble de terminaison pour toit de pente 8/12 à 12/12 **GD411**, ensemble de terminaison pour toit plat **GD412** ou ensemble péri-scopique **GD401** (pour pénétration des murs sous le niveau de sol). Lorsque vous utilisez des conduits flexibles conjointement avec les différentes terminaisons, utilisez l'ensemble d'évents de 5 pieds (1,5m) **GD420** ou l'ensemble de 10 pieds (3,1m) **GD430**.

**Pour une performance optimale de l'appareil et une apparence optimale des flammes, gardez la longueur des événements et le nombre de coudes au minimum.**

pour une performance optimale, toutes les courses horizontales devraient avoir une élévation minimale 1/4" par pied ou 21mm par mètre lorsque vous utilisez des composants d'évacuation flexibles. Afin d'assurer un fonctionnement sécuritaire et adéquat de l'appareil, vous devez observer les instructions d'évacuation à la lettre.

**Les composants rigides et flexibles ne doivent pas être combinés. Les composants d'évacuation de différents fabricants ne doivent pas être combinés.**

Ces ensembles d'évents permettent soit une évacuation verticale soit une évacuation horizontale de l'appareil. Lorsqu'il utilise une terminaison horizontale, la hauteur totale permise pour un événement vertical est de 20 pieds (6,1m). Lorsqu'il utilise une terminaison verticale, la hauteur totale permise pour un événement vertical est de 40 pieds (12,2m). Lorsque vous utilisez des composants flexibles, le nombre maximal de raccords est de deux horizontalement ou trois verticalement (excluant les raccords à l'appareil et à la section de terminaison).

Toutes les courses horizontales de l'évent peuvent avoir une élévation de 0" (0mm) par pied/mètre, toutefois, une terminaison ne doit pas être installée directement au-dessus d'un toit ou d'une entrée pavée, située entre deux maisons unifamiliales et servant aux deux maisons. Les codes ou réglementations locaux peuvent exiger des dégagements différents.

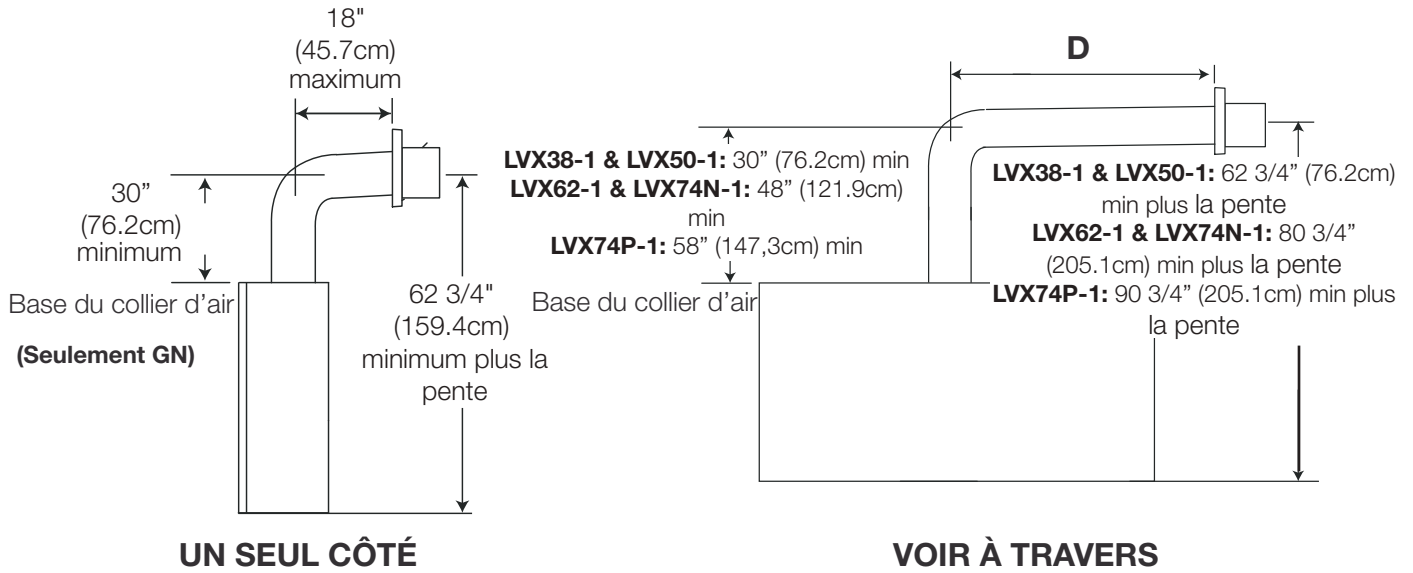
Ne laissez pas le conduit intérieur se tasser contre les courses horizontales ou verticales et les coudes. Gardez-le tendu. Pour que le fonctionnement soit sécuritaire, un espace vide de 1 1/4" (31,8mm) est requis tout autour, entre le conduit intérieur et le conduit extérieur.

Cet appareil est certifié pour utilisation avec un ensemble de terminaison à évacuation mécanique. Consultez votre détaillant autorisé pour plus d'information.

# exigences d'évacuation

FR

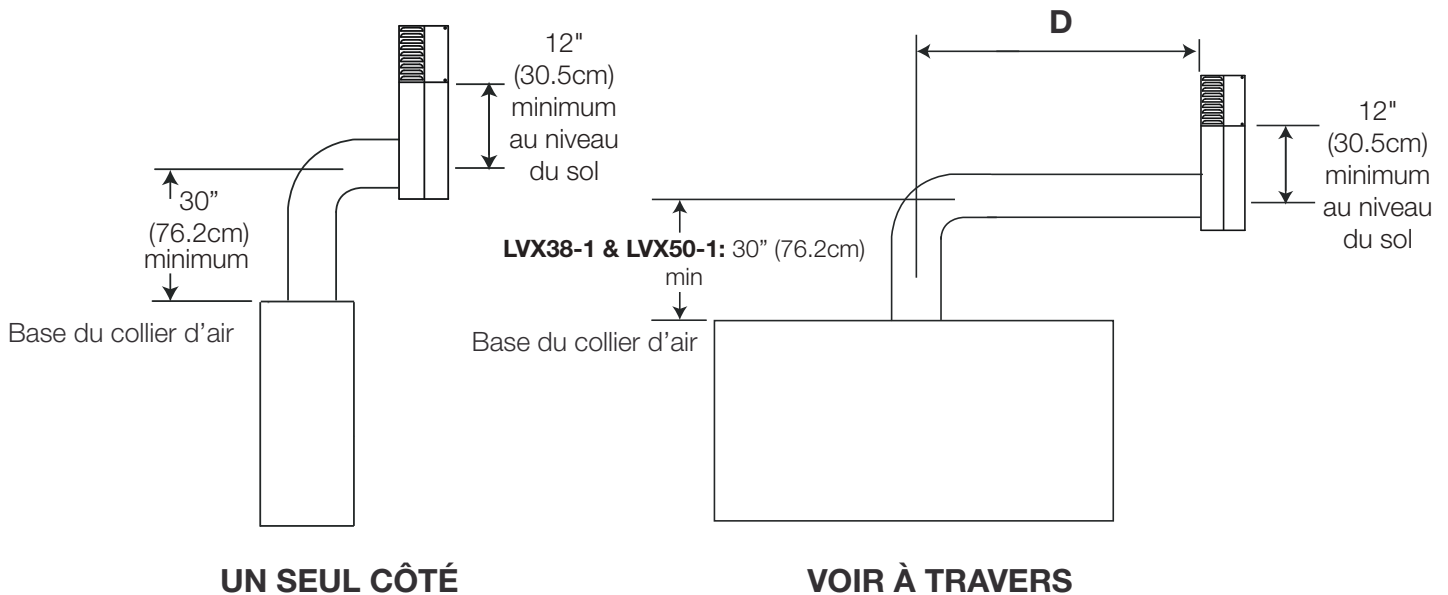
## 3.1 installation d'évacuation typique



	LVX38-1	LVX50-1	LVX62-1	LVX74-1
<b>D</b>	40" (101.6cm)	46 1/2" (118.1cm)	52 1/2" (133.4cm)	58 1/2" (148.6cm)

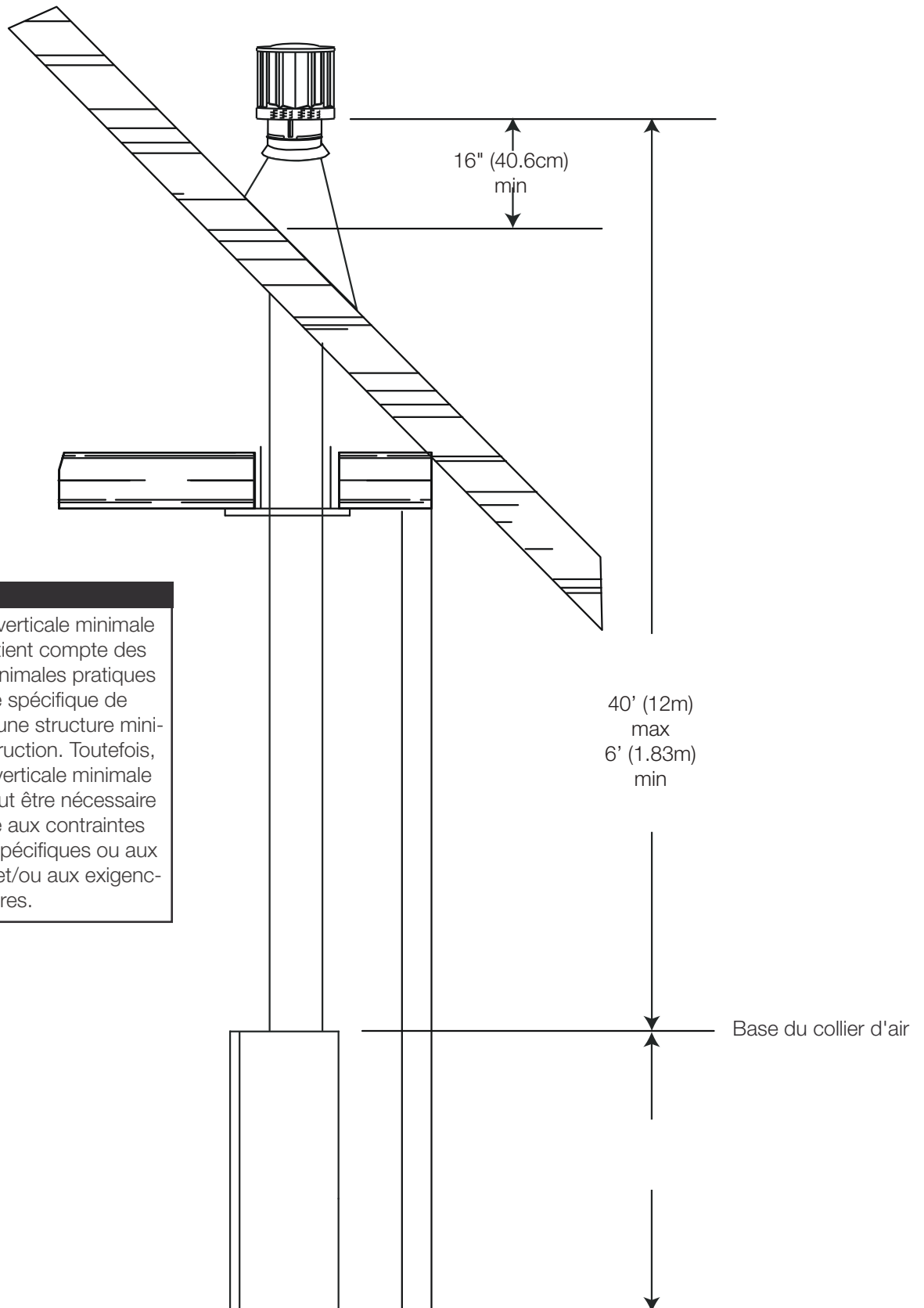
### installations particulières d'événements (ensemble périscopique)

Utilisez l'ensemble périscopique afin de positionner la terminaison au-dessus du niveau du sol. L'ensemble périscopique doit être installé de façon à ce que la fente d'air du bas soit située à un minimum de 12 pouces (30,5cm) au-dessus du niveau du sol. La longueur maximale permise de l'événement est de 10' (3m) pour un foyer et 8' (2m) pour un poêle.



	LVX38-1	LVX50-1	LVX62-1	LVX74-1
<b>D</b>	40" (101.6cm)	46 1/2" (118.1cm)	N/A	N/A

## UN SEUL CÔTÉ OU VOIR À TRAVERS



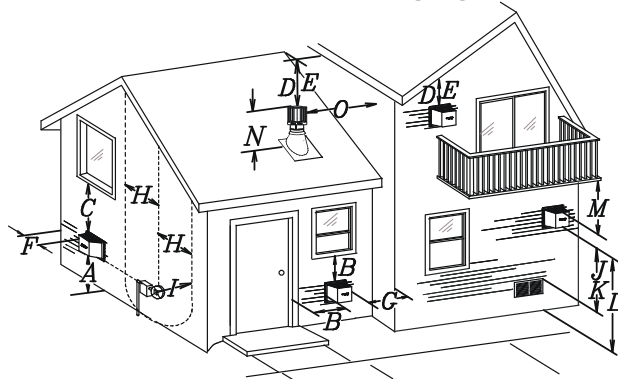
**note:**

Une élévation verticale minimale de 6' (1,83m) tient compte des dimensions minimales pratiques pour l'enceinte spécifique de l'appareil et d'une structure minimale de construction. Toutefois, une élévation verticale minimale plus élevée peut être nécessaire pour conformé aux contraintes d'application spécifiques ou aux codes locaux et/ou aux exigences réglementaires.

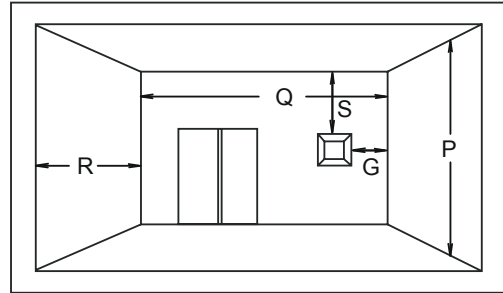
# exigences d'évacuation

FR

## 3.2 emplacements et dégagements minimaux de la terminaison



### Applications pour balcon couvert ††\*



$Q_{MIN} = 3 \text{ feet}$ (0.9m)	$R_{MAX} = 2 \times Q_{ACTUAL}$	$R_{MAX} \leq 15 \text{ feet}$ (4.6m)
--------------------------------------	---------------------------------	--

**note:**

Les terminaux du mur sont à des fins d'illustration seulement. La taille et les formes peuvent varier.

	INSTALLATIONS		
	CANADA	É.-U.	
<b>A</b>	12" (30,5cm)	12" (30,5cm)	Dégagement au-dessus du sol, d'une véranda, d'une terrasse en bois ou d'un balcon.
<b>B</b>	12" (30,5cm) <sup>Δ</sup>	9" (229mm) <sup>Δ</sup>	Dégagement des fenêtres ou des portes qui ouvrent.
<b>C</b>	12" (30,5cm)*	12" (30,5cm)*	Dégagement des fenêtres fermées en permanence.
<b>D</b>	18" (45,7cm)**	18" (45,7cm)**	Dégagement verticale d'un soffite ventilé situé au-dessus de la terminaison si la distance horizontale est de moins de 2' (0,6m) de la ligne médiane de la terminaison.
<b>E</b>	12" (30,5cm)**	12" (30,5cm)**	Dégagement d'un soffite non ventilé.
<b>F</b>	0" (0mm)	0" (0mm)	Dégagement des murs faisant coin extérieur.
<b>G</b>	0" (0mm)***	0" (0mm)***	Dégagement des murs extérieurs incombustibles faisant coin intérieur ou aux obstructions incombustibles (cheminée, etc.)
	2" (51mm)***	2" (51mm)***	Dégagement des murs extérieurs combustibles faisant coin intérieur ou aux obstructions combustibles (habillage extérieur, etc.).
<b>H</b>	3' (0,9m)	3' (0,9m)****	Dégagement horizontale de chaque côté depuis la ligne verticale tirée du centre d'un ensemble de régulateur/compteur pour une distance verticale maximale de 15' (4,6m).
<b>I</b>	3' (0,9m)	3' (0,9m)****	Dégagement d l'évent du régulateur.
<b>J</b>	12" (30,5cm)	9" (229mm)	Dégagement d'une prise d'air de ventilation non mécanique de la maison ou d'une prise d'air de combustion de tout autre appareil.
<b>K</b>	6' (1,8m)	3' (0,9m) †	Dégagement d'une prise d'air mécanique.
<b>L</b>	7' (2,1m) ‡	7' (2,1m) ****	Dégagement au-dessus d'un trottoir ou d'une entrée pavée situées sur une propriété publique.
<b>M</b>	12" (30,5cm)††	12" (30,5cm)****	Dégagement sous une véranda ou une terrasse en bois.
<b>N</b>	16" (40,6cm)	16" (40,6cm)	Dégagement au-dessus du toit.
<b>O</b>	2' (0,6m)†*	2' (0,6m) †*	Dégagement des murs adjacents, incluant les maisons voisines.
<b>P</b>	8' (2,4m)	8' (2,4m)	Le toit doit être incombustible et sans ouvertures.
<b>Q</b>	3' (0,9m)	3' (0,9m)	Voir le tableau pour les dimensions d'un mur plus large.
<b>R</b>	6' (1,8m)	6' (1,8m)	Voir la tableau pour les dimensions d'un mur plus profond. La terminaison ne doit pas être installée sur quelconque mur ayant une ouverture entre la terminaison et le côté ouvert de la structure.
<b>S</b>	12" (30,5cm)	12" (30,5cm)	Dégagement sous un balcon ouvert.

Δ Pour les structures comportant trois murs et un toit, la terminaison doit être située à plus de 6 pieds (1,8m) sous une fenêtre s'ouvrant sur un plan horizontal.

\* Recommandé afin de prévenir la formation de buée dans les fenêtres et les cassures thermiques.

\*\* Il est recommandé d'utiliser un protecteur de chaleur et de maximiser la distance au soffite de plastique.

\*\*\* L'ensemble périscopique requiert un dégagement minimal de 18 pouces (45,7cm) d'un mur extérieur faisant coin intérieur.

\*\*\*\* Ceci est une distance recommandée. Vérifiez les codes locaux pour connaître les contraintes additionnelles.

† Trois pieds au-dessus si la distance horizontale est de moins de 10 pieds (3,1m).

‡ Une terminaison d'évacuation ne doit pas être installée à un endroit où elle pourrait causer une formation dangereuse de givre ou de glace sur les surfaces d'une propriété adjacente.

†† Permis seulement si la véranda ou la terrasse en bois sont complètement ouverts sur un minimum de deux côtés sous le plancher.

†\* Recommandé afin d'éviter la recirculation des produits d'échappement. Vérifiez les codes locaux pour connaître les contraintes additionnelles.

††\* Permis seulement si le balcon est complètement ouvert sur au moins un côté.

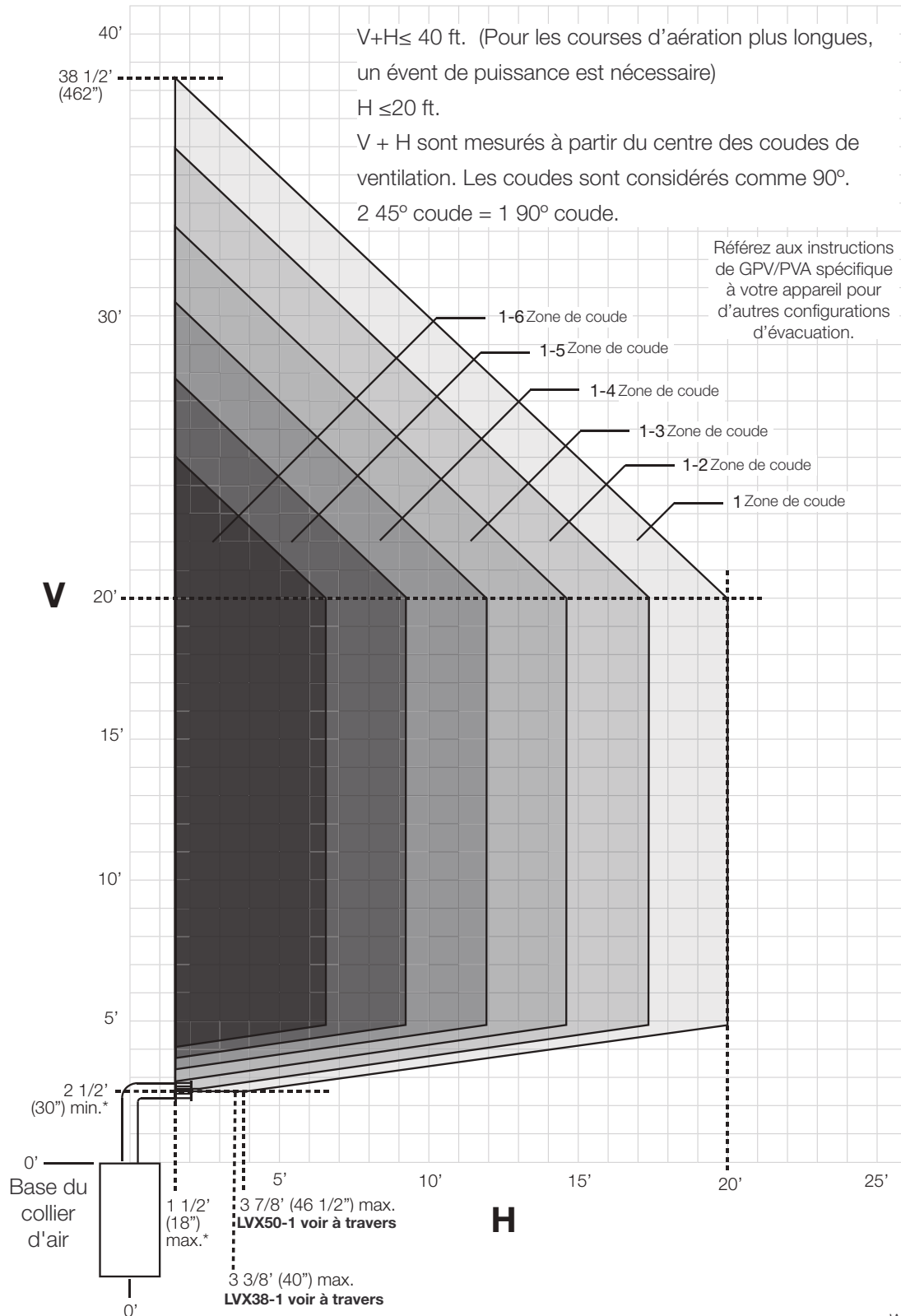
**note:**

Les dégagements doivent être conformes aux codes d'installation locaux et les exigences du fournisseur de gaz. En leur absence, les dégagements doivent être comme indiqué ci-dessous et sont basés sur des codes nationaux.

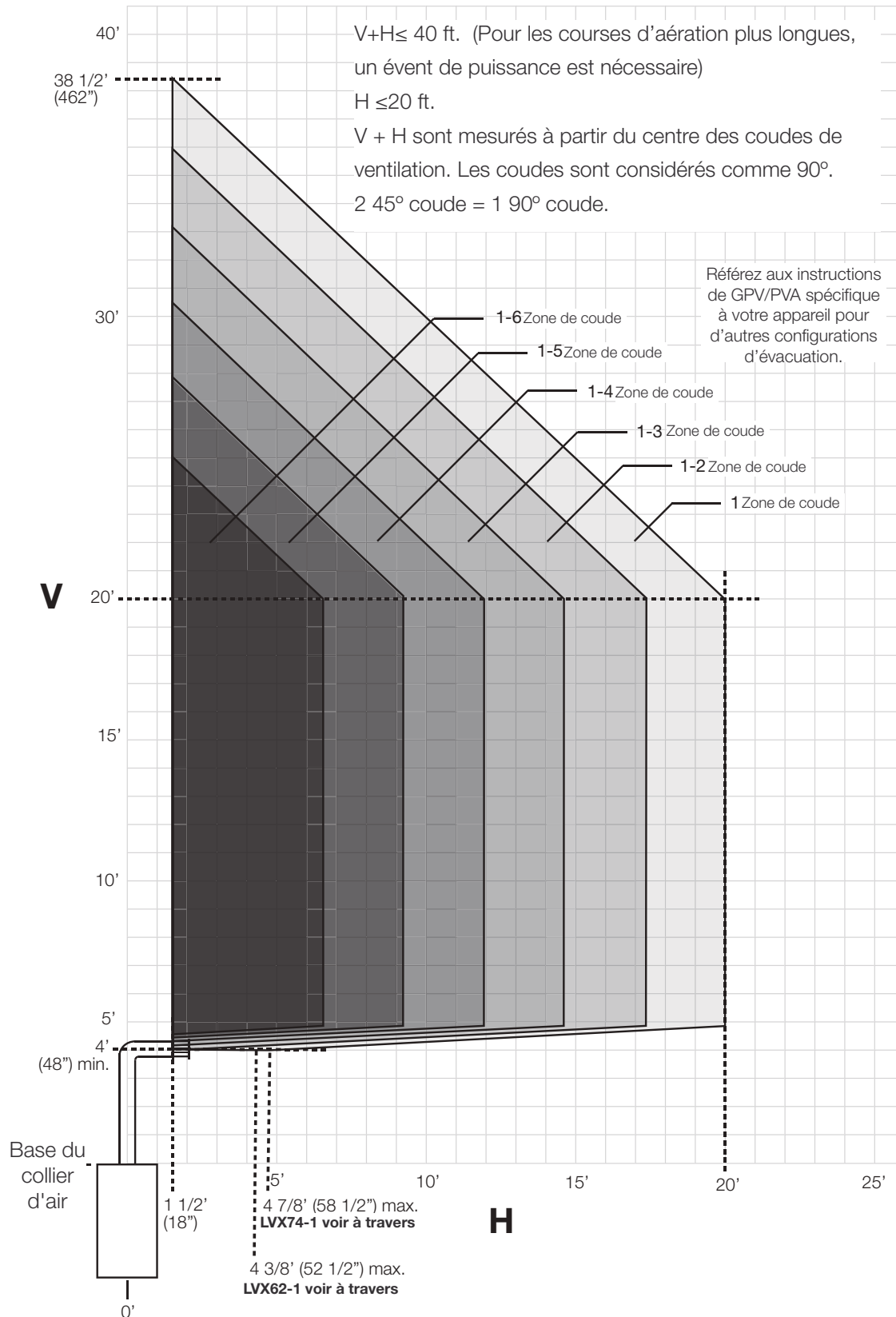


3.3 terminaison horizontale (seulement gaz naturel)

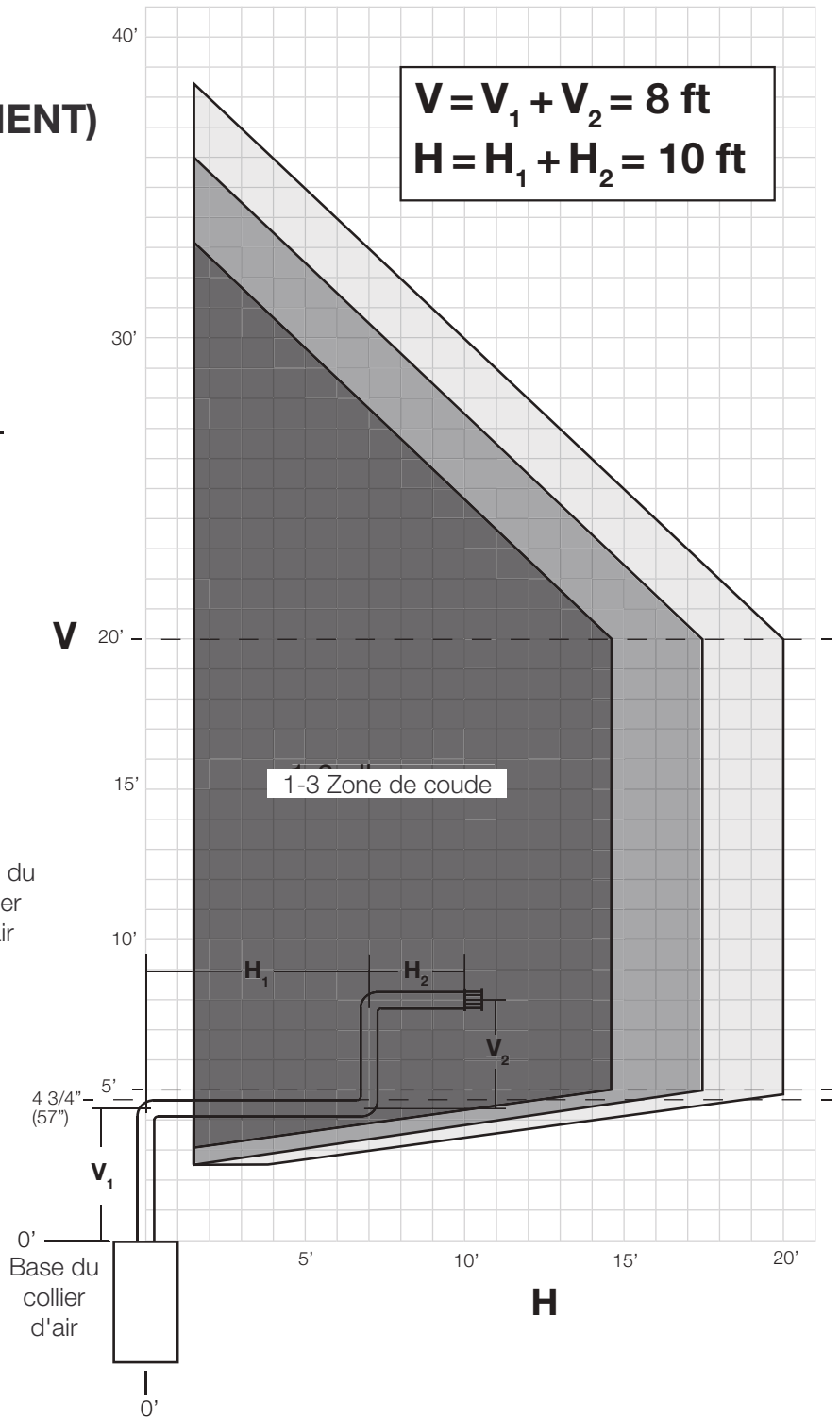
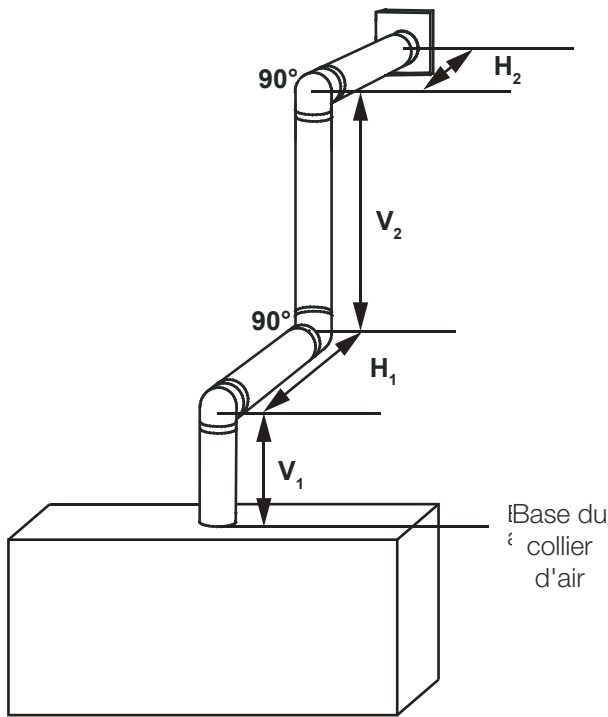
**LVX38-1 / LVX50-1 / LVX62-1 / LVX74-1 UN SEUL CÔTÉ  
&  
LVX38-1 / LVX50-1 VOIR À TRAVERS (GAZ NATUREL UNIQUE-  
MENT)**



## LVX62-1/ LVX74-1 VOIR À TRAVERS (GAZ NATUREL UNIQUEMENT)



(GAZ NATUREL UNIQUEMENT)



**V et H sont mesurés à partir du centre des coudes de ventilation.**

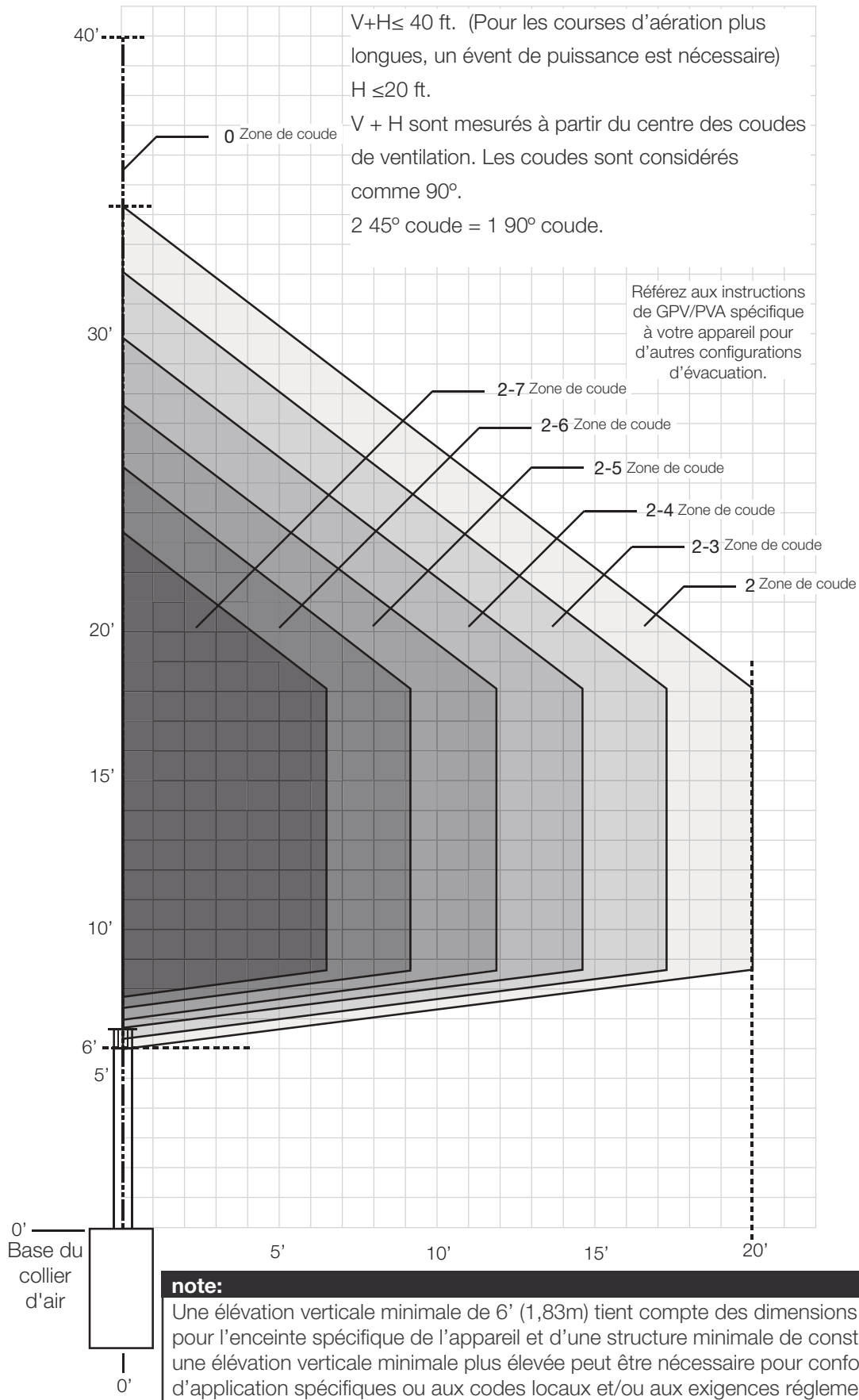
Cet exemple représente un évant qui a un maximum de trois coudes, une longueur de ventilation horizontale combinée (H) de 10 pieds et une longueur d'évant verticale (V) combinée de 8 pieds

Étant donné que l'évant est situé dans la zone sombre, il se trouve dans la configuration d'évant acceptable.

# exigences d'évacuation

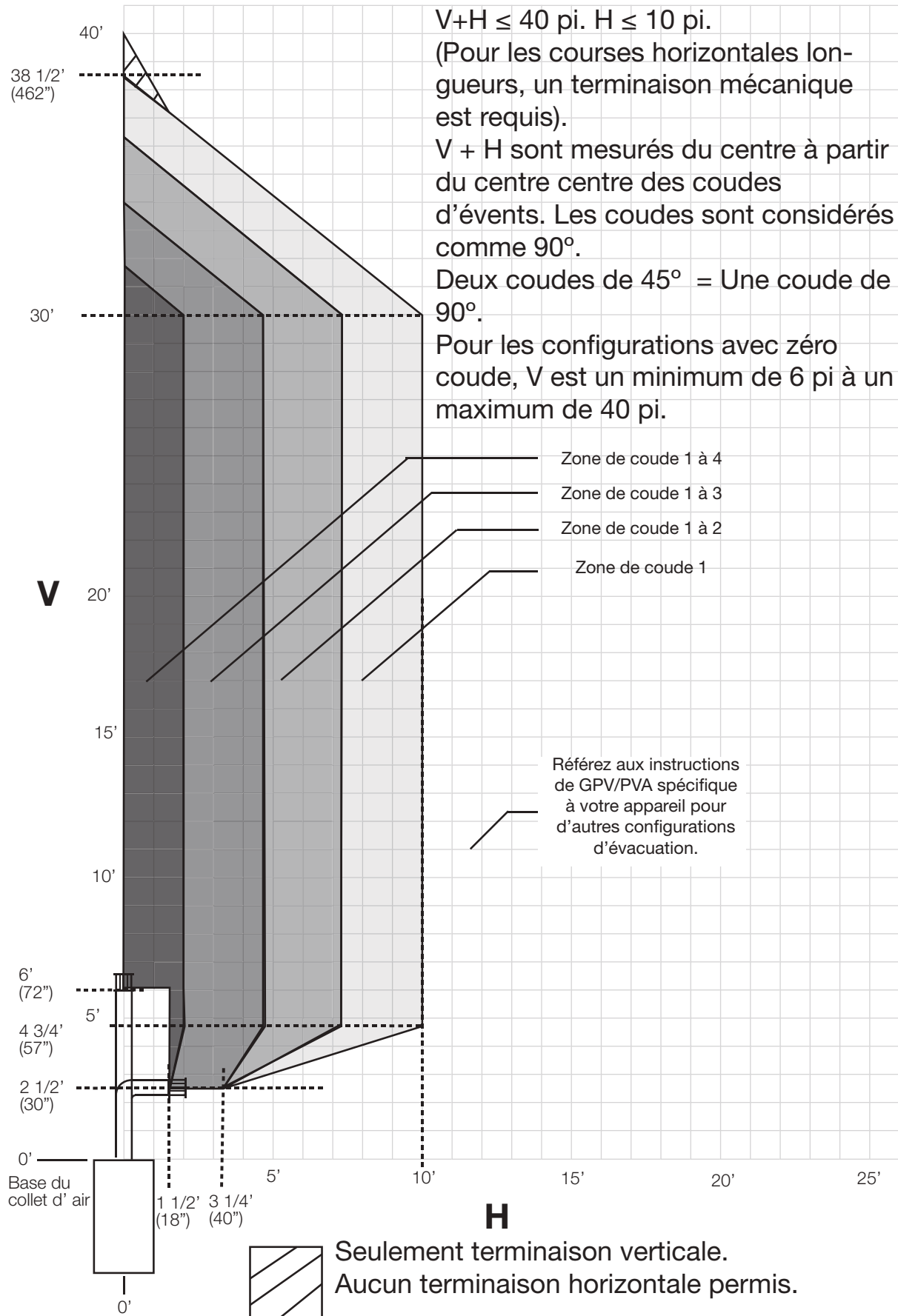
## FR 3.4 terminaison verticale (seulement gaz naturel)

### TOUS LES APPAREILS (GAZ NATUREL UNIQUEMENT)



3.5 configurations d'évacuation LVX38-1 (seulement propane)

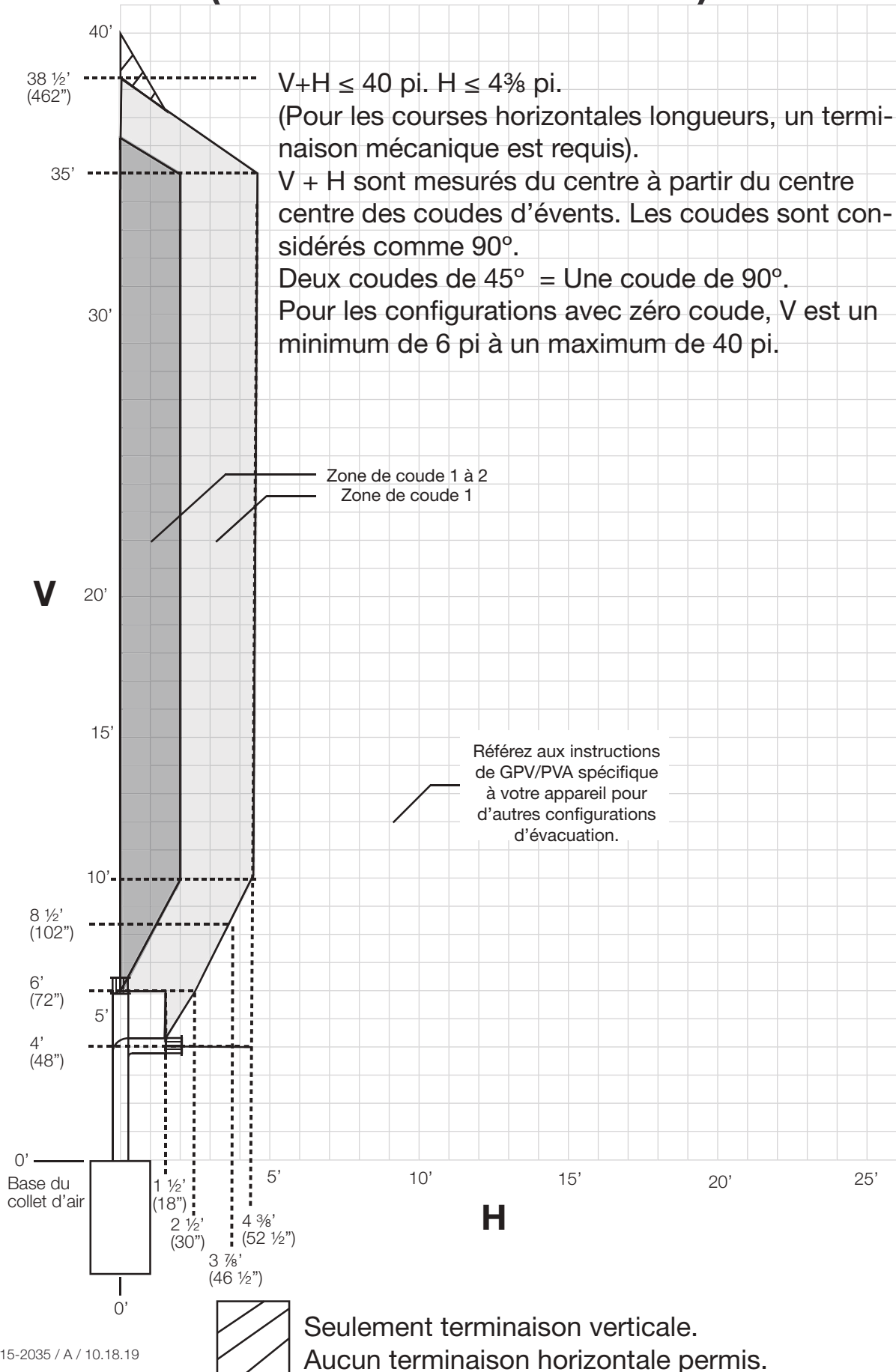
**(PROPANE UNIQUEMENT)**



# exigences d'évacuation

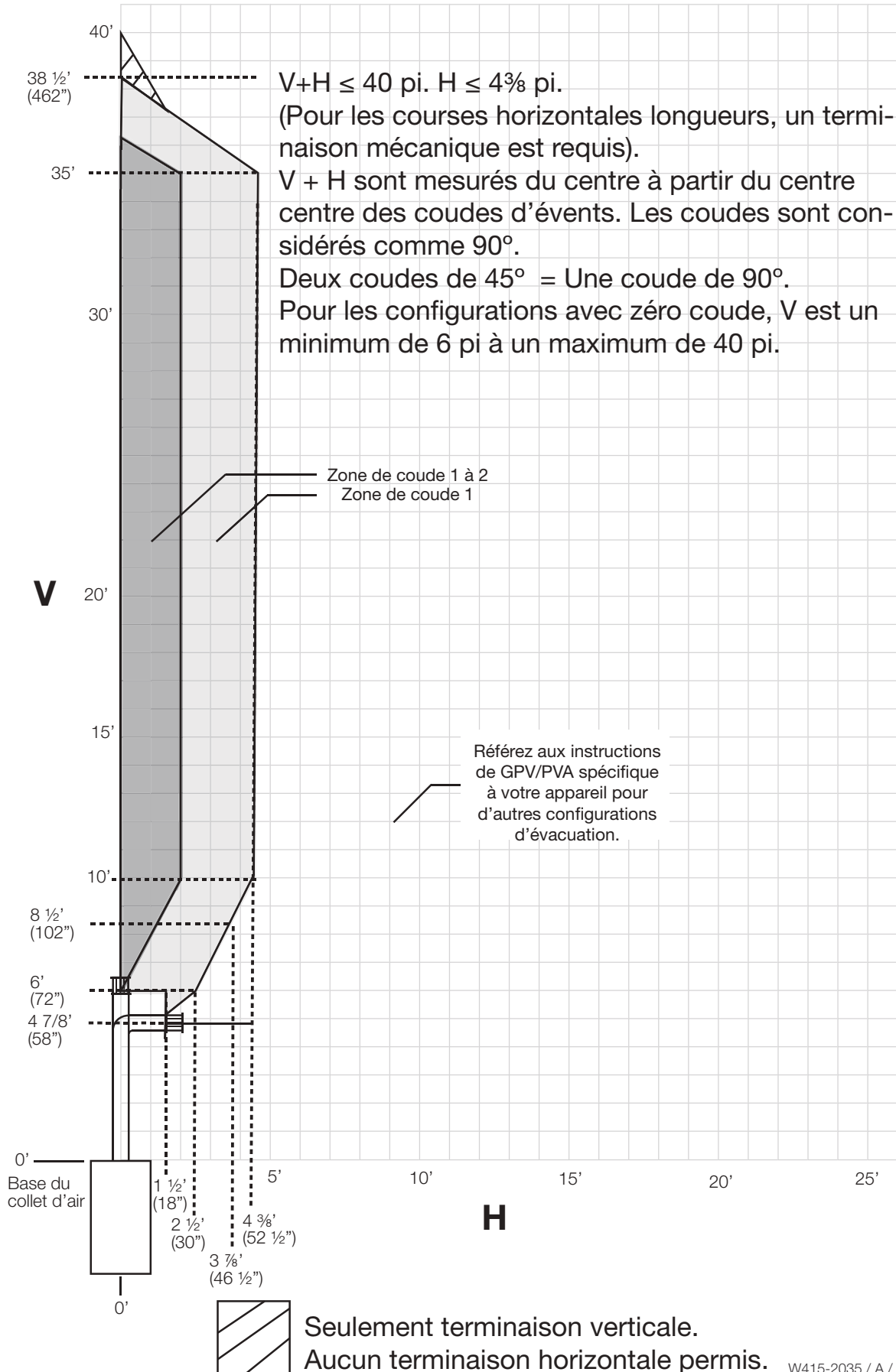
## FR 3.6 configurations d'évacuation LVX50-1 / LVX62-1

### (PROPANE UNIQUEMENT)



3.7 configurations d'évacuation LVX74-1

(PROPANE UNIQUEMENT)



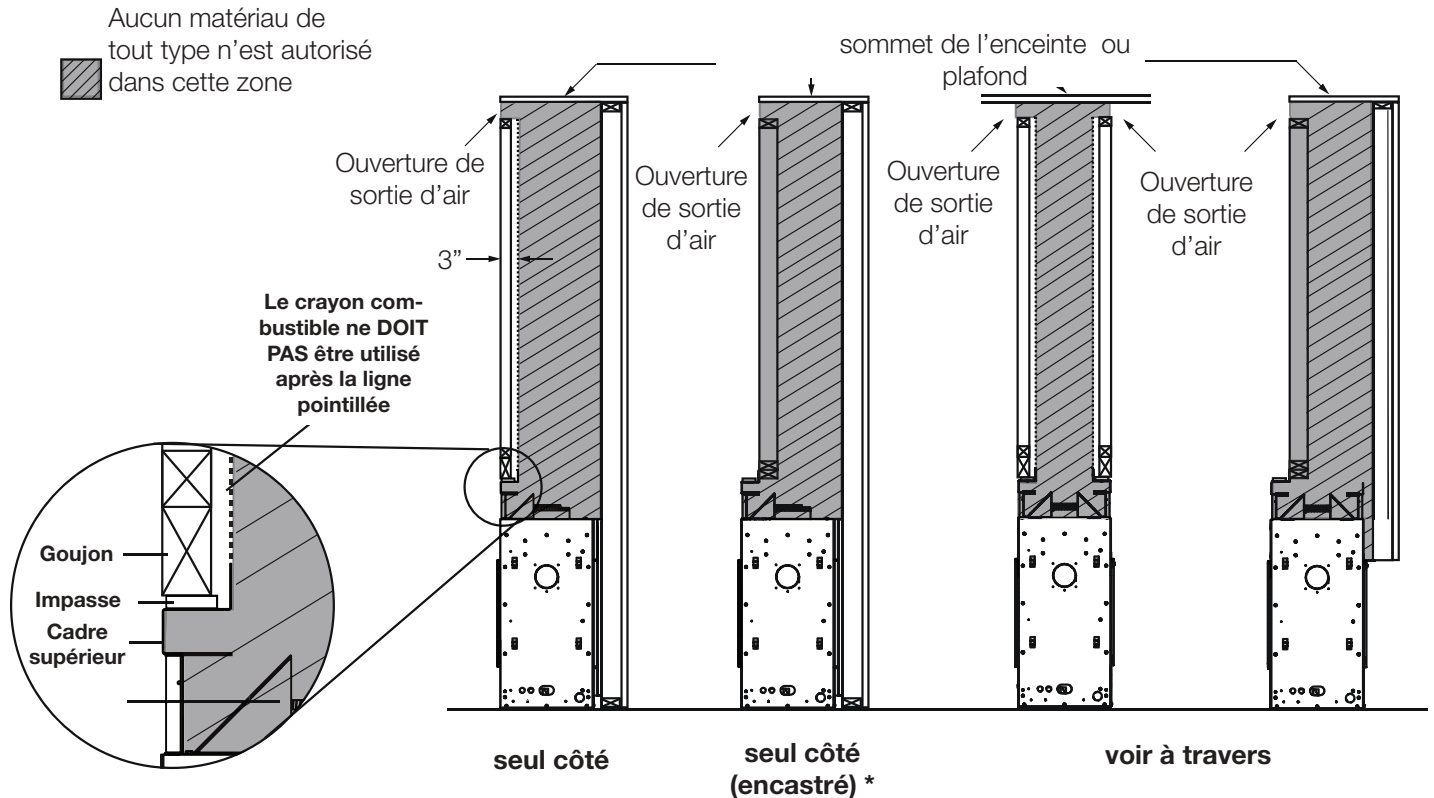
## 4.0 planification de l'installation

FR

### ! AVERTISSEMENT

- **NE PAS** couvrir ou placer d'objets dans les ouvertures de ventilation. Cela permettra à l'appareil de fonctionner de manière incorrecte et peut causer un risque d'incendie.
- Assurez-vous que le débit d'air dans la zone de l'enceinte n'est pas restreint d'aucune façon à l'exception de l'évacuation approuvée.

Lisez la section **Dynamic Heat Control<sup>MD</sup>** avant de continuer.



\* Des restrictions s'appliquent également à see-thru lorsqu'une ou plusieurs cavités sont utilisées.

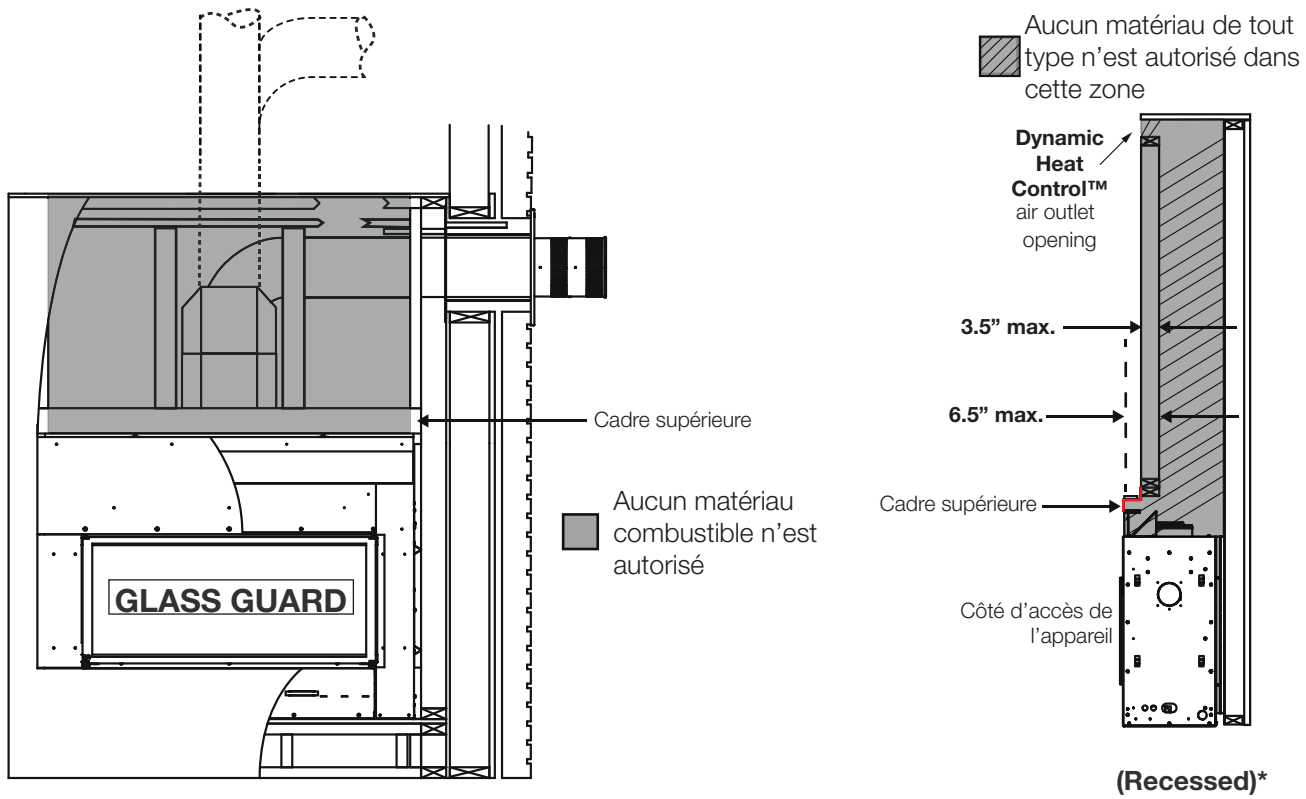
Le débit d'air dans la zone ombrée **ne doit pas être** restreint d'aucune façon, à l'exception d'un système d'évacuation approuvé. Aucun autre élément n'est autorisé dans ce domaine.

L'encadrement ombragé **doit** utiliser des matériaux incombustibles. Aucun matériau combustible n'est autorisé dans cette zone ou dans l'espace entre les plots (c'est-à-dire sans câblage, conduits, perçages électriques, éléments de charpente combustibles, etc.).



# exigences d'évacuation

Si des goujons en acier sont utilisés pour faciliter une cavité partielle, ils ne peuvent être utilisés qu'à une profondeur maximale de 3,5 "(c'est-à-dire un goujon). Si l'appareil est encastré plus loin dans l'enceinte, le passage d'air sera limité à travers le système **DHC<sup>MD</sup>**.



# exigences d'évacuation

FR

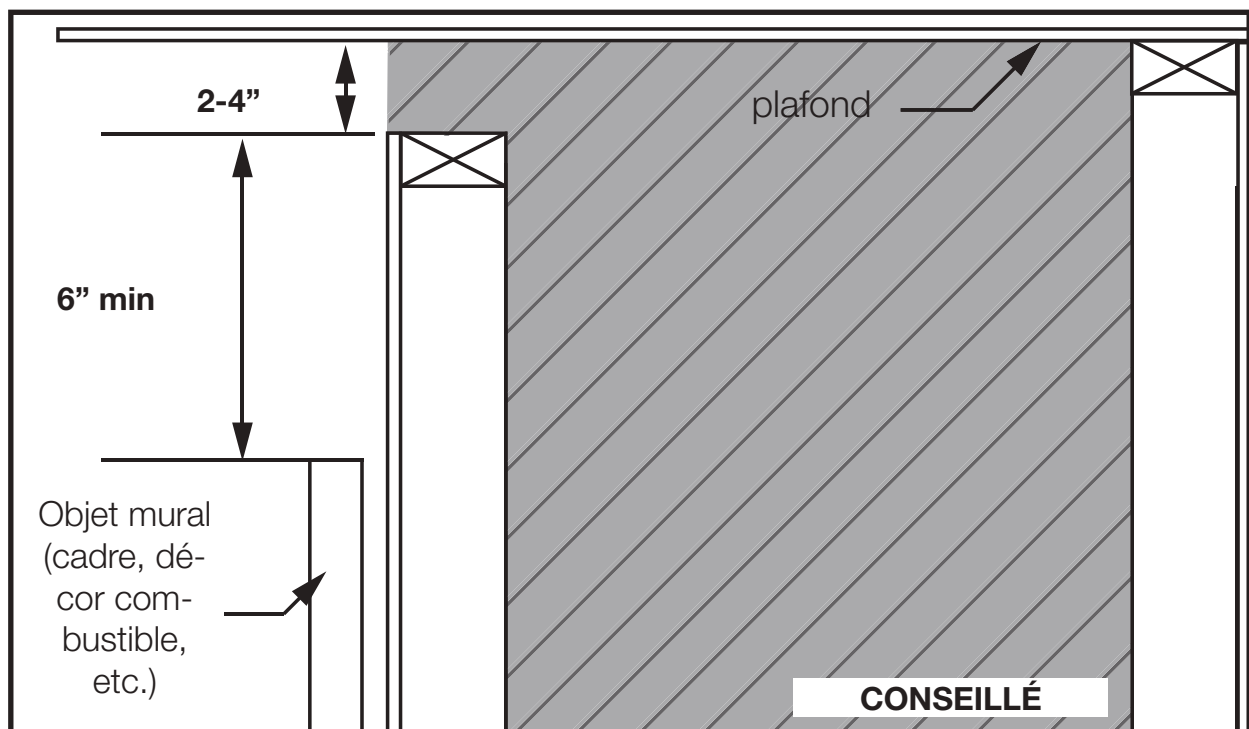
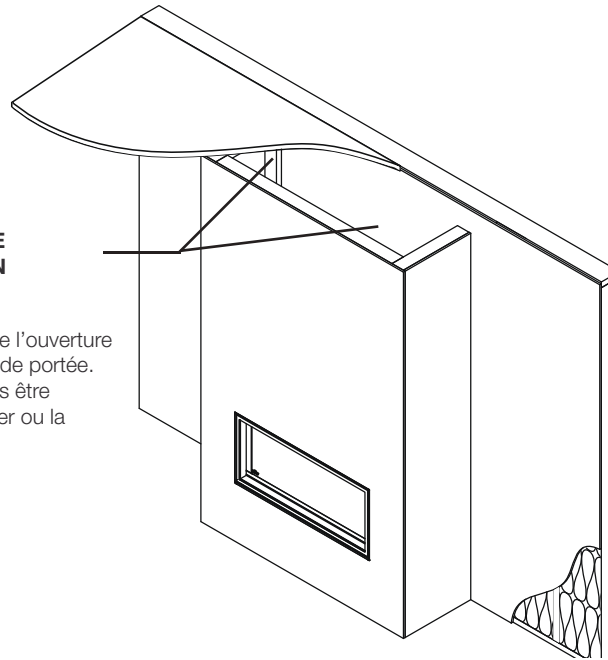
## 4.1 option d'installation 1 - enceinte ouverte (l'enceinte s'arrête du plafond)

### NON Convient pour Dynamic Heat Control<sup>MD</sup> Plus

Il est une option de ne pas finir ou fermer dans le haut de l'enceinte pour fournir le chemin de circulation d'air nécessaire pour le système **Dynamic Heat Control<sup>MD</sup>**. Laisser une sortie d'air complète au-dessus de l'enceinte a été jugé bien accepté en ce qui concerne l'apparence finale et offre une distraction minimale. Cela permet également une circulation efficace de l'air dans la pièce. Cette option offre la méthode la plus simple pour l'encadrement et l'installation. (Si vous installez **Dynamic Heat Control<sup>MD</sup> plus**, reportez-vous à l'option 2 ou 3 - DHC<sup>MD</sup> Plus ne peut pas être utilisé avec l'option 1). Il est nécessaire de limiter la taille de l'ouverture à 4 "pour réduire le risque que des objets ne tombent par inadvertance dans l'enceinte. **L'ouverture de sortie d'air doit s'étendre autour de tout le périmètre, ou de toute la face avant de l'enceinte, où l'enceinte s'étend d'un mur à l'autre.**

**L'OUVERTURE EST CHAUDE LORSQUE L'APPAREIL EST EN MARCHÉ!**

Il est recommandé que l'ouverture avant soit située hors de portée. L'ouverture ne doit pas être obstruée par le mobilier ou la décoration.

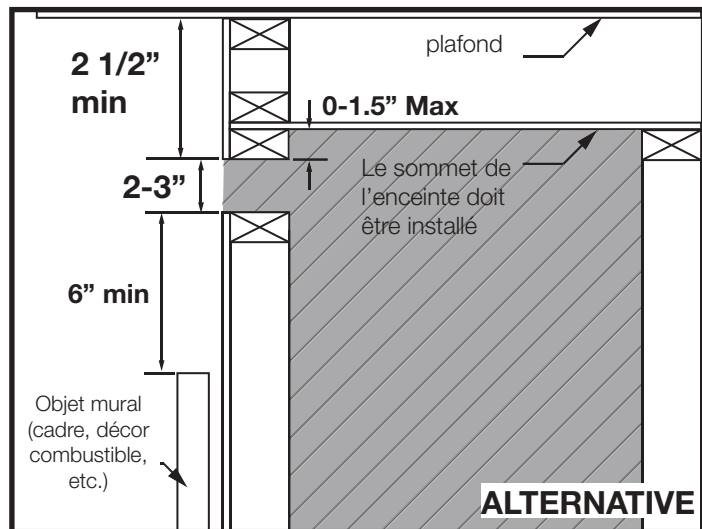
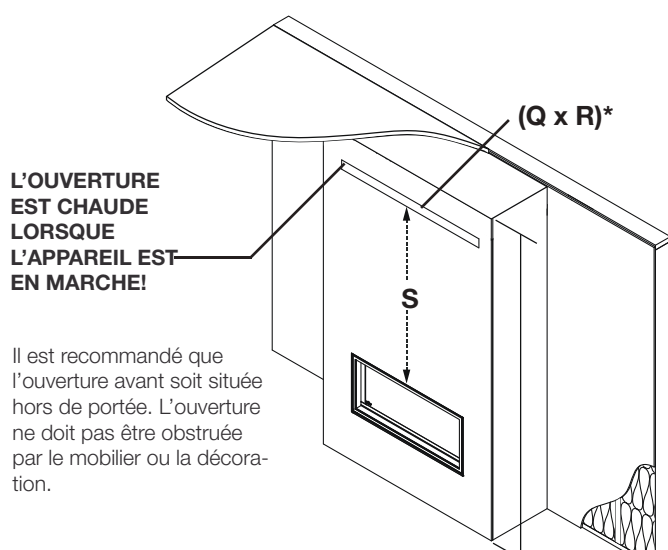


## 4.2 option d'installation 2 - ouverture avant

Convient pour Dynamic Heat Control<sup>MD</sup> Plus

Convient pour la Garniture Linéaire Dynamique

La dimension d'ouverture minimale doit être respectée. L'ouverture doit être située au maximum 1,5 po en dessous du dessus de l'enceinte. **Placer l'ouverture avant plus bas risque de faire surchauffer l'appareil, l'enceinte et les matériaux de finition.**



L'ouverture doit être centrée géométriquement avec l'appareil.

### DIMENSIONS MINIMALES D'OUVERTURE

	LVX38-1	LVX50-1	LVX62-1	LVX74-1
<b>(Q x R)*</b>	80 sq. in. minimum (Q <b>DOIT</b> être 2-3")		160 sq. in. minimum (Q <b>DOIT</b> être 2-3")	
<b>S</b>	Cette dimension est déterminée à partir de la hauteur de l'enceinte (L) moins la distance au sommet de l'ouverture de sortie d'air Dynamic Heat Control <sup>MD</sup> (0 "-1,5"), la hauteur de l'ouverture d'air (2 "-3") et la distance de la base de l'appareil vers le haut de la zone de visualisation de l'appareil (25 11/16 ").			

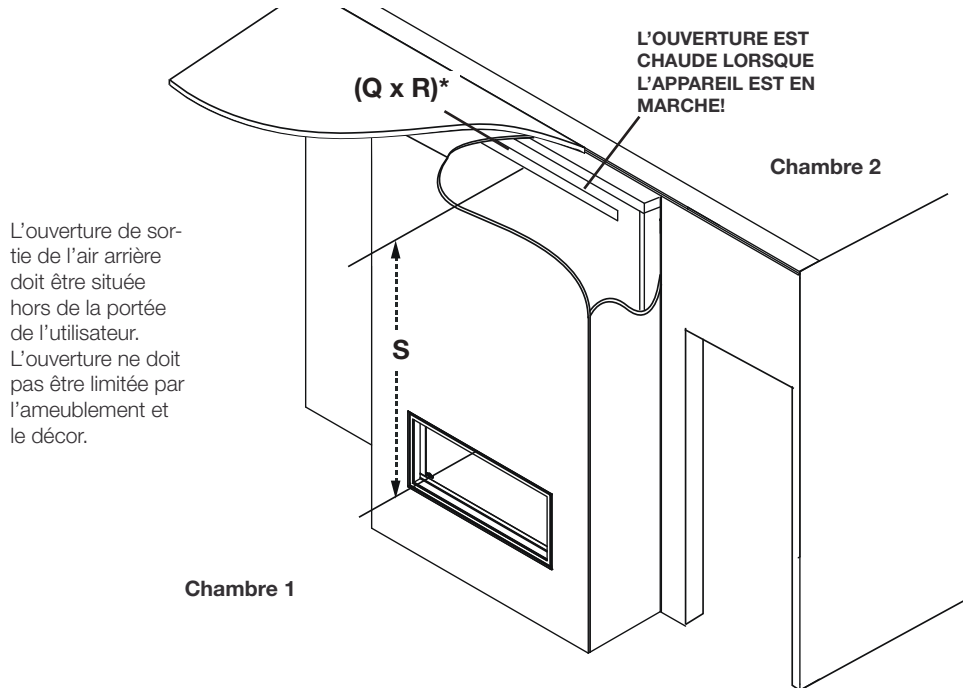
**\* Zone gratuite. Toute bordure ou finition ne doit pas réduire la surface minimale. Les grilles, grilles, lamelles ou autres couvercles non approuvés ne sont pas autorisés et peuvent causer des risques d'incendie.**

# exigences d'évacuation

## FR 4.3 option d'installation 3 - ouverture arrière

Convient pour Dynamic Heat Control<sup>MD</sup> Plus  
Convient pour la Garniture Linéaire Dynamique

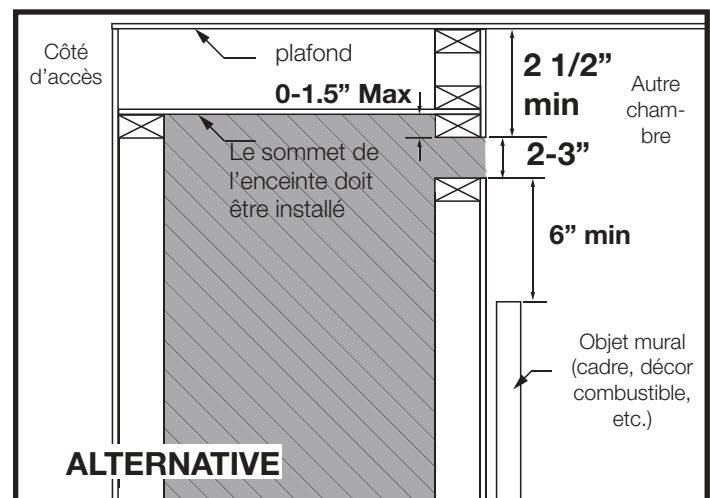
La dimension minimale d'ouverture de sortie d'air doit être suivie. L'ouverture doit être encadrée à plus de 1,5 "en dessous du sommet de l'enceinte (voir le diagramme de l'option 3) pour éviter de piéger la chaleur dans les zones supérieures et centrée sur le centre de l'appareil. **Encadrer l'ouverture arrière inférieure surchauffe l'appareil, l'enceinte et le matériau de finition.**



L'ouverture doit être centrée géométriquement avec l'appareil.

### ⚠ AVERTISSEMENT

- Lors de l'utilisation d'une ouverture de sortie d'air arrière (ou de deux faces), il est essentiel que la pièce adjacente ou les espaces de vie se trouvent dans une communication aérienne directe (c'est-à-dire d'une configuration à plan ouvert ou connectée par une porte ou une arche ouverte en permanence). Cela empêche l'appareil d'avoir une pression négative supérieure à celle de la pièce adjacente. Le non-respect de ces exigences peut entraîner l'inversion du flux d'air Dynamic Heat Control<sup>MD</sup> et provoquer une surchauffe de l'appareil, du système Glass Guard et des matériaux de finition, ce qui crée un risque d'incendie.



#### note:

L'augmentation de l'ouverture de la sortie d'air permettra à l'appareil, à la barrière de verre (le cas échéant), aux températures sur les surfaces au-dessus de l'ouverture du foyer et à l'enceinte à des températures plus fraîches. Cela permettra également à l'air de circuler plus efficacement dans la salle. **Toutefois, si l'appareil est équipé de Dynamic Heat Control<sup>MD</sup> Plus, la taille d'ouverture doit être de 80 pi2 pour les modèles LVX38-1 et LVX50-1, ou 160 pi2 pour les modèles LVX62-1 et LVX74-1.**

## 4.4 option d'installation 4 - lambrequin

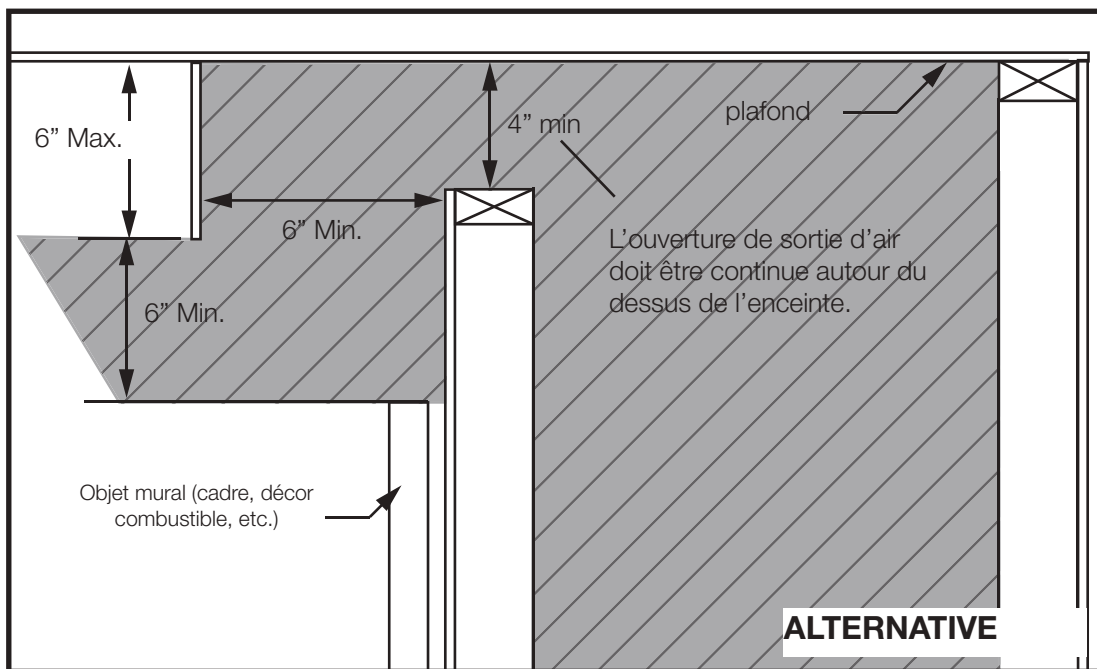
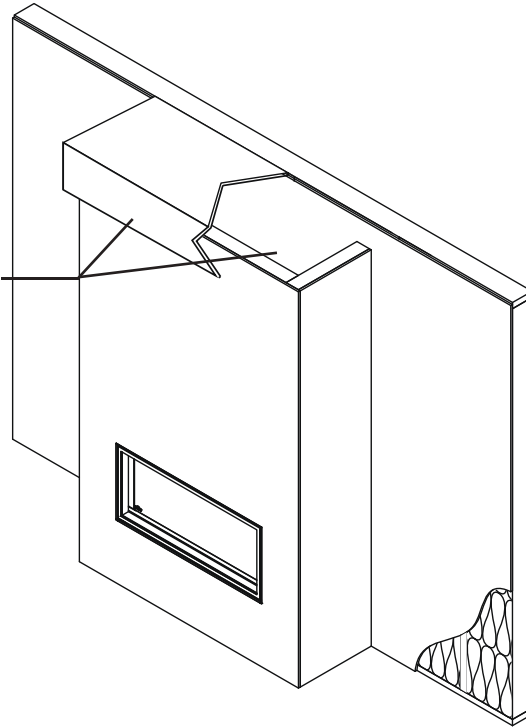
### NON Convient pour Dynamic Heat Control<sup>MD</sup> Plus

C'est une autre option pour ajouter une caleçon avec la configuration de l'option 1. Les dimensions minimales d'ouverture et les dimensions des cantonnières doivent être suivies (voir le diagramme de l'option 4). **Encadrer la valence de façon incorrecte surchauffe l'appareil, l'enceinte et le matériau de finition.**

**NOTE:** L'ouverture de la sortie d'air doit être au moins continue autour du haut de l'enceinte pour permettre une tolérance. L'utilisation de l'ouverture de sortie d'air minimale à partir des options 1 ou 2 n'est pas autorisée et surchauffe l'appareil.

Il est recommandé que l'ouverture avant soit située hors de portée. L'ouverture ne doit pas être obstruée par le mobilier ou la décoration.

**L'OUVERTURE EST CHAUDE LORSQUE L'APPAREIL EST EN MARCHÉ!**



ABSOLUMENT AUCUNE OBSTRUCTION OU RESTRICTION AUTORISÉE DANS LA ZONE ENSEMBLE TOTALE AVEC L'EXCEPTION DE LA VENTILATION APPROUVÉE

## 5.0 encadrement approximatif - avant l'installation de l'appareil

FR

### note:

Lorsque vous installez les accessoires de finition optionelles, les dimensions de l'ossature et les matériaux de finition peuvent différer de ce qui est décrit dans ces instructions ci-dessous, voir les instructions fournies dans le trousse de l'accessoire pour les spécifications détaillées.

### AVERTISSEMENT

- Risque d'incendie!
- Afin d'éviter la possibilité d'un isolant exposé ou d'un pare-vapeur entrant en contact avec le corps de l'appareil, il est recommandé que les parois de l'enceinte de l'appareil soient "finis" (c.-à-d. Cloisons sèches / tôles), car vous finirez tout autre mur extérieur de une maison. Cela garantira que l'élimination des combustibles soit maintenue dans la cavité.
- Ne pas coincer le cadre autour de l'appareil. Le non-maintien de l'espace libre peut provoquer un excès de chaleur et un incendie. Empêcher le contact avec une isolation ou un encadrement ou d'autres matériaux combustibles. Ouverture de bloc dans la chasse pour empêcher l'entrée d'isolant soufflé. Assurez-vous que l'isolation et les autres matériaux sont sécurisés.
- Les dégagements minimaux aux matériaux combustibles doit être maintenue ou un risque d'incendie grave pourrait en résulter.
- L'appareil requis un hauteur minimum de l'enceinte. Mesurez du bas de l'appareil.
- Les dimensions minimaux de l'enceinte, passages d'air, l'entrées et les sorties **doivent être** maintenus.

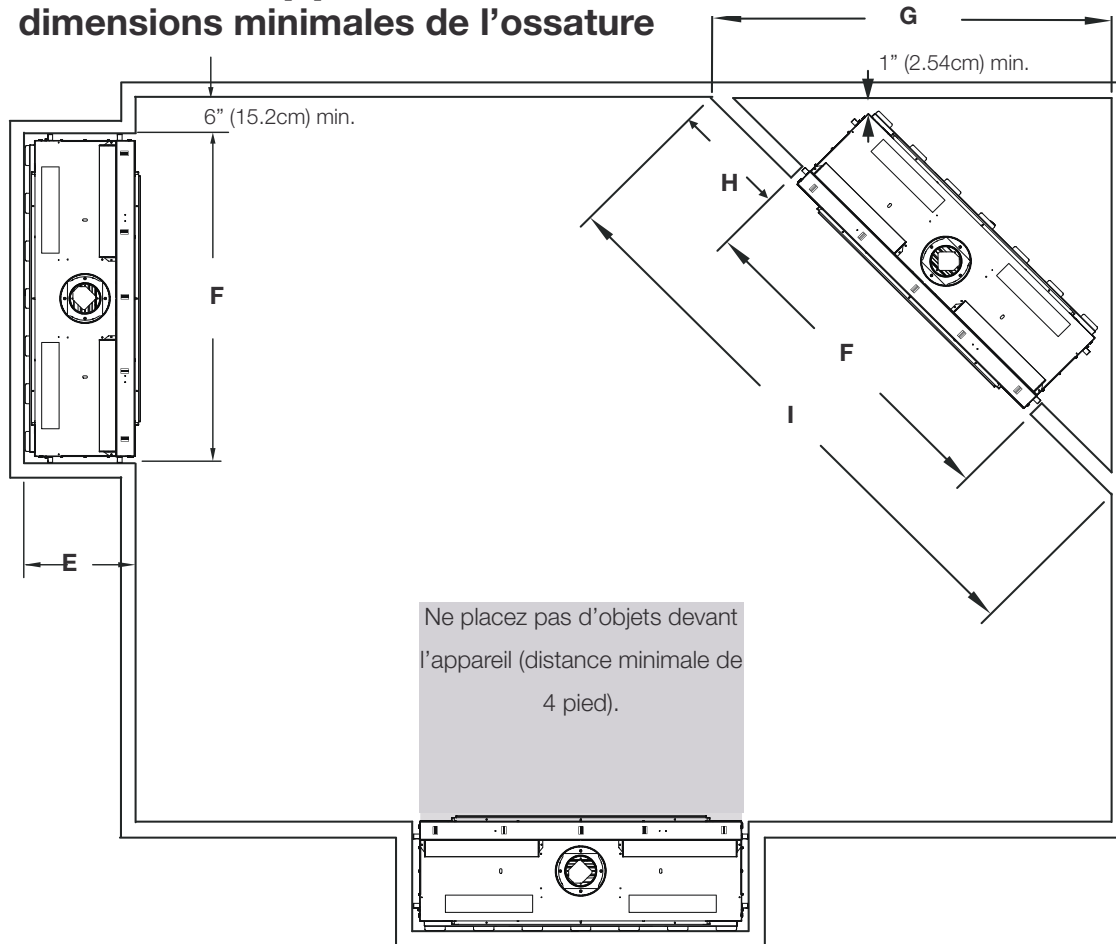
### note:

Pour les matériaux de finition plus lourds comme du marbre, nous vous recommandons d'ajouter un support additionnel à l'ossature. Assurez-vous que le support de plancher est adéquat pour l'appareil et le matériau de finition.

# encadrement approximatif - avant l'installation de l'appareil

## 5.1 dimensions minimales de l'ossature

FR



	LVX38-1	LVX50-1	LVX62-1	LVX74-1
*E	18" (45.7cm)**			
F	53 13/16" (136.7cm)	65 13/16" (167.2cm)	77 13/16" (197.6cm)	89 13/16" (228.1cm)
G	63 3/4" (162cm)	72 1/4" (183.5cm)	80 11/16" (205cm)	89 1/4" (226.6cm)
H	18 3/16" (46.2cm)			
I	90 3/16" (229cm)	102 3/16" (259.5cm)	114 1/8" (289.9cm)	126 1/8" (320.4cm)

**Sections d'événements horizontales:** Un dégagement minimum aux matériaux combustibles de 3" (76mm) au-dessus hors de l'enceinte et 2" (51mm) sur les côtés et au-dessous hors de l'enceinte toute autour du conduit d'évacuation sur toutes les courses horizontales. Les sections d'évacuation horizontales dans les enceintes doit maintenir un dégagement minimaux de 6" (152mm) au-dessus du conduit d'évacuation.

**Sections d'événements verticales:** Un dégagement minimum aux matériaux combustibles de 1" (25mm) est requis toute autour du conduit d'évacuation sur toutes les courses verticales à l'exception des dégagements à l'intérieur de l'enceinte de l'appareil. Les courses d'évacuation verticales dans les enceintes requis un dégagement minimum de 1" (25mm) autour du conduit d'évacuation.

\*Modèle d'un seul côté illustré.

\*\*Maximum de 21" (53,5cm)

# encadrement approximatif - avant l'installation de l'appareil

FR

## 5.1.1 dégagements minimaux de l'enceinte

1" [25mm] minimum sur les côtés pour les sections d'évacuation verticale.

En passant par un plafond, utilisez l'intercalaire coupe-feu W500-0028 (non fourni)

**un seul côté**

6" [152mm] minimum (dedans l'enceinte)

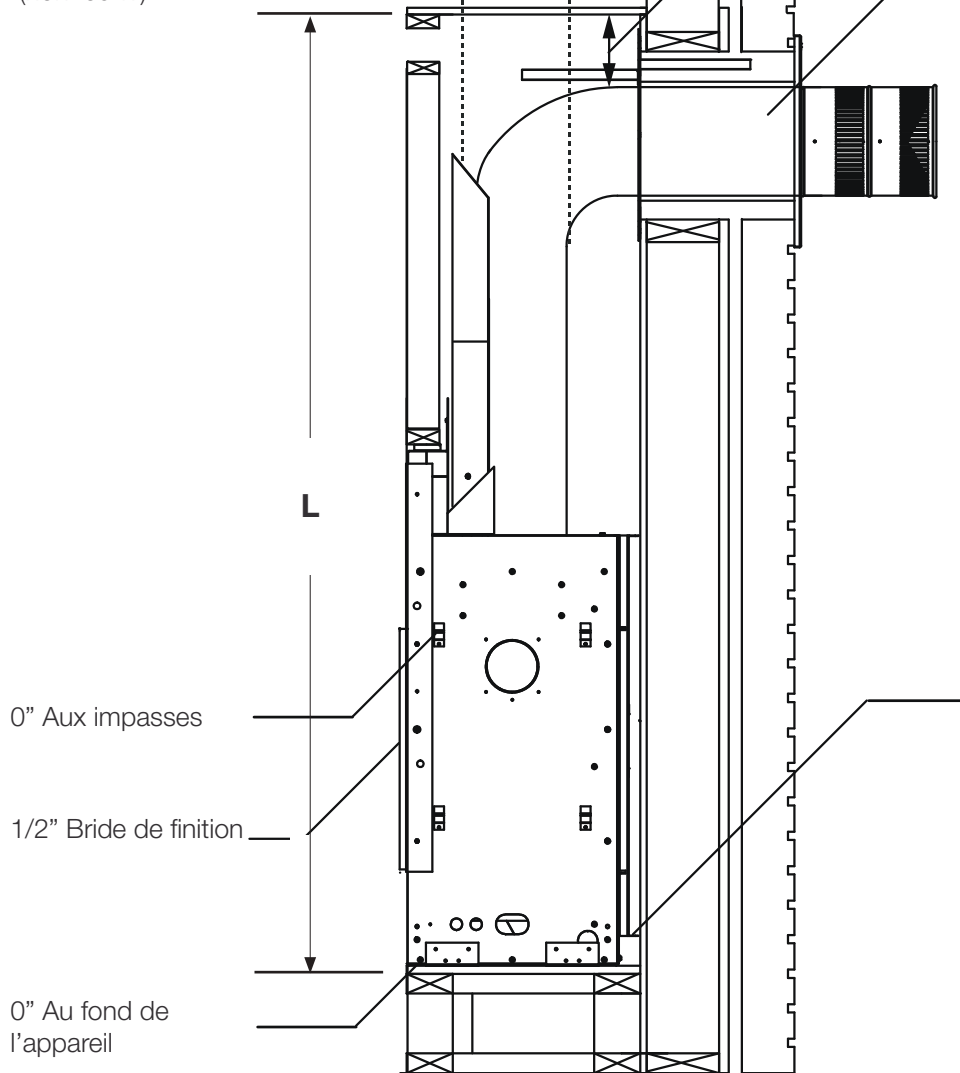
3" [76mm] en haut (hors de l'enceinte)

2" [51mm] aux côtés / bas (hors de l'enceinte)

En passant par un mur, utilisez l'ensemble d'écartement du feu de fer W010-4178 (fourni)

0" "aux finitions non combustibles telles que la brique et la pierre. Lorsque vous utilisez une finition non combustible, utilisez uniquement l'entretoise de sélecteur de foyer (W615-0162) inclus dans l'ensemble coupe-feu (W010-4178)

0" pour retourner les impasses



**Sections d'événements horizontales:** Un dégagement minimum aux matériaux combustibles de 3" (76mm) au-dessus hors de l'enceinte et 2" (51mm) sur les côtés et au-dessous hors de l'enceinte toute autour du conduit d'évacuation sur toutes les courses horizontales. Les sections d'évacuation horizontales dans les enceintes doit maintenir un dégagement minimum de 6" (152mm) au-dessus du conduit d'évacuation.

**Sections d'événements verticales:** Un dégagement minimum aux matériaux combustibles de 1" (25mm) est requis toute autour du conduit d'évacuation sur toutes les courses verticales à l'exception des dégagements à l'intérieur de l'enceinte de l'appareil. Les courses d'évacuation verticales dans les enceintes requies un dégagement minimum de 1" (25mm) autour du conduit d'évacuation.

### dégagements minimum

Ref	LVX38-1	LVX50-1	LVX62-1	LVX74-1
L	73" (185.4cm)		91" (231.1cm)	

#### note:

La série LVX requies un minimum hauteur d'enceinte, comme illustré (dimension L), mesuré du bas de l'appareil. Pour les exigences de températures, cet espace doit être dégager. Certains configurations qui requies un enceinte plus large pour fournir les dégagements minimaux entre les conduits d'évacuation et les combustibles. Aussi, nous recommandons que l'enceinte soit ventiler en haut et en bas pour circuler l'air chaud.



# encadrement approximatif - avant l'installation de l'appareil

## Voir à travers

1" [25mm] minimum sur toutes des sections d'évacuation verticale.

En passant par un plafond, utilisez l'espaceur coupe-feu W500-0028 (non fourni)

3" [76mm] (minimum toutes côtés pour les sections d'évacuation horizontales) hors de l'enceinte.

6" [152mm] minimum (dedans l'enceinte)

3" [76mm] en haut (hors de l'enceinte)  
2" [51mm] aux côtés / bas (hors de l'enceinte)

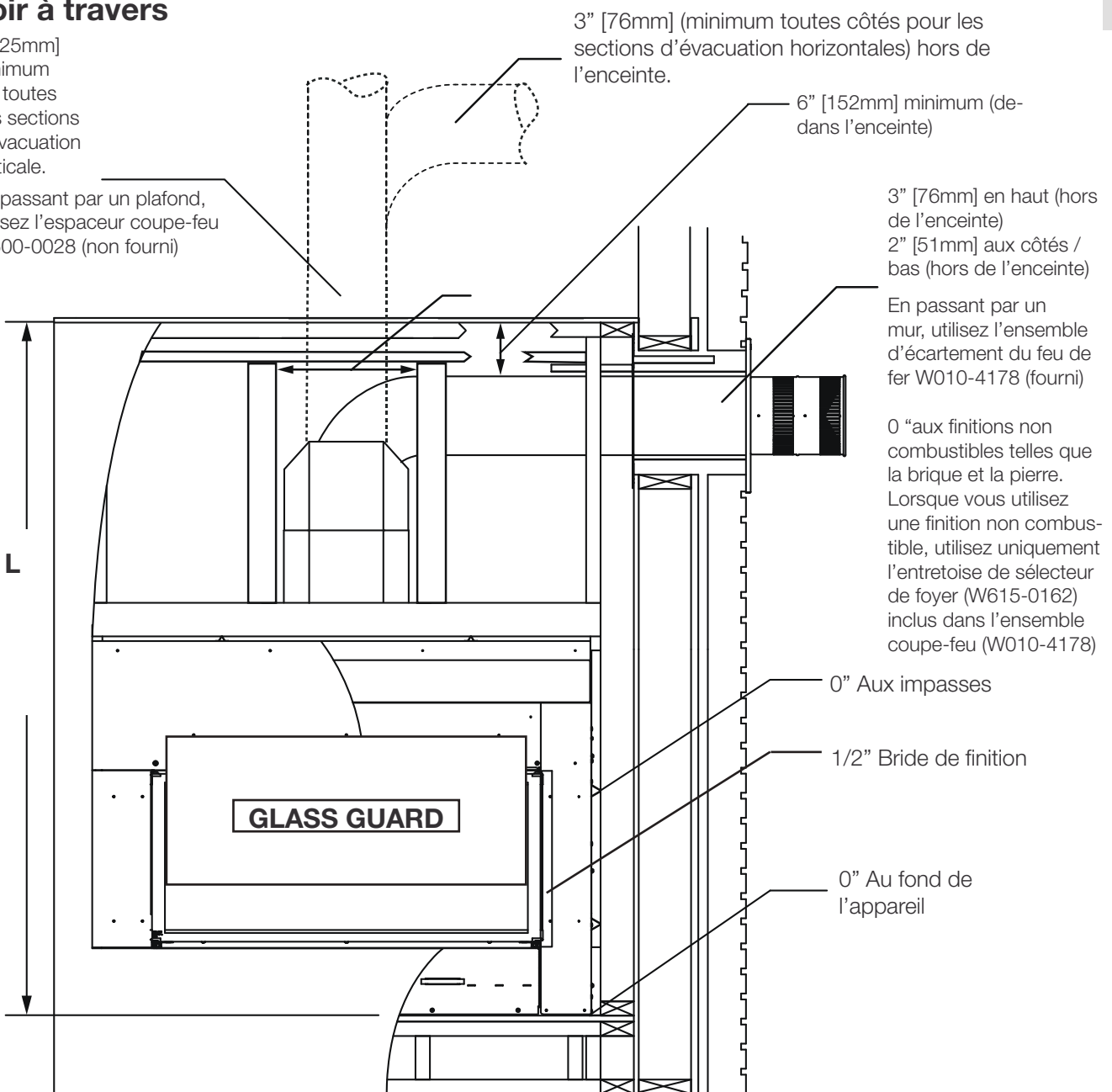
En passant par un mur, utilisez l'ensemble d'écartement du feu de fer W010-4178 (fourni)

0 "aux finitions non combustibles telles que la brique et la pierre. Lorsque vous utilisez une finition non combustible, utilisez uniquement l'entretoise de sélecteur de foyer (W615-0162) inclus dans l'ensemble coupe-feu (W010-4178)

0" Aux impasses

1/2" Bride de finition

0" Au fond de l'appareil



**Sections d'évents horizontales:** Un dégagement minimum aux matériaux combustibles de 3" (76mm) au-dessus hors de l'enceinte et 2" (51mm) sur les côtés et au-dessus hors de l'enceinte toute autour du conduit d'évacuation sur toutes les courses horizontales. Les sections d'évacuation horizontales dans les enceintes doit maintenir un dégagement minimaux de 6" (152mm) au-dessus du conduit d'évacuation.

**Sections d'évents verticales:** Un dégagement minimum aux matériaux combustibles de 1" (25mm) est requis toute autour du conduit d'évacuation sur toutes les courses verticales à l'exception des dégagements à l'intérieur de l'enceinte de l'appareil. Les courses d'évacuation verticales dans les enceintes requis un dégagement minimum de 1" (25mm) autour du conduit d'évacuation.

## dégagements minimum

Ref	LVX38-1	LVX50-1	LVX62-1	LVX74-1
L	73" (185.4cm)		91" (231.1cm)	

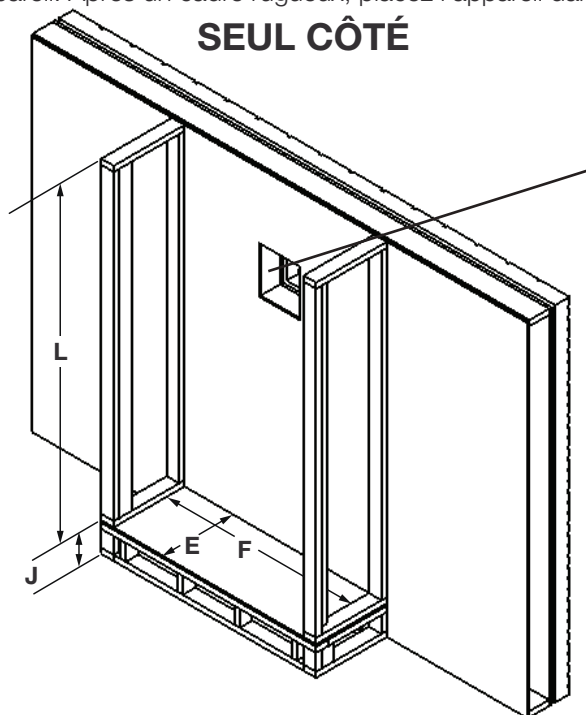
### note:

La séries LVX requis un minimum hauteur d'enceinte, comme illustré (dimension L), mesuré du bas de l'appareil. Pour les exigences de températures, cet espace doit être dégager. Certains configurations qui requis un enceinte plus large pour fournir les dégagements minimaux entre les conduits d'évacuation et les combustibles. Aussi, nous recommandons que l'enceinte soit ventiler en haut et en bas pour circuler l'air chaud.

# encadrement approximatif - avant l'installation de l'appareil

FR

Avant d'encadrer votre appareil, déterminez les exigences d'évent avant de décider de l'emplacement final de l'appareil. Après un cadre rugueux, placez l'appareil dans sa position finale.



Avant d'encadrer l'appareil, assurez-vous d'installer l'espaceur coupe-feu avant.

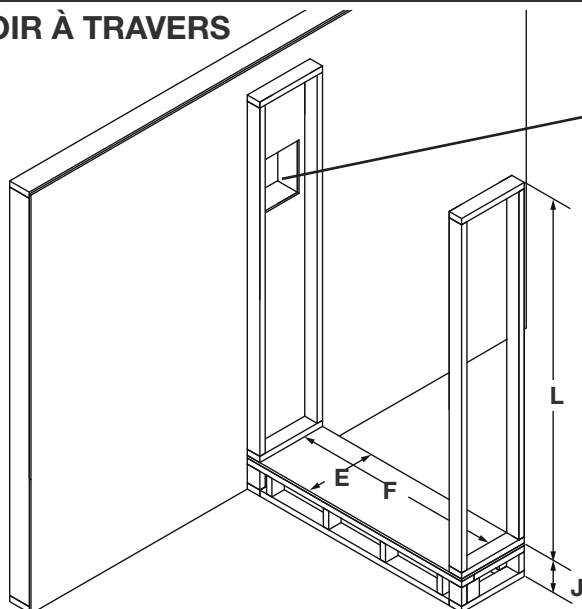
**note:**

La série LVX requies un minimum hauteur d'enceinte, comme illustré (dimension L), mesuré du bas de l'appareil. Pour les exigences de températures, cet espace doit être dégager. Certains configurations qui requies un enceinte plus large pour fournir les dégagements minimaux entre les conduits d'évacuation et les combustibles.

Ref	LVX38-1	LVX50-1	LVX62-1	LVX74-1
E*	18" (45.7cm)			
F	53 13/16" (136.7cm)	65 13/16" (167.2cm)	77 13/16" (197.6cm)	89 13/16" (228.1cm)
J	Optionnel - L'appareil ne doit pas être élevé au-dessus du plancher.			
L	73" (185.4cm)		91" (231.1cm)	

\*Maximum de 21" (53,5cm)

## VOIR À TRAVERS



Avant d'encadrer l'appareil, assurez-vous d'installer l'espaceur coupe-feu avant qu'il ne soit pas adapté entre les goujons si installé après l'encadrement.

**note:**

La série LVX requies un minimum hauteur d'enceinte, comme illustré (dimension L), mesuré du bas de l'appareil. Pour les exigences de températures, cet espace doit être dégager. Certains configurations qui requies un enceinte plus large pour fournir les dégagements minimaux entre les conduits d'évacuation et les combustibles.

Ref	LVX38-1	LVX50-1	LVX62-1	LVX74-1
E*	16 3/16" (41.1cm)			
F	53 13/16" (136.7cm)	65 13/16" (167.2cm)	77 13/16" (197.6cm)	89 13/16" (228.1cm)
J	Optionnel - L'appareil ne doit pas être élevé au-dessus du plancher.			
L	73" (185.4cm)		91" (231.1cm)	

\*Maximum de 21" (53,5cm)

## ! AVERTISSEMENT

- Avant d'effectuer les branchements pour l'alimentation en gaz et électronique, assurez-vous de retirer toute composante non fixée à l'intérieur de la chambre de combustion.
- **Si votre appareil comprend un système de télécommande, assurez-vous que le récepteur est à la position « OFF » avant d'effectuer les branchements pour l'alimentation en gaz et électronique.**
- Afin d'assurer un fonctionnement sécuritaire et adéquat de l'appareil, vous devez observer les instructions d'évacuation à la lettre.
- Tous les joints des conduits doivent être scellés avec du scellant de silicone rouge à haute température RTV (W573-0002) (non fourni) ou du scellant noir à haute température Mill Pac (W573-0007) (non fourni) à l'exception du raccordement du conduit d'évacuation à la buse de l'appareil qui doit être scellé avec le scellant Mill Pac.
- Si vous utilisez des colliers pour tuyau pour raccorder les composants d'évacuation, vous devez aussi installer trois vis pour vous assurer que le raccordement ne défasse pas.
- Ne serrez pas la gaine flexible.
- Risque d'incendie, d'explosion ou d'asphyxie. Si l'ensemble du système de conduit d'évent n'est pas adéquatement soutenu, il risque de fléchir ou de se séparer. Utilisez des supports de conduit et raccordez les sections de conduits selon les instructions d'installation.
- Risque d'incendie. Évitez que l'isolant touche au conduit d'évacuation. Retirez l'isolant pour permettre l'installation de l'écran protecteur du grenier et pour maintenir les dégagements aux matériaux combustibles.
- Ne remplissez pas l'espace entre le conduit d'évent et la charpente avec aucun type de matériau. Ne bourrez pas d'isolant ni de matériaux combustibles entre les espaceurs coupe-feu du plafond. Conservez toujours les dégagements requis autour des conduits d'évent et l'assemblage de l'espaceur coupe-feu. Installez les écrans muraux et les espaceurs coupe-feu tel que spécifié. Si vous ne gardez pas l'isolant ou tout autre matériau à l'écart du conduit d'évent, un risque d'incendie pourrait s'ensuire.
- **Pour les poêles à gaz seulement:** Si l'appareil est installé directement sur un tapis, sur une surface de vinyle, ou tout autre revêtement de plancher combustible autre que le bois, l'appareil devra être monté sur un panneau continu de métal ou de bois se prolongeant sur toute la largeur et la profondeur, sauf indication contraire à l'essai.

Pour des performances optimales, il est recommandé que toutes les courses horizontales aient un minimum d'augmentation de 1/4" (6 mm) par pied en utilisant une ventilation flexible.

### note:

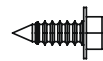
Le bouclier d'évent est télescopique et doit être réglé pour protéger toute la hauteur de l'évent vertical.

Pour l'installation du bouclier d'évent, voir la section « installation du bouclier d'évent ».

Une terminaison à évacuation mécanique permettant de réduire les dégagements est disponible. Contactez votre détaillant autorisé pour plus d'information.

## 6.1 assemblage de l'espaceur coupe-feu

1. Installez les espaceurs sur un côté de l'espaceur coupe-feu (**Figure 1**).
2. Installez un écran protecteur sur le dessus d'une côté de l'espaceur coupe-feu (**Figure 2**).
3. Installez l'autre écran protecteur sur l'autre côté de l'espaceur coupe-feu (**Figure 3**).



Type 1 (x18)

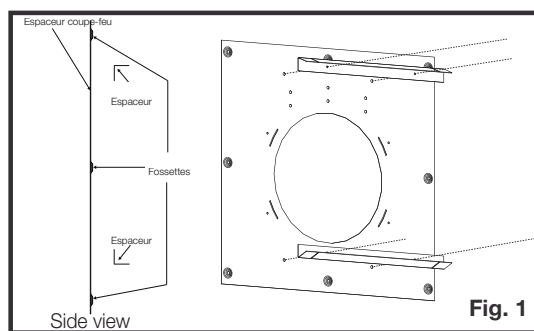


Fig. 1

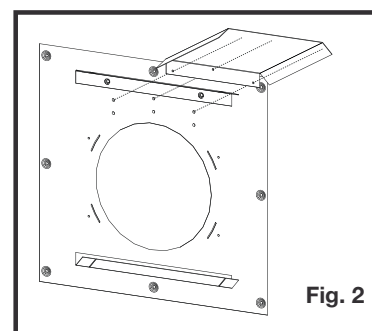


Fig. 2

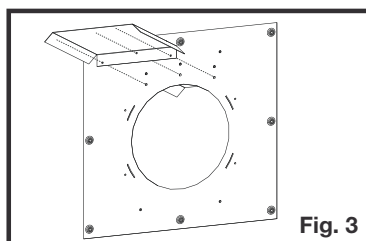
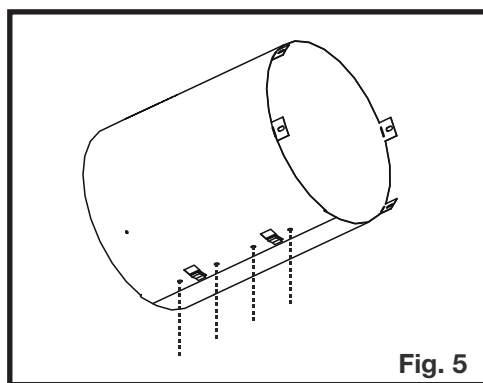
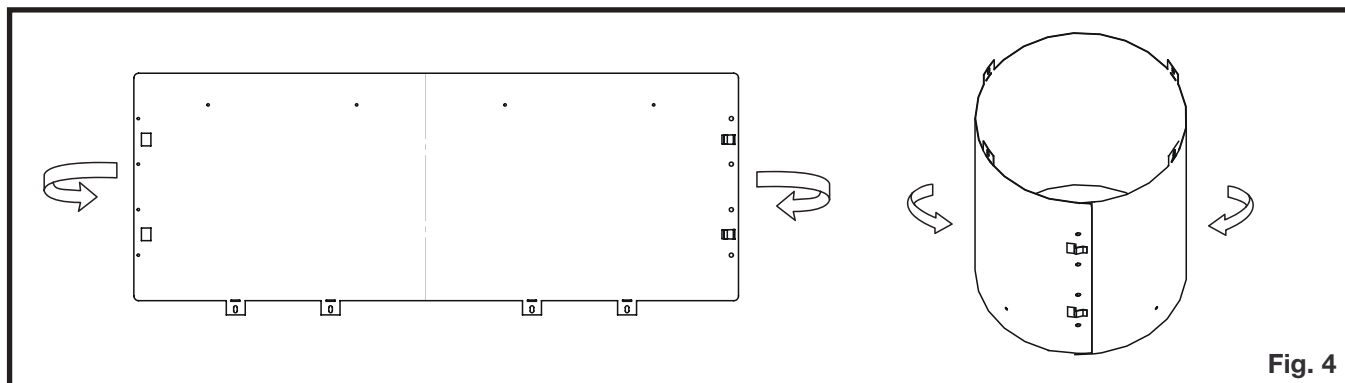


Fig. 3

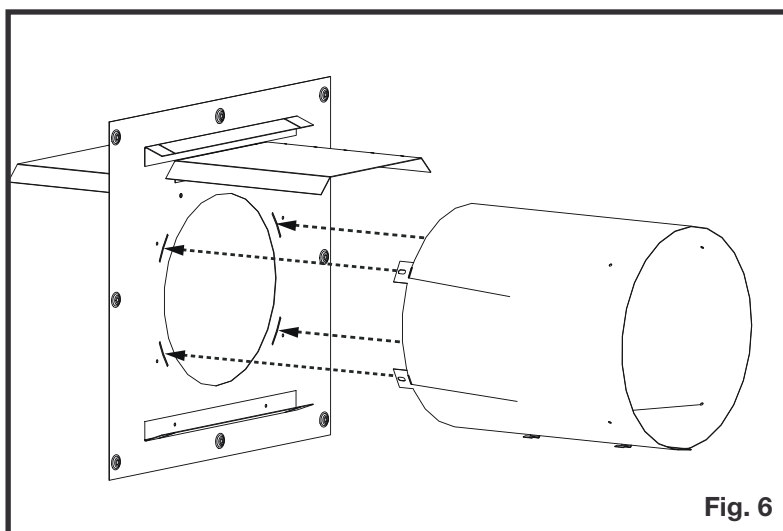
# installation d'évacuation

FR

1. Enlevez la douille d'évent comme illustré et assurez-vous de fixer les extrémités ensemble (**Figure 4**).
2. Assurez-vous que les deux extrémités s'alignent et fixez les extrémités avec des agrafes et des attaches (**Figure 5**).



3. Insérez les languettes des douilles d'évent dans les douilles d'espaceur de feuillard, pliez les languettes de douille d'évacuation et fixez-la à l'entretoise de foyer avec 4 attaches fournies (**Figure 6**).



**note:**

Notez l'orientation des fossettes et les espaceurs.

## 6.2 installation horizontale

### ! AVERTISSEMENT

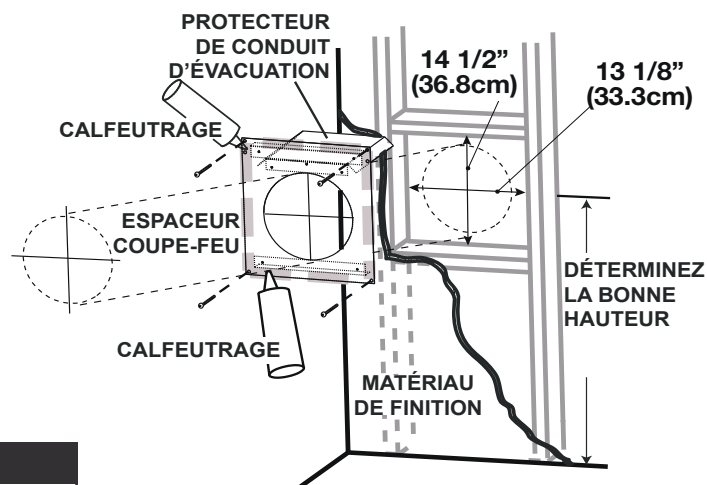
- L'espaceur coupe-feu doit être installé avec l'écran protecteur orienté vers le haut.
- La terminaison ne doit pas être enchâssée dans le mur ou le revêtement extérieur plus que l'épaisseur de la bride de la plaque de montage.

Cette configuration s'applique lorsque le conduit d'évent traverse un mur extérieur. Une fois que vous aurez déterminé la hauteur exacte pour l'emplacement de la terminaison, découpez et charpentez une ouverture dans le mur extérieur, comme illustré, pour permettre l'installation de l'espaceur coupe-feu. Avant de continuer, placez l'espaceur coupe-feu dans l'ouverture pour vous assurer que les supports sur la surface arrière soient placés contre la face intérieure de la pièce charoentre horizontale.

L'écran protecteur peut être taillé pour des murs combustibles qui ont moins de 8 1/2" (215,9mm) de profond, mais doit se prolonger sur toute la profondeur du mur combustible.

#### note:

Ne remplir pas l'espace d'air entre l'espaceur coupe-feu et le mur extérieur avec n'importe quel type de matériaux isolant (e.x., mousse de pulvérisation).



#### note:

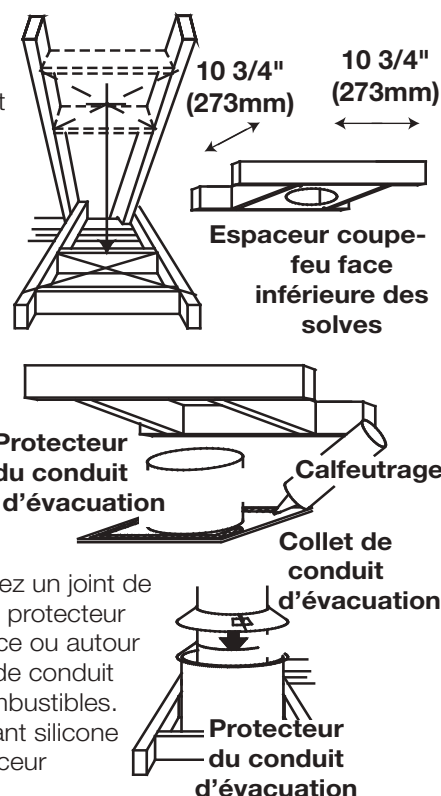
Ce qui précède est uniquement à des fins d'illustration. Les événements ne passent pas toujours par le centre du cadre.

- Appliquez un joint de calfeutrage (non fourni) tout autour de la bordure de la face intérieure de l'espaceur coupe-feu, installez l'espaceur coupe-feu contre le trou et fixez à l'aide des quatre vis.
- Une fois que le conduit d'évent est en place, appliquez du scellant à haute température rouge RTV (W573-0002) (non fourni) entre le conduit d'évent et l'espaceur coupe-feu.

## 6.3 installation verticale

Cette configuration s'applique lorsque l'évacuation se fait à travers un toit. Des ensembles d'installation pour les différentes pentes de toit sont disponibles chez votre détaillant autorisé. Voir la section « accessoires » dans le manuel du propriétaire pour commander l'ensemble spécifique dont vous avez besoin.

- Une fois que vous aurez déterminé l'emplacement de la terminaison, découpez et charpentez une ouverture dans le plafond et le toit pour laisser le dégagement minimal de 1" (25,4mm) entre le conduit d'évent et tout matériau combustible. Essayez de positionner le conduit d'évent à mi-chemin entre deux solives pour ne pas être obligé de les couper. Utilisez du fil à plomb pour aligner le centre des ouvertures. Un protecteur de conduit d'évacuation empêchera tout matériau, tel que l'isolant, de remplir l'espace vide de 1" (25,4mm) autour de l'évent. Fixez des entretoises entre les solives pour assurer un support additionnel.



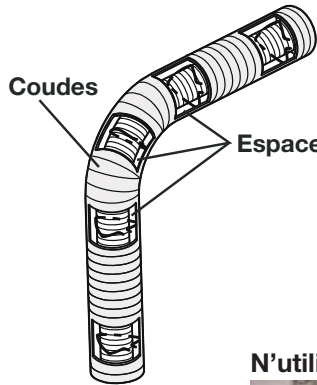
- Appliquez un joint de calfeutrage (non fourni) sur la charpente ou sur le protecteur de conduit d'évacuation Wolf Steel ou l'équivalent (dans le cas d'un plafond fini) et fixez le protecteur de conduit d'évacuation de façon à recouvrir l'ouverture dans le plafond. Un espaceur coupe-feu doit être fixé à la base de chaque ouverture charpentée dans un toit ou un plafond par lequel traverse le système d'évacuation. Appliquez un joint de calfeutrage tout autour et placez un espaceur coupe-feu par-dessus le protecteur de conduit d'évacuation pour empêcher l'arrivée d'air froid dans la pièce ou autour de l'appareil. Assurez-vous que l'espaceur coupe-feu et le protecteur de conduit d'évacuation conservent le dégagement nécessaire aux matériaux combustibles. Une fois que le conduit d'évacuation est en place, appliquez une scellant silicone rouge (W573-0002) (non fourni) entre le conduit d'évacuation et l'espaceur coupe-feu.
- Dans le grenier, faites glisser le collet de conduit d'évacuation vers le bas afin de recouvrir l'extrémité ouverte du protecteur de conduit d'évacuation et serrez. Ceci empêchera tout matériau, tel que l'isolant, de remplir l'espace vide de 1 po (25,4mm) autour de l'évent

# installation d'évacuation

## FR 6.4 utilisation de composants flexibles d'évacuation

### ! AVERTISSEMENT

- Ne laissez pas la gaine flexible se tasser contre les courses horizontales ou verticales et les coudes. Gardez-la tendue.
- Des espaceurs sont fixés à la gaine flexible à intervalles prédéterminés afin de garder un espace vide avec le conduit extérieur. Pour que le fonctionnement soit sécuritaire, un espace vide est requis. Un espaceur est requis au début, au milieu et à la fin de chaque coude afin de maintenir cet espace vide. N'enlevez pas ces espaceurs.



Afin d'assurer une opération sécuritaire et adéquate de l'appareil, vous devez observer les instructions d'évacuation à la lettre.

Le système d'évacuation doit être soutenu à peu près tous les 3 pieds (0,9m) de courses verticales et horizontales. Utilisez l'ensemble de support mural Wolf Steel ou des supports incombustibles équivalents afin de conserver le dégagement minimal aux matériaux combustibles pour les courses verticales et horizontales. Tous les joints des conduits intérieurs et extérieurs peuvent être scellés avec du scellant de silicone rouge à haute température W573-0002 (non fourni) ou du scellant noir à haute température Mill Pac W573-0007 (non fourni) à l'exception du raccordement du conduit d'évacuation à la buse de l'appareil qui doit être scellé avec le scellant Mill Pac.

**N'utilisez que les ensembles certifiés de gaines flexibles portant l'inscription:**



« Wolf Steel Approved Venting » « E2 » comme identifié par les gaines flexibles.

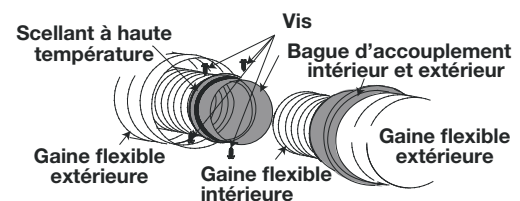
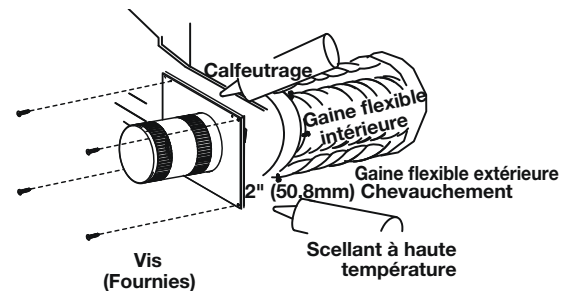
### 6.4.1 installation de la terminaison horizontale

- Étirez la gaine flexible intérieure à la longueur requise en tenant compte de la longueur additionnelle nécessaire pour la surface du mur fini. Appliquez un généreux joint de scellant à haute température Mill Pac (W573-0007) (non fourni). Glissez la gaine flexible sur le manchon intérieur de la terminaison en assurant un chevauchement minimal de 2" (50,8mm) et fixez à l'aide d'une minimum de trois vis.
- Installez la gaine flexible extérieure en la glissant sur le manchon extérieur de la terminaison et fixez à l'aide d'une minimum de trois vis. Scellez avec du scellant à haute température RTV rouge (W573-0002) (non fourni).
- Insérez les gaines dans le coupe-feu tout en conservant le dégagement nécessaire aux matériaux combustibles. En soutenant la terminaison (les inscriptions étant à l'endroit et lisibles), fixez-la au mur extérieur et rendez-la étanche en la scellant avec du calfeutrage (non fourni).
- Si plus de sections de gaine doivent être utilisées pour atteindre l'appareil, raccordez-les ensemble tel qu'illustré. Le système d'évacuation doit être soutenu à environ tous les 3 pieds (0,9m) pour les courses verticales et horizontales. Utilisez des supports incombustibles afin de maintenir le dégagement minimal aux matériaux combustibles.
- Pour les Poêles seulement:** De l'intérieur de la maison, scellez avec du scellant à haute température RTV rouge (W573-0002) (non fourni), entre le conduit d'évent et le coupe-feu. Glissez ensuite le collet de finition noir sur le conduit d'évent jusqu'au coupe-feu.

#### Type 1 (x6)



#### Type 2 (x4)



**Les terminaisons ne doivent pas être enchâssées dans un mur ou un revêtement extérieur plus que l'épaisseur de la bride de la plaque de montage.**



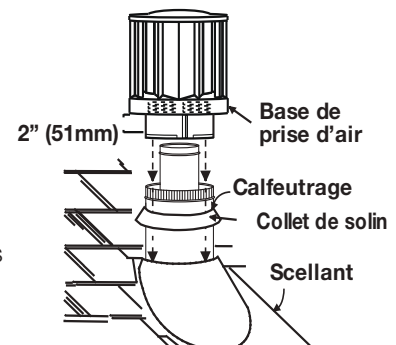
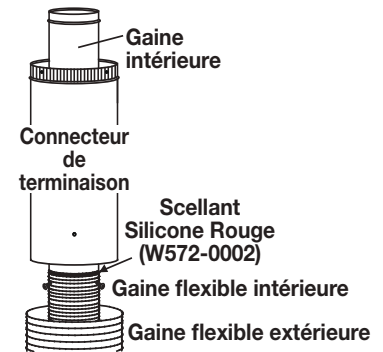
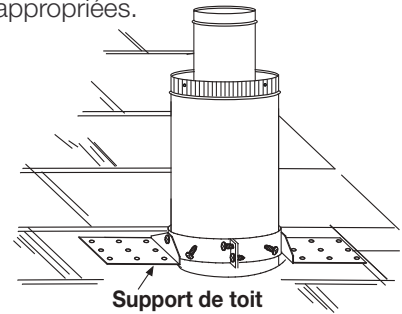
## 6.5 installation de la terminaison verticale

### ! AVERTISSEMENT

- Conservez un espace minimale de 2 po (51mm) entre la base de la prise d'air et le collet de solin.

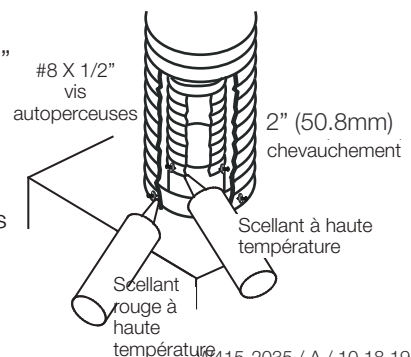
Matériel de fixation fourni avec les ensembles de terminal pour toit et raccord appropriées.

- Fixez le support de toit au toit à l'aide de 6 vis. Le support de toit est optionnel. Dans ce cas, l'évent doit être supporté adéquatement soit en utilisant une méthode alternative se conformant aux normes des autorités compétentes, soit en utilisant le support de toit optionnel.
- Étirez la gaine flexible intérieure à la longueur requise. Glissez la gaine flexible intérieure sur le conduit intérieur du connecteur de terminaison en assurant un chevauchement minimal de 2 po (51mm). Fixez à l'aide d'au moins trois vis, lorsque vous utilisant une évent de 4/7, 5/8 et 3/5 ou une minimum de six vis lorsque vous utilisant une évent de 8/10 ou 8/11. Scellez en appliquant un généreux joint de scellant silicone rouge (W573-0002) (non fourni).
- Répétez avec la gaine flexible extérieure, en appliquant la silicone à haute température rouge (W573-0002) (non fourni) et en utilisant au moins trois vis, lorsque vous utilisant une évent de 4/7, 5/8 et 3/5 ou une minimum de six vis lorsque vous utilisant une évent de 8/10 ou 8/11.
- Faites passer le montage du connecteur de terminaison/gaines flexibles à travers le toit. La terminaison doit être verticale et d'aplomb. Fixez le connecteur de terminaison au support de toit en vous assurant que le dessus de la terminaison excède le côté le plus élevé du toit d'au moins 16" (40,6cm) une fois fixée.
- Enlevez les clous des bardeaux sur le dessus et les côtés du connecteur de terminaison. Placez le solin par-dessus le connecteur de terminaison en laissant un minimum de 3/4" (19,1mm) de connecteur de terminaison visible au-dessus du haut du solin. Glissez le solin sous les côtés et le bord supérieur des bardeaux. Assurez-vous que le connecteur de terminaison est bien centré dans le solin, en laissant une marge de 3/4" (19,1mm) tout autour. Fixez-le au toit. Ne clouez pas à travers la partie inférieure du solin. Imperméabilisez-le en le scellant avec du calfeutrage. Si possible, recouvrez les côtés et le bord supérieur du solin avec des matériaux de couverture.
- Alignez les joints de la terminaison et du connecteur de terminaison et placez la terminaison par-dessus le connecteur de terminaison en vous assurant que le manchon pénètre dans le trou de la terminaison. Fixer avec au moins de trois vis, lorsque vous utilisant une évent de 4/7, 5/8 et 3/5 ou une minimum de six vis lorsque vous utilisant une évent de 8/10 ou 8/11.
- Appliquez un généreux joint de calfeutrage à l'épreuve de l'eau à 2" (51mm) au-dessus du solin. Installez le collet de solin autour de la terminaison et glissez-le jusqu'à la ligne de calfeutrage. Serrez afin d'assurer l'étanchéité entre la terminaison et le collet.
- Si plus de sections de gaine doivent être utilisées pour atteindre l'appareil, voir la section « **installation de la terminaison horizontale** ».



### 6.5.1 raccordement des événements à l'appareil

- Raccordez la gaine flexible intérieure à l'appareil. Fixez-la à l'aide d'au moins trois vis et rondelles lorsque vous utilisant une évent de 3"/5", 4"/7" ou 5"/8" ou une minimum de six vis et rondelles lorsque vous utilisant une évent de 8"/10" ou 8"/11". Scellez le joint et les têtes de vis avec du scellant à haute température W573-0007 (non fourni).
- Fixez-la à l'aide d'au moins trois vis et rondelles lorsque vous utilisant une évent de 3"/5", 4"/7" ou 5"/8" ou une minimum de six vis et rondelles lorsque vous utilisant une évent de 8"/10" ou 8"/11". Fixez et scellez les joints avec du scellant à haute température W573-0002 (non fourni).



# installation d'évacuation

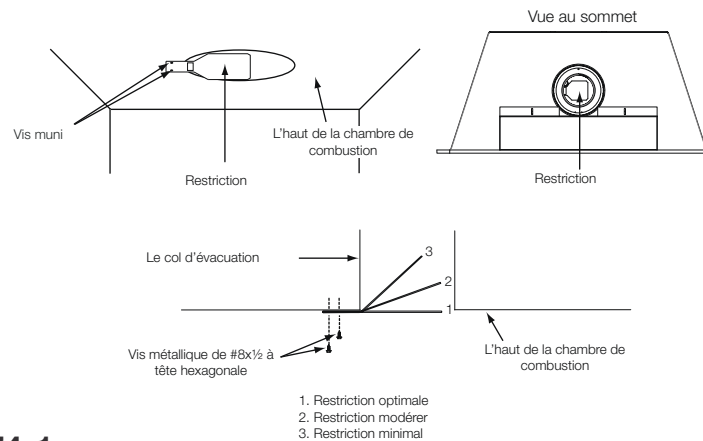
## 6.6 renstreignants d'évents verticaux

Certaines configurations d'évacuation verticales peuvent avoir une flamme très active. Si cette apparence n'est pas désirée, la sortie du conduit d'évacuation peut être réduite en utilisant une plaque de restriction approuvée par Wolf Steel. Cet ensemble n'est pas recommandé pour les courses verticales courtes.

Selon l'année et le modèle de votre appareil, il se peut que celui-ci ne soit pas muni de trous de fixation.

### 6.6.1 LVX38-1 / LVX50-1

- Si l'appareil est muni de trous de fixation, retirez les vis du haut de la chambre de combustion, alignez la plaque de restriction comme illustré, puis fixer.
- Si l'appareil n'est pas muni de trous de fixation, alignez la plaque de restriction comme illustré, puis fixez-la à l'aide des deux vis (fournies).
- Assurez-vous que la plaque puisse pivoter vers le haut dans la sortie de l'évacuation au niveau de la fente.
- Selon la degré de restriction recherché, la plaque de restriction peut demeurer à plat pour une restriction optimale, ou être pliée vers la haut à des degrés de restriction différents.



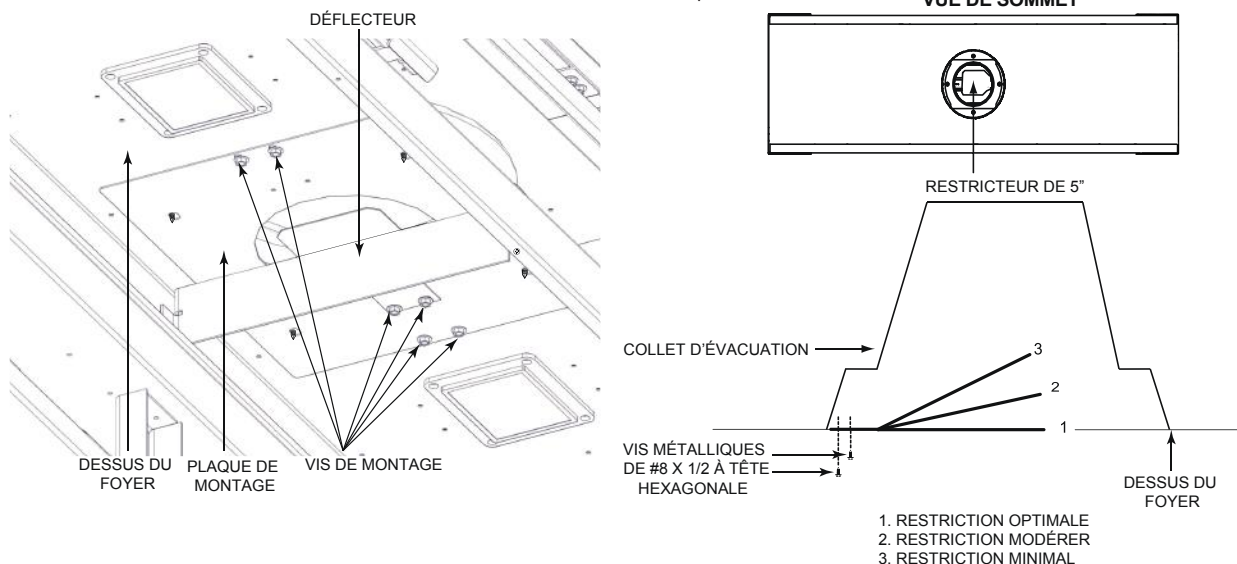
### 6.6.2 LVX62-1 / LVX74-1

- Fixez restricteur de 5" à la plaque de montage à l'aide de les 2 vis (fournies).
- Enlevez le déflecteur en retirant 1 vis du foyer. Mettez le vis et le déflecteur du côté.
- Alignez les trous de dégagements de la plaque de montage (4) au-dessus des vis saillant dedans le chambre de combustion. Pour faciliter l'accès, assurez-vous que le restricteur et la plaque de montage sont installées avec les vis installées à l'Étape A orientées vers le haut (vers le collet d'évacuation).
- Installez 4 vis autoperceuses (fournies) (2 par côté).

#### note:

Pour faciliter l'installation, la plaque de montage est conçu avec 2 trous fixés et 2 trous slottés.

- Réinstallez le déflecteur utilisant un vis enlever dans l'étape B.





## 6.7 installation de bouclage d'évent

### important:

**Pour faciliter l'installation, le cadre supérieur peut être enlevé. Le cadre supérieur doit être réinstaller avant d'installer les pattes de cloutage.**

### note:

Le bouclier d'aération est télescopique et doit être réglé pour protéger les 30 premiers orifices verticaux éventuels.

1. Dévissez les attaches sur l'ensemble de protection de ventilation. Ne pas discarder les fixateurs (Fig. 1).
2. Ajustez le bouclier d'évent à sa verticale maximale (Fig. 2).
3. Utilisez les attaches à l'étape 1 pour maintenir la nouvelle hauteur de bouclage d'évent (Fig. 3).

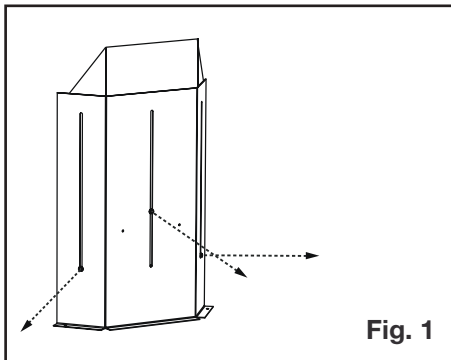


Fig. 1

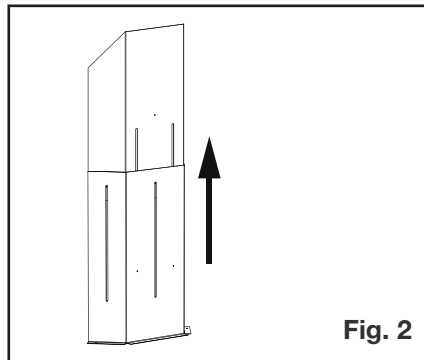


Fig. 2

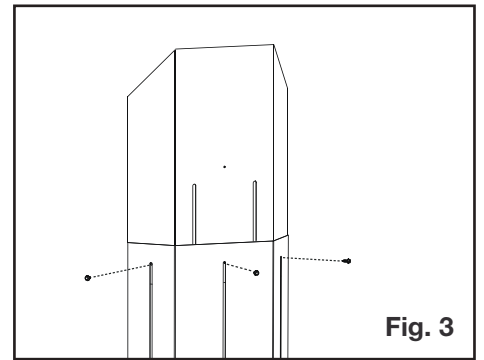


Fig. 3

4. Dévissez les attaches comme indiqué sur la Figure 4. NE PAS DÉBRANCHER LES FIXATIONS
5. Utilisez les attaches à l'étape 4 pour fixer le bouclier d'évent sur l'appareil (Fig. 5).
6. Fixez le bouclier d'aération avec deux attaches (fournies) sur le cadre supérieur avant (Fig. 6).

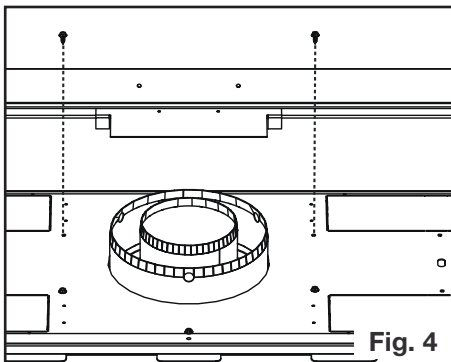


Fig. 4

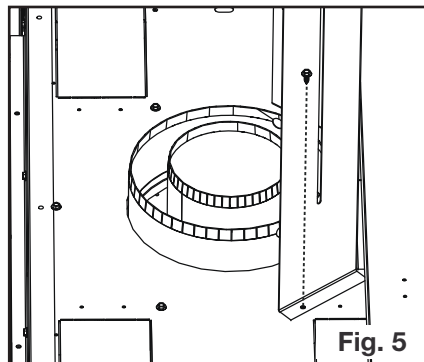


Fig. 5

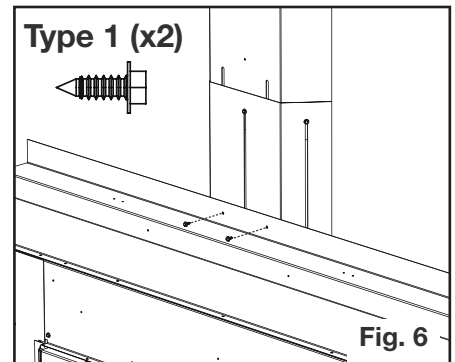
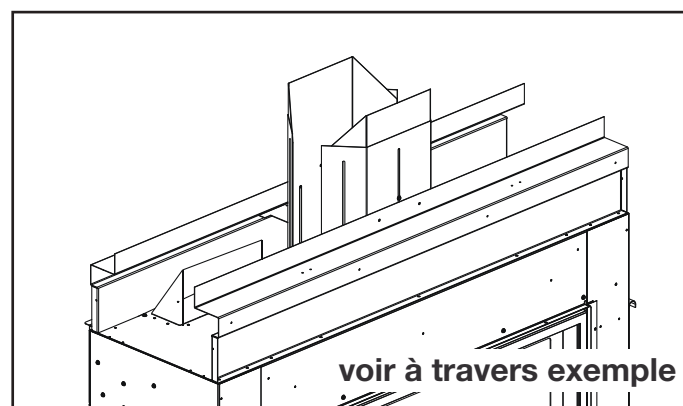


Fig. 6

**POUR VOIR PAR APPAREILS, REPETIR LES ÉTAPES AVEC LE CÔTÉ OPPOSÉ (2 BOUCLERS D'AÉRATION REQUIS)**



voir à travers exemple

## 7.0 information électriques

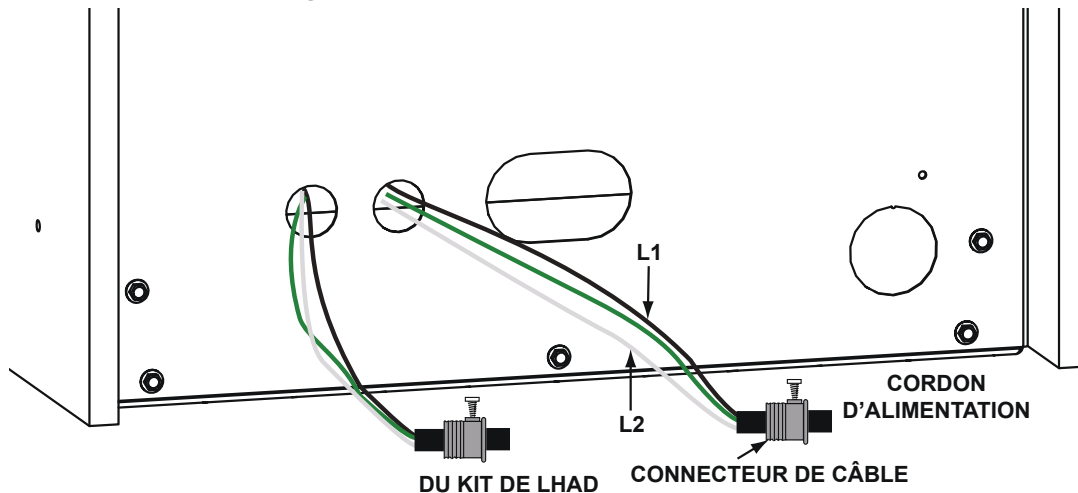
FR

### 7.1 branchement par câble

Vous devez effectuer un branchement par câble avec cet appareil.

Une charpente permanente servant à encastrer l'appareil nécessite un branchement par câble de la boîte de dérivation de l'appareil. Cet appareil doit être raccordé électriquement et mis à la terre conformément aux codes locaux. En l'absence de codes locaux, utilisez la version vourante du Code Canadien d'Électricité CSA C22.1 au Canada ou l'ANSI/NFPA 70-1996 National Electrical Code aux l'États-Unis.

### 7.2 schéma de câblage du réceptacle



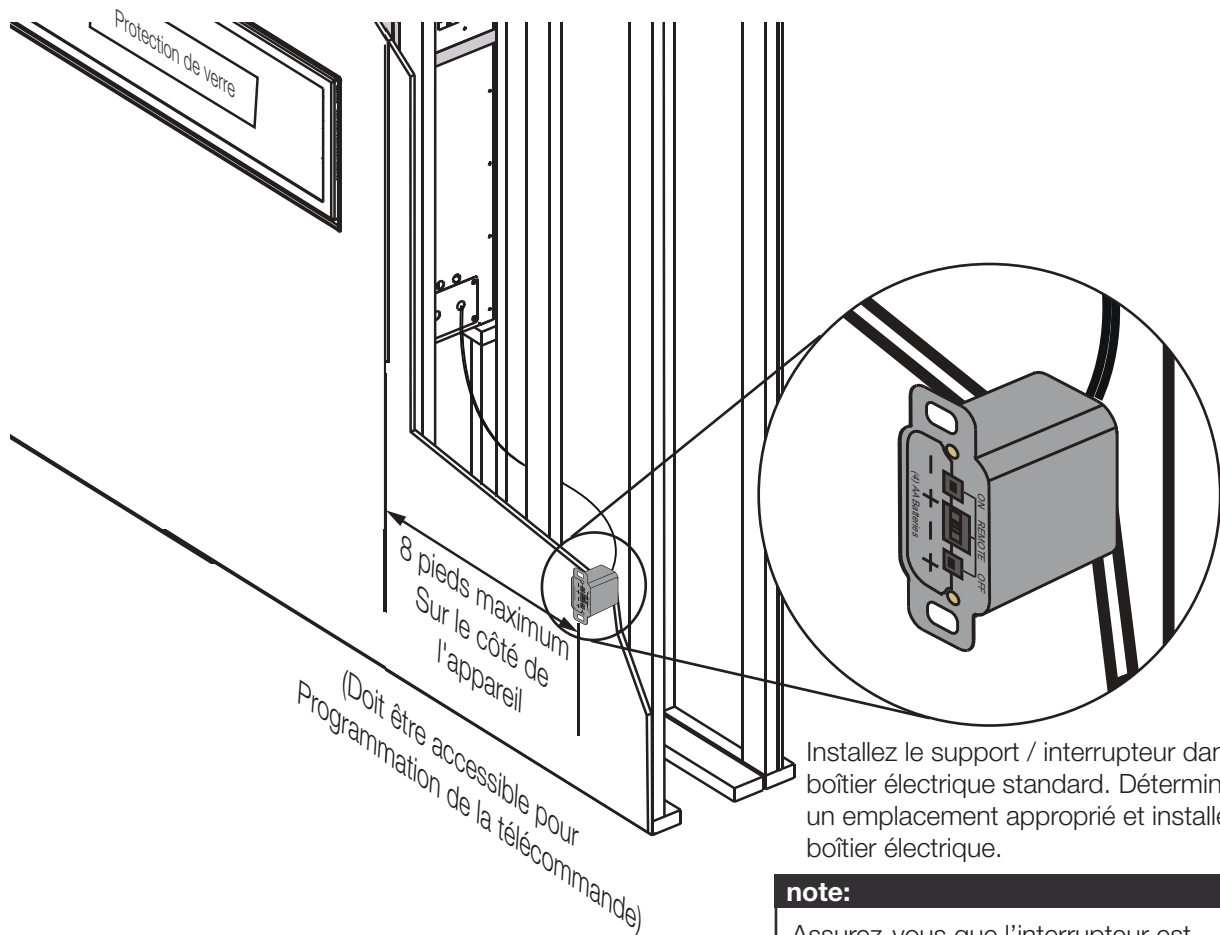
Approchez l'alimentation électrique et le kit LHAD en option à travers le foyer extérieur sur la prise montée au bas de l'appareil. Pour l'installation du kit LHAD en option, reportez-vous à la notice fournie dans le kit.

### 7.3 en cas de panne de courant

Si le support / interrupteur est équipé de piles, il active le contrôle de la hauteur de la flamme ou la fonction ON / OFF pour contrôler le foyer pendant une panne de courant. Reportez-vous à la section "opération" dans le mode d'emploi lorsque les communications entre le support / interrupteur et l'émetteur ont été perdues. Le support / interrupteur émet un son "bip" pour confirmer que la programmation a réussi une fois que l'alimentation a été restaurée. Lors d'une panne de courant, si le foyer était allumé, la hauteur de la flamme restera au réglage avant la panne. Si désactivé lorsque la défaillance se produit et ensuite allumée, la hauteur de la flamme s'allume à "HI". La hauteur de la flamme peut alors être contrôlée par la télécommande.

Dans la plupart des cas, votre appareil fonctionnera avec des fonctions simples disponibles jusqu'à ce que l'alimentation soit restaurée. Tous les autres dispositifs/accessoires électriques ne fonctionneront pas pendant une panne de courant.

### 7.4 installation du Installez le support / interrupteur

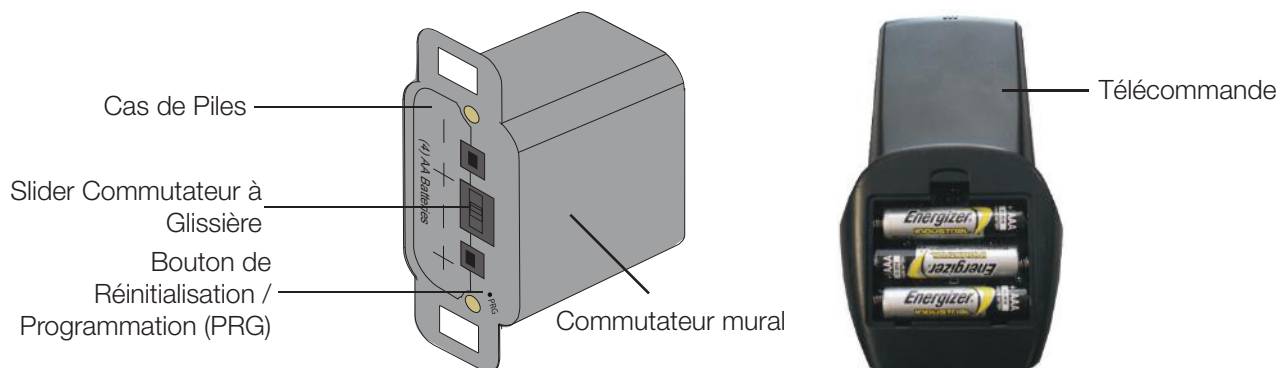


**note:**  
Assurez-vous que l'interrupteur est en position « REMOTE » (milieu).

### 7.5 première initialisation de la télécommande / bloc-piles

**note:**  
La procédure d'initialisation doit être complétée en moins de 10 secondes après que le bouton réinitialisation/ programmation (PRG) ait été appuyé.

- A. Installez les 4 piles « AA » dans le bloc-piles du Proflame 2, notez la polarité des piles puis insérez-les comme indiqué sur le couvercle (+/-).
- B. Assurez-vous que le commutateur à glissière est placé à la position « REMOTE » (position centrale).
- C. Appuyez sur le bouton réinitialisation/programmation, utilisez un objet de petite taille comme un trombone afin d'atteindre le bouton identifié PRG tel qu'illustré ci-dessous.
- D. Le bloc-piles émettra trois bips pour indiquer qu'il est prêt à être synchronisé avec la télécommande.
- E. Installez 3 piles « AAA » dans la télécommande comme illustré ci-dessous, puis appuyez sur le touche « ON ». Le bloc-piles émettra 4 bips pour indiquer que le signal de télécommande est accepté.



### AVERTISSEMENT

- Ne raccordez pas l'interrupteur mural ou la soupape de gaz à l'alimentation électrique (110V).

#### **note:**

Pour votre protection contre les risques de chocs électriques, cet appareil est muni d'une fiche à trois broches et devrait être branché directement dans une prise de courant à trois fentes mise à la terre. Ne couper pas ou retirer la broche de mise à la terre de cette fiche.

## 7.7 application contrôleur eFIRE

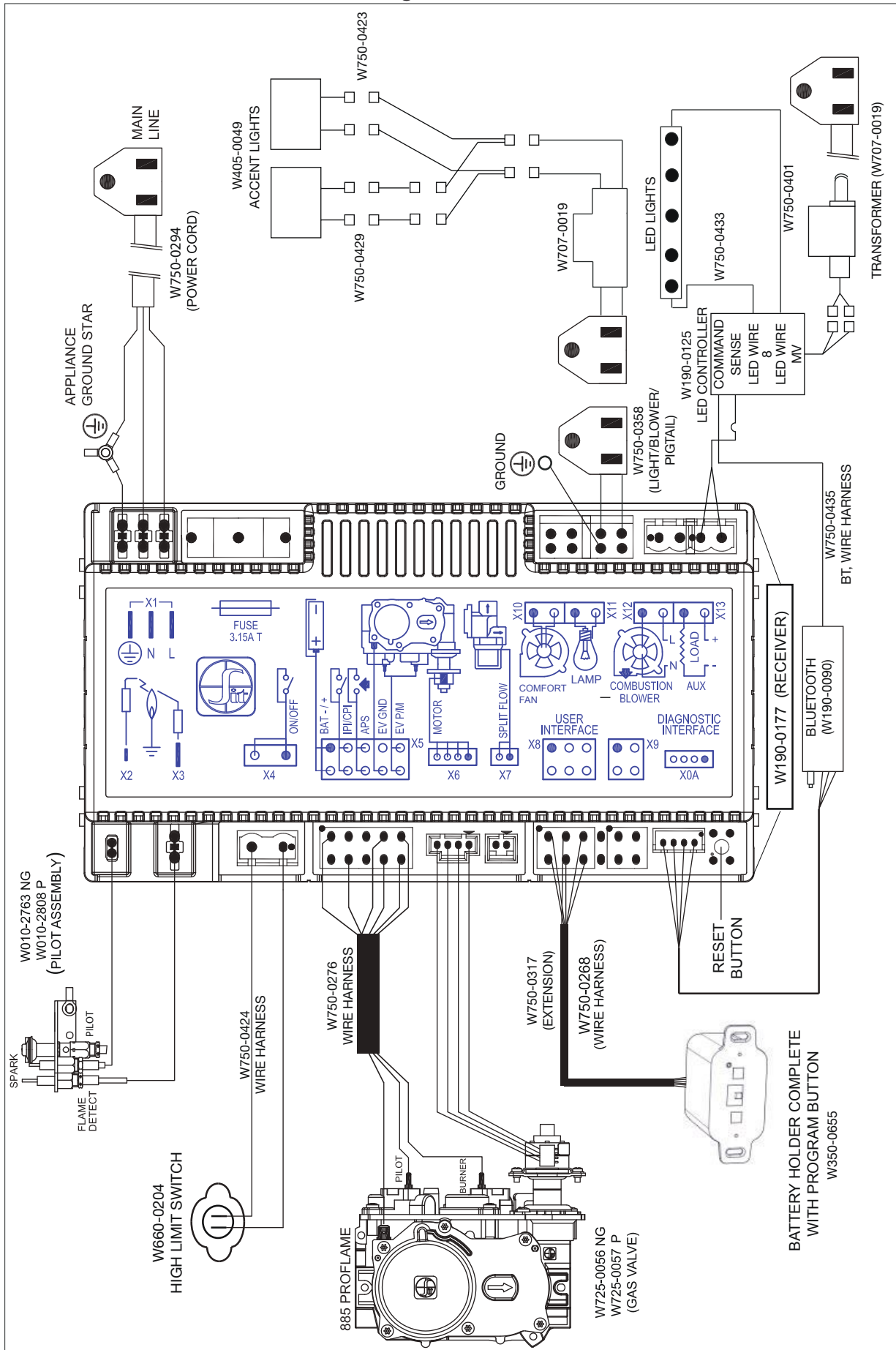
Lorsqu'il est entièrement équipé, l'application eFIRE vous permet de créer toutes les couleurs imaginables, en sélectionnant la façon qui correspond à votre humeur actuelle, ou votre décor avec facilité. L'outil de roue à couleur simple se déplace rapidement dans le spectre de couleurs complet. L'application eFIRE de Napoléon contrôle toutes les fonctions de votre foyer, y compris; marche / arrêt, hauteur de flamme et une minuterie pour créer un programme qui marche pour vous.

En utilisant les instructions sur le site Web de l'application de contrôleur eFIRE <http://napoleon.com/efire>, installez l'application et profitez des fonctionnalités proposées par l'application eFIRE Controller.

#### **note:**

La télécommande est considéré le contrôle pour toutes fonctionnes de l'appareil et peut toujours être utiliser pour éteindre l'appareil (c'est-à-dire, dans l'évent que l'utilisateur qui utilise l'application eFIRE app qui controlait l'appareil a sortie la maison).

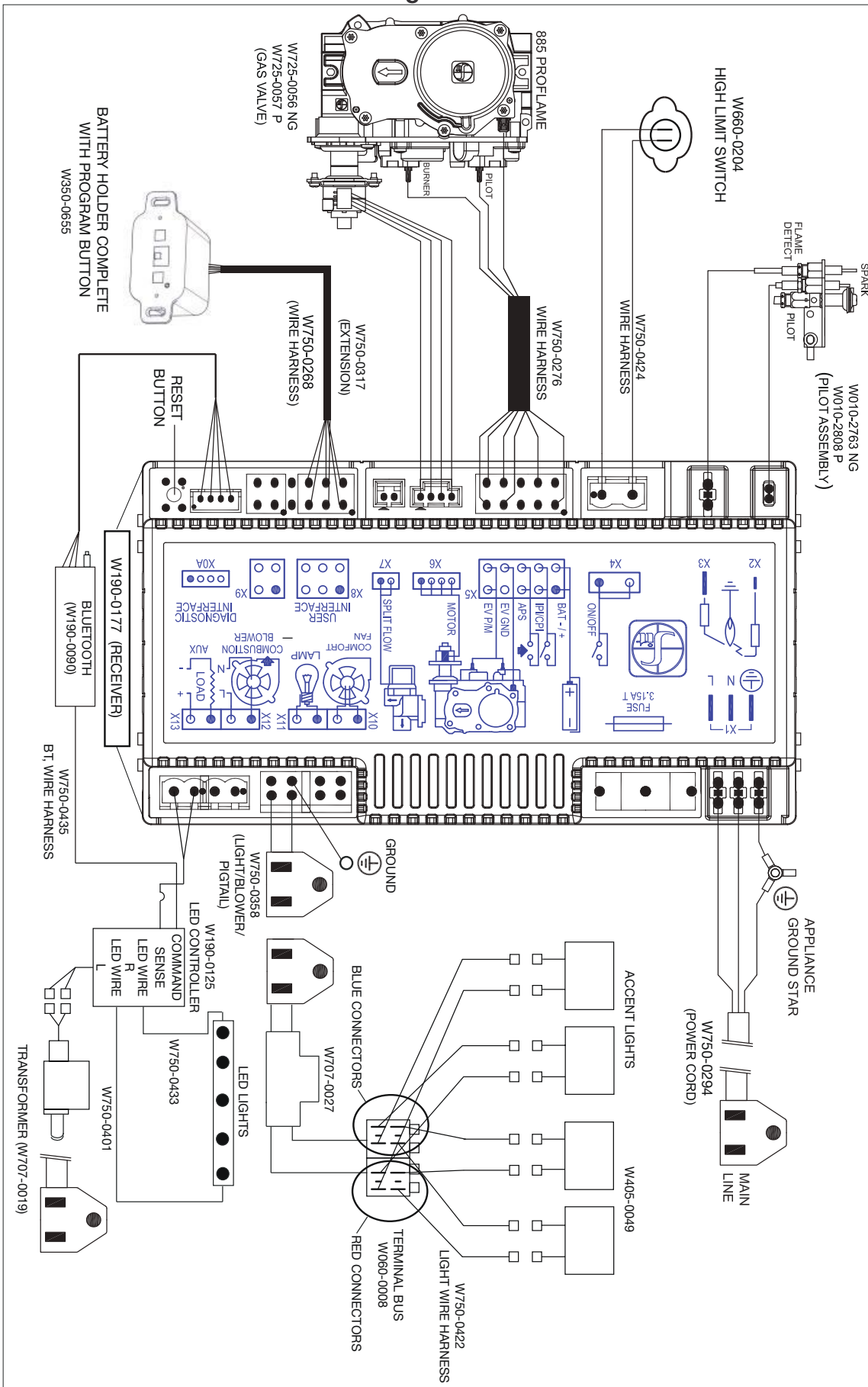
7.7.1 LVX38-1/ LVX50-1 schéma de câblage



# information électriques

FR

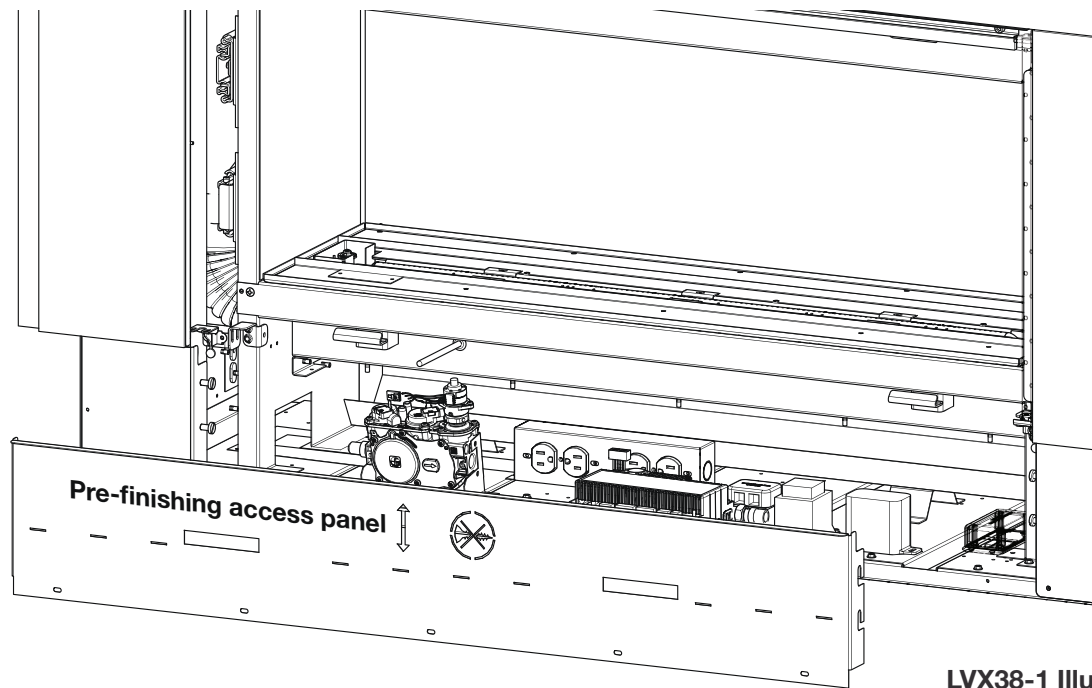
## 7.7.2 LVX62-1/ LVX74-1 schéma de câblage



## 7.8 accès aux contrôles

### **! AVERTISSEMENT**

- N'utilisez pas cet appareil si une partie quelconque a été submergée. Contactez immédiatement un technicien de service qualifié pour inspecter l'appareil pour des dommages au circuit électrique.
- Risque de chocs électriques ou d'explosion. Ne branchez pas le 110 V à la soupape ou à l'interrupteur mural de l'appareil. Un branchement électrique incorrecte endommagera les contrôles.
- Cet appareil doit être raccordé électriquement par un électricien qualifié conformément aux codes locaux. En l'absence de codes locaux, utilisez la version courante du Code Canadien de l'Électricité CSA22.1 ou le National Electrical Code ANSI/NFPA NO. 70 aux États-Unis.
- Allumez toujours la veilleuse, que ce soit pour la première fois ou lorsque l'approvisionnement en gaz est épuisé, avec la porte vitrée ouverte ou retirée.



**LVX38-1 Illustré**

Avant de terminer dans l'appareil, testez l'opération à l'aide de la télécommande, faites-le passer à travers tous ses différents modes, voir la section "opération" dans le manuel du propriétaire. Une fois terminé, l'accès aux composants de commande ne peut être effectué que par l'intérieur de l'appareil.

## 8.0 branchement du gaz

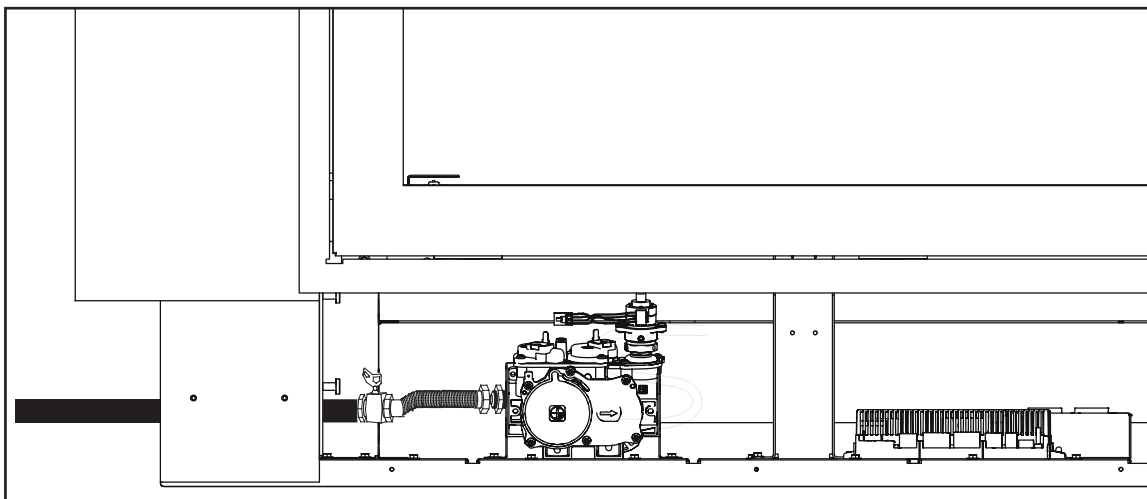
FR

### ! AVERTISSEMENT

- Risque d'incendie, d'explosion, ou d'asphyxie. Assurez-vous qu'il n'y ait aucune source d'allumage comme des étincelles ou une flamme nue.
- Soutenez le contrôle du gaz lorsque vous attachez le tuyau pour éviter de plier la conduite de gaz.
- Allumez toujours la veilleuse, que ce soit pour la première fois ou lorsque l'approvisionnement en gaz est épuisé, avec la porte vitrée ouverte ou retirée. La purge doit être effectuée par un technicien qualifié. Assurez-vous que l'arrivée de gaz au brûleur est continue avant de fermer la porte. Assurez-vous d'une ventilation adéquate pour les emplacements de l'entrée du gaz et de l'entrée électrique, voir la section « dimensions ».
- Lorsque le branchement est terminé, tous les raccords de gaz doivent se trouver à l'intérieur de l'appareil (**foyer de gaz seulement**).
- Les pressions élevées endommageront la soupape. L'alimentation en gaz doit être débranchée pendant les essais de pression de ce système lorsque les pressions d'essai excèdent 1/2 LB/PO<sup>2</sup> (3,5 KPA).
- Les réglages de la soupape ont été faits en usine; ne les modifiez pas.

#### L'installation et l'entretien doivent être effectuées par un installateur qualifié.

- Mettez l'appareil en place et fixez-le.
- Si l'appareil est muni d'un raccord flexible, celui-ci est conçu pour recevoir une conduite de gaz de 1/2" (13mm). Sans raccord flexible, l'appareil est conçu pour recevoir une conduite de gaz de 3/8" (9,5mm). L'appareil est muni d'une soupape d'arrêt manuelle pour fermer l'alimentation en gaz.
- Branchez le gaz en conformité avec les codes locaux. En l'absence de codes locaux, l'installation doit être conforme au Code d'installation du gaz CAN/CSA-B149.1 dans sa version pour le Canada ou le National Fuel Gas Code, ANSI Z223.1 / NFPA 54 pour les États-Unis.
- Lorsque vous manipulez des conduites de gaz, soutenez la soupape de gaz pour éviter que les conduites ne se plient.
- Le raccord flexible de l'alimentation en gaz devrait être suffisamment mobile pour permettre de placer l'assemblage de brûleur sur le côté pour aider avec l'entretien des composants.
- Vérifiez pour des fuites de gaz en appliquant une solution d'eau savonneuse. **N'utilisez jamais une flamme nue.**



#### note:

Branchez l'alimentation en gaz à la soupape d'arrêt de 1/2" (13mm) et au raccord flexible (fourni). Assurez-vous que le conduit d'alimentation en gaz est bien fixé.

Après avoir installé le câblage électrique et les conduites de gaz, assurez-vous de tester l'appareil avant de finir l'encadrement et la finition de l'appareil.

Avant de terminer le test de l'appareil, utilisez la télécommande, en le faisant circuler dans tous ses modes, voir la section "opération" dans le mode d'emploi. Si le dépannage est nécessaire, l'accès aux commandes peut être effectué via le panneau d'accès de pré-finition.



## ! AVERTISSEMENT

- Si ces instructions ne sont pas suivies à la lettre, un incendie ou une explosion pourraient s'ensuivre, causant des dommages matériels, des blessures corporelles ou des pertes de vie.
- Si applicable, allumez toujours la veilleuse, que ce soit pour la première fois ou lorsque l'approvisionnement en gaz est épuisé, avec la porte vitrée ouverte ou retirée.

Assurez-vous que l'arrivée de gaz au brûleur est continue avant d'installer la porte. Lorsqu'il est allumé pour la première fois, l'appareil dégagera une légère odeur pendant quelques heures. Cela est une condition normale temporaire causée par le conditionnement des bûches et l'évaporation des peintures et lubrifiants internes utilisés dans le processus de fabrication; elle ne se reproduira plus. Après de longues périodes sans utiliser l'appareil, comme à la suite de vacances ou à la fin de l'été, il se peut qu'une légère odeur se dégage pendant quelques heures. Ceci est causé par des particules de poussière brûlant dans l'échangeur de chaleur. Dans les deux cas, ouvrez une fenêtre pour aérer la pièce.

### POUR VOTRE SÉCURITÉ, LISTEZ CE QUI SUIV AVANT D'ALLUMER L'APPAREIL:

- Ne pas allumer si des enfants ou d'autres individus à risque sont à proximité de la veilleuse.
- Cet appareil est équipé d'un dispositif d'allumage qui allume automatiquement la veilleuse. N'essayez pas de l'allumer manuellement.
- Avant d'allumer, sentez autour de l'appareil et près du plancher afin de vous assurer qu'il n'y a pas de fuite de gaz. Certains gaz sont plus lourds que l'air et se déposeront au niveau du plancher.
- N'utilisez pas cet appareil si une partie quelconque a été submergée. Contactez immédiatement un technicien qualifié pour l'inspecter et pour remplacer toute pièce du système de contrôle et du contrôle du gaz qui aurait été submergée.

### QUE FAIRE SI VOUS DÉTECTEZ UNE ODEUR DE GAZ

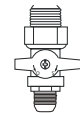
- Coupez l'alimentation en gaz à l'appareil.
- Ouvrez les fenêtres.
- N'allumez aucun appareil.
- Ne touchez à aucun interrupteur électrique; n'utilisez aucun téléphone dans votre immeuble.
- De la maison d'un voisin, appelez immédiatement votre fournisseur de gaz et suivez ses instructions.
- Si vous ne pouvez pas rejoindre votre fournisseur de gaz, appelez le service des incendies.

## INSTRUCTIONS D'ALLUMAGE

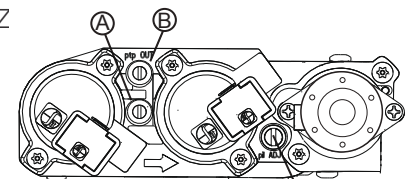
### note:

Cet appareil est équipé d'un dispositif d'allumage qui s'allume automatiquement la veilleuse. N'essayez pas de l'allumer manuellement.

- Arrêtez! Lisez les consignes de sécurité ci-dessus.
- Enlevez tous les piles de la télécommande et régler le thermostat au réglage minimum, si équipé.
- Coupez l'alimentation électrique à l'appareil.
- Ouvrir la porte de l'appareil, si équipé.
- Tournez le bouton de contrôle du gaz vers la droite à « OFF ». (Elle est situé sur le connecteur flexible).
- Attendez cinq (5) minutes pour que le gaz puisse s'échapper. Si vous détectez une odeur de gaz, incluant au niveau du plancher, **ARRÊTEZ!** et suivez les instructions ci-dessus « QUE FAIRE SI VOUS DÉTECTEZ UNE ODEUR DE GAZ ». Continuez à l'étape suivante si vous ne sentez pas de gaz.
- Tournez le soupape fermeture manuelle vers la gauche à « ON ».
- Rétablissez l'alimentation électrique à l'appareil et installez les piles dans le télécommande, si équipé. Régler le thermostat à la position désirée, si équipé.
- Tournez l'interrupteur murale de l'appareil à la position « ON ».
- Si l'appareil ne fonctionne pas, suivre les instructions de « couper l'alimentation d... gaz » et puis appelez votre technicien de service ou fournisseur de gaz.



Arrêt manuel (affiché en position arrêt)



VIS DE LA VEILLEUSE

### COUPEZ L'ALIMENTATION DE GAZ

- Régler le thermostat à la réglage le plus bas, si équipé.
- Tournez l'interrupteur murale de l'appareil à la position « OFF ».
- Coupez l'alimentation électrique à l'appareil si un travail d'entretien doit être faites.
- Tournez le soupape fermeture manuelle vers la gauche « OFF ». Ne forcez pas.

## 9.1 veilleuse sur demande

Cet appareil est équipé d'un système de veilleuse à allumage intermittent (IPI) « Sur demande » qui comprend également un mode de veilleuse permanente (CPI) avec une minuterie intégrée de sept jours. Ce système minimise l'empreinte carbone de votre appareil et réduit sa consommation annuelle de combustible ainsi que son coût de fonctionnement.

En mode intermittent (IPI), la veilleuse s'allume avant le brûleur principal, lorsque l'appareil est allumé à l'aide d'un interrupteur, d'une télécommande ou d'un appel de chaleur par le thermostat (s'il y a lieu). Une fois l'appareil éteint (ou l'appel de chaleur satisfait), le brûleur principal et la veilleuse s'éteignent.

Le mode continu (CPI) est destiné à améliorer les performances de l'appareil pendant la phase d'allumage dans des climats plus froids et par temps extrême en maintenant le système au chaud lorsque le brûleur principal n'est pas allumé. Cependant, la fonction de minuterie permet d'éteindre automatiquement la veilleuse lorsque l'appareil n'est pas utilisé pendant sept jours afin de réduire la consommation de combustible.

Lorsque le mode continu (CPI) est activé, la veilleuse reste allumée après que le brûleur principal soit éteint. Une minuterie commencera alors le décompte pendant environ sept jours avant d'éteindre la veilleuse si l'appareil n'est pas utilisé. Ce décompte se réinitialisera chaque fois que le brûleur principal de l'appareil sera allumé. Par conséquent, si l'appareil est utilisé régulièrement sur une base journalière, la veilleuse restera allumée. Ce système ne requiert donc pas que l'utilisateur se souvienne d'éteindre la veilleuse à l'approche de l'été, évitant de consommer inutilement du combustible tout en demeurant prêt à être rallumé lorsque le temps froid est de retour.

Votre appareil peut être équipé d'un interrupteur anticondensation ACS ou d'une télécommande qui vous permet de sélectionner les modes IPI ou CPI.

Si votre appareil est équipé d'un interrupteur ACS, il offre la possibilité de changer de mode. Si l'interrupteur est installé avec le fil bleu orienté vers le haut, basculer l'interrupteur vers le HAUT activera la veilleuse permanente avec la minuterie tandis que basculer l'interrupteur vers le BAS activera le mode d'allumage intermittent de la veilleuse. Si l'interrupteur est installé avec le fil blanc orienté vers le haut, c'est l'inverse qui se produit.

Si votre appareil est pourvu d'une télécommande qui vous permet de sélectionner les modes IPI ou CPI, reportez-vous aux instructions de fonctionnement de la télécommande.

Pour démarrer la veilleuse, en allumant le brûleur principal à l'aide de l'interrupteur, de la télécommande ou du thermostat, et ensuite en l'éteignant, réactivera le mode veilleuse permanente et réinitialisera la minuterie de sept jours.

Pour plus d'informations, consultez le site [www.napoleon.com/pilotondemand](http://www.napoleon.com/pilotondemand).

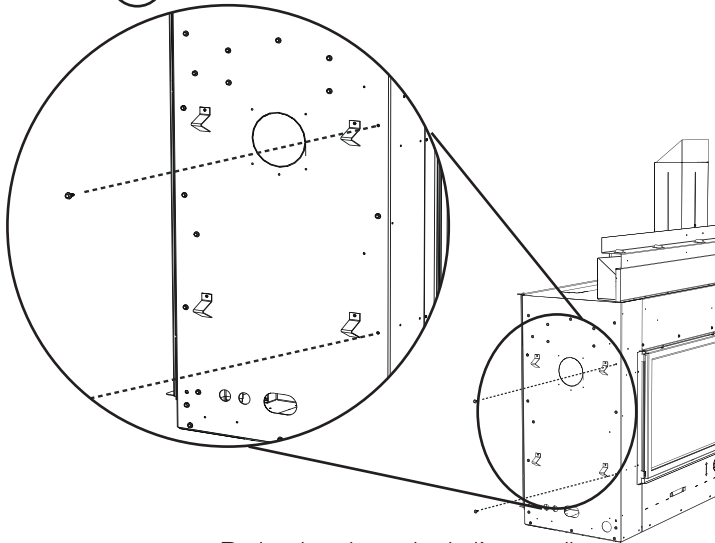


# 10.0 installation des pattes de cloutage

## important:

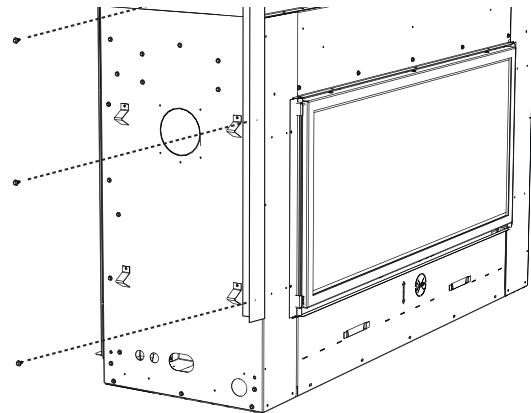
Si le cadre supérieure a été enlever, il doit être réinstaller avant d'installer les pattes de cloutages.

1



Retirer les deux vis de l'appareil.  
**Ne jetez pas.**

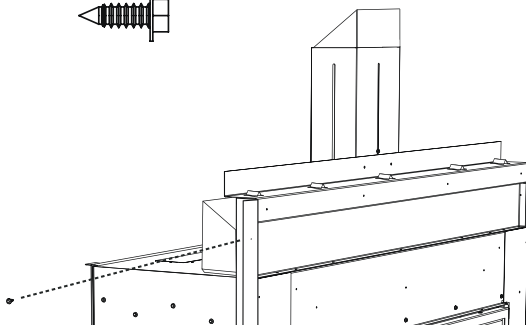
2



Alignez les pattes de cloutage avec les trous de l'appareil, fixez avec les deux vis d'étape 1.

3

Type 1 (x2)



UTILISEZ LES VIS FOURNIES POUR FINIR DE FIXER LES PATTES DE CLOUAGE SUR LE CADRE AVANT.

Pour installer les pattes de cloutage pour les appareils de voir à travers, répétez ces étapes sur l'autre côté.

## note:

Voir les section « évacuation », « information électriques » et « branchement du gaz » avant d'encadrement fini.

# 11.0 encadrement fini

FR

## 11.1 encadrement avec DHC<sup>MD</sup>

**note:**

L'appareil peut être construit avec un encadrement et une finition combustibles, sauf indication contraire.

Il existe différents types d'options d'ouverture de ventilation. Reportez-vous aux sections « Dynamic Heat Control<sup>MD</sup> » et « planification d'installation ».

L'appareil doit être installer à ce stade d'encadrement. L'appareil n'est pas montré pour faciliter l'illustration pour finir l'encadrement.

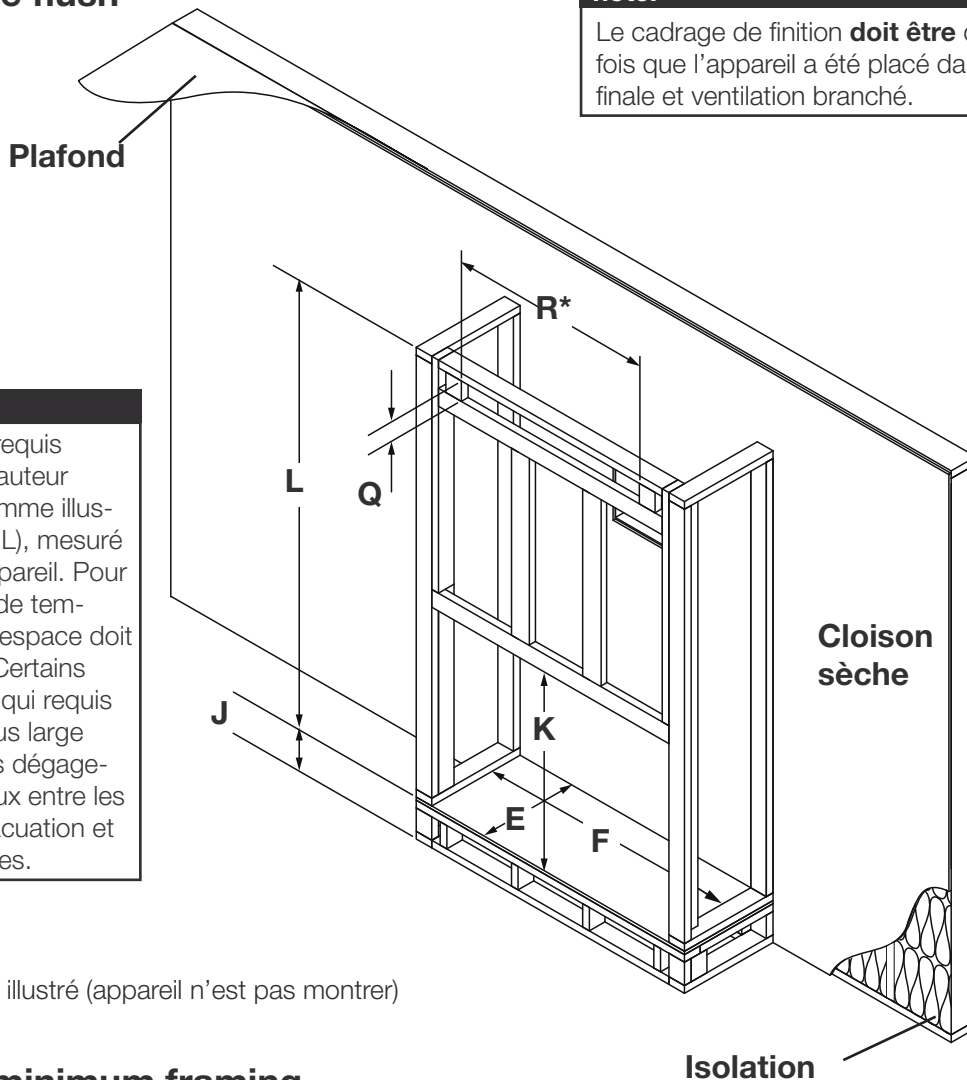
### un côté flush

**note:**

Le cadrage de finition **doit être** construit une fois que l'appareil a été placé dans sa position finale et ventilation branché.

**note:**

La séries LVX requis un minimum hauteur d'enceinte, comme illustré (dimension L), mesuré du bas de l'appareil. Pour les exigences de températures, cet espace doit être dégager. Certains configurations qui requis un enceinte plus large pour fournir les dégagements minimaux entre les conduits d'évacuation et les combustibles.



Option 2 illustré (appareil n'est pas montrer)

### minimum framing

Ref	LVX38-1	LVX50-1	LVX62-1	LVX74-1
K	39 15/16" (101.4cm)			
E**	18" (45.7cm)			
F	53 13/16" (136.7cm)	65 13/16" (167.2cm)	77 13/16" (197.6cm)	89 13/16" (228.1cm)
J	Optionnel - L'appareil ne doit pas être élevé au-dessus du plancher.			
L	73" (185.4cm)		91" (231.1cm)	
Q*	2" min et 3" max			
(Q x R)*	80 sq. in.		160 sq. in.	

\* SEULEMENT APPLICABLE AUX OPTIONS 2 ET 3 - L'ouverture doit être centrée dans l'enceinte de l'appareil. Les dimensions représentent les tailles finies et, le cas échéant, doivent être ajustées pour inclure l'épaisseur du matériau de finition.

\*\*Max. 21" (53.5cm).

un côté encastré

**! AVERTISSEMENT**

- Les composants ombragés (cadrage de finition) **doivent être** des matériaux incombustibles.

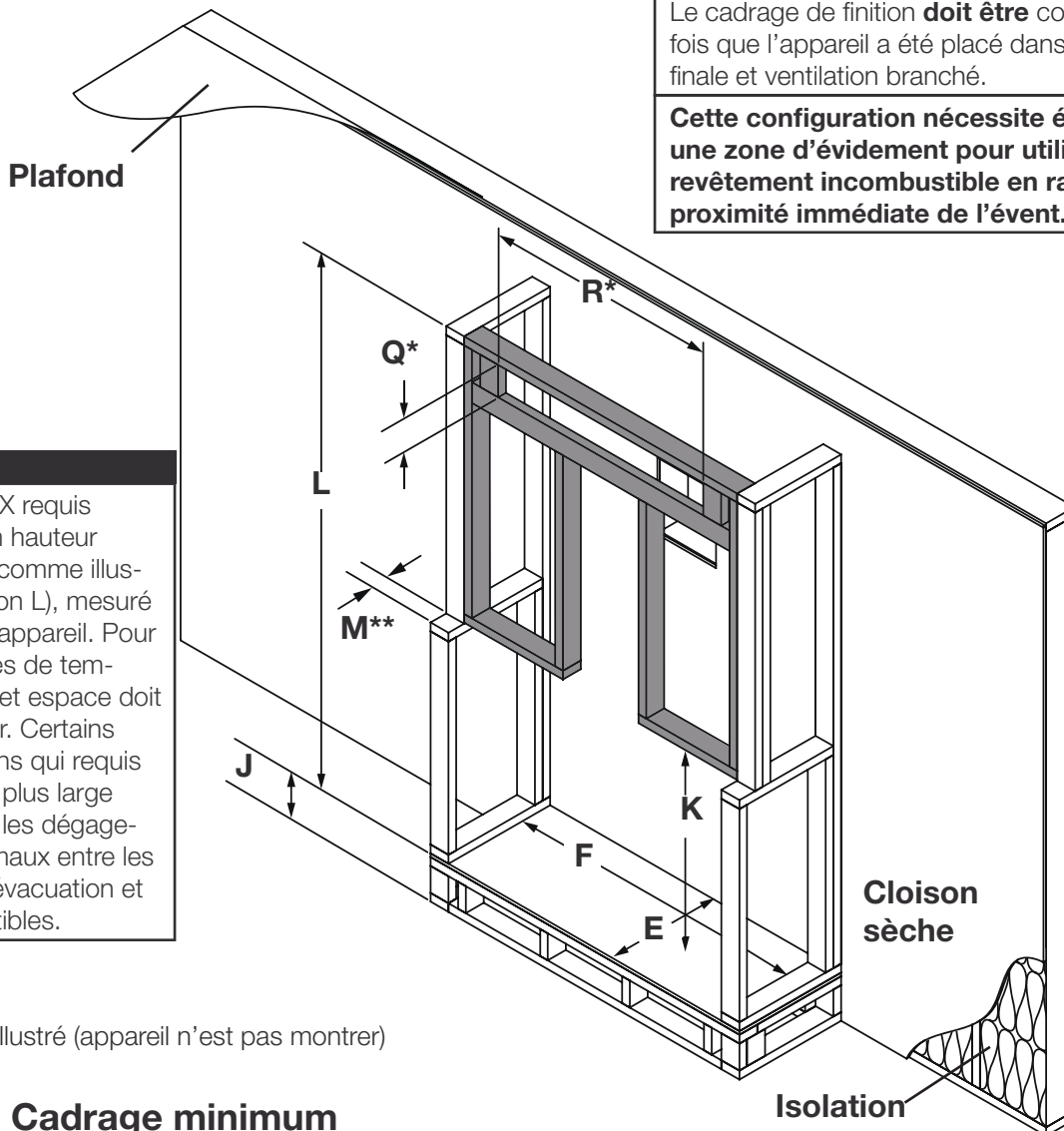
**note:**

Le cadrage de finition **doit être** construit une fois que l'appareil a été placé dans sa position finale et ventilation branché.

**Cette configuration nécessite également une zone d'évidement pour utiliser un revêtement incombustible en raison de la proximité immédiate de l'évent.**

**note:**

La série LVX requies un minimum hauteur d'enceinte, comme illustré (dimension L), mesuré du bas de l'appareil. Pour les exigences de températures, cet espace doit être dégager. Certains configurations qui requies un enceinte plus large pour fournir les dégagements minimaux entre les conduits d'évacuation et les combustibles.



Option 2 illustré (appareil n'est pas monter)

**Cadrage minimum**

Ref	LVX38-1	LVX50-1	LVX62-1	LVX74-1
K	39 15/16" (101.4cm)			
E***	18" (45.7cm)			
F	53 13/16" (136.7cm)	65 13/16" (167.2cm)	77 13/16" (197.6cm)	89 13/16" (228.1cm)
J	Optionnel - L'appareil ne doit pas être élevé au-dessus du plancher.			
L	73" (185.4cm)		91" (231.1cm)	
Q	2" min ET 3" max			
(Q x R)*	80 sq. in.		160 sq. in.	
M**	3" (76mm)			

\* SEULEMENT APPLICABLE AUX OPTIONS 2 ET 3 - L'ouverture **doit être** centrée dans l'enceinte de l'appareil. Les dimensions représentent les tailles finies et, le cas échéant, doivent être ajustées pour inclure l'épaisseur du matériau de finition.

\*\* On ne peut augmenter que 4 "max en construisant une saillie.

\*\*Max. 21" (53.5cm).

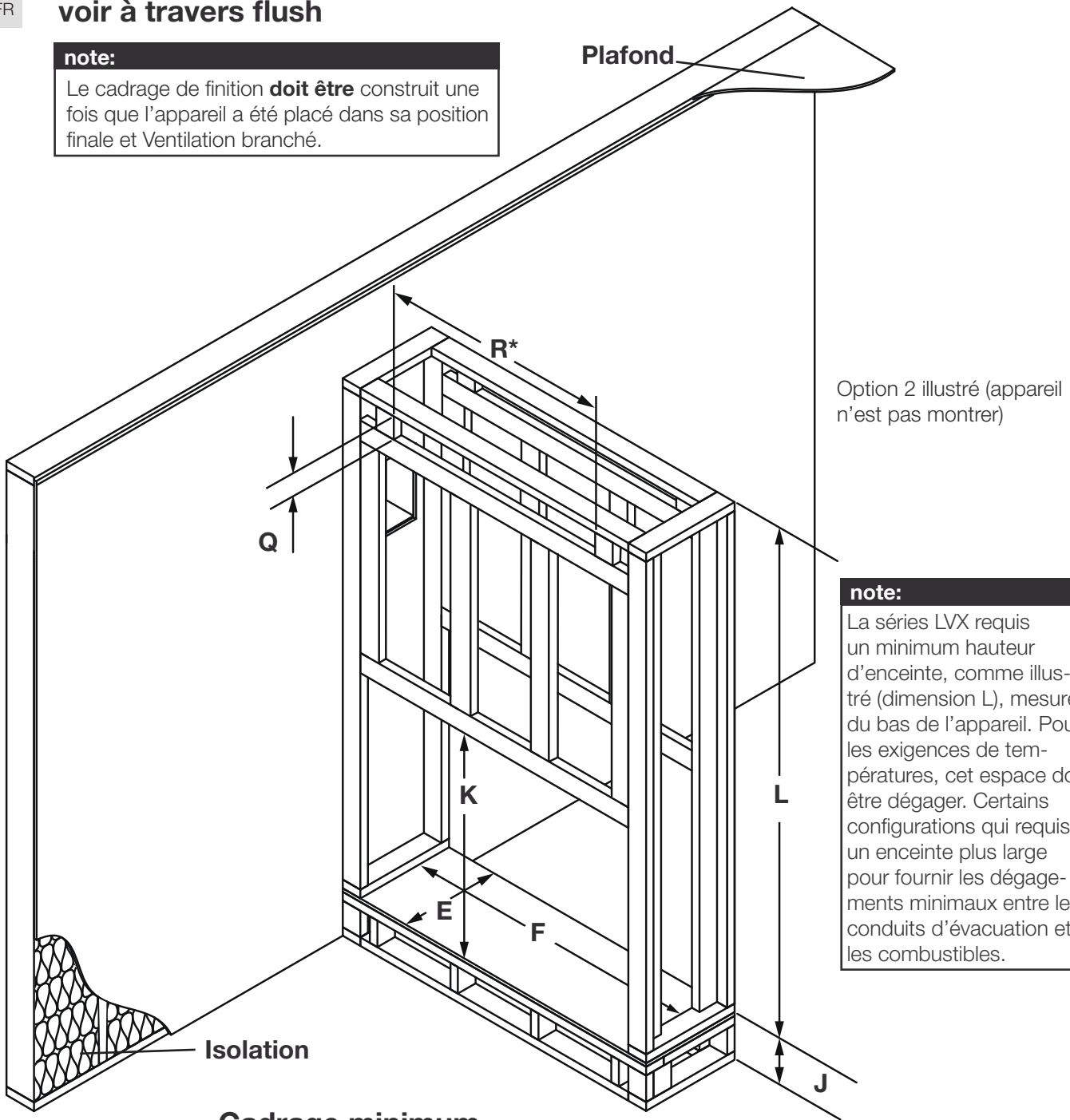
# encadrement fini

FR

## voir à travers flush

**note:**

Le cadrage de finition **doit être** construit une fois que l'appareil a été placé dans sa position finale et Ventilation branché.



Option 2 illustré (appareil n'est pas montrer)

**note:**

La séries LVX requies un minimum hauteur d'enceinte, comme illustré (dimension L), mesuré du bas de l'appareil. Pour les exigences de températures, cet espace doit être dégager. Certains configurations qui requies un enceinte plus large pour fournir les dégagements minimaux entre les conduits d'évacuation et les combustibles.

### Cadrage minimum

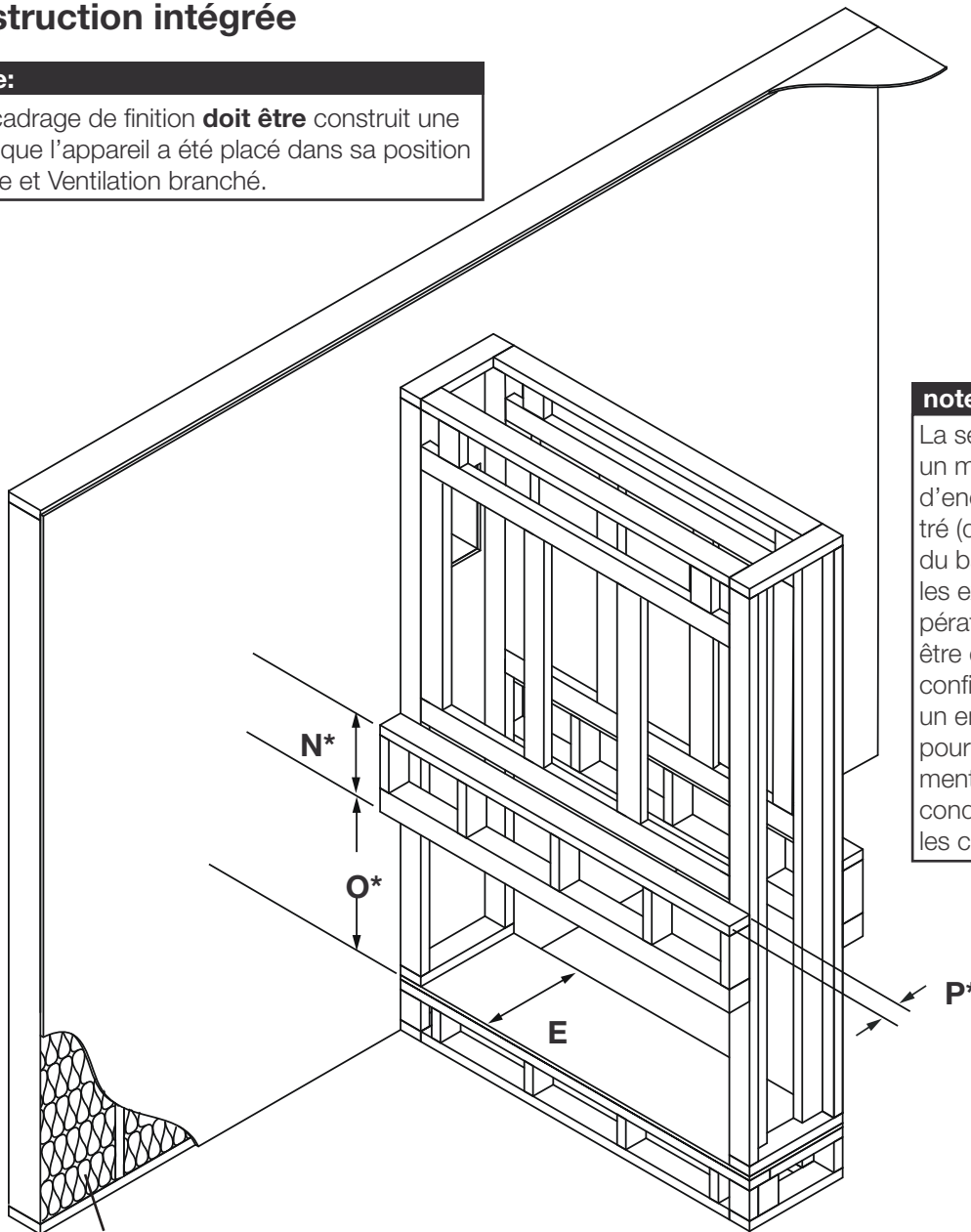
Ref	LVX38-1	LVX50-1	LVX62-1	LVX74-1
<b>K</b>	39 15/16" (101.4cm)			
<b>E**</b>	16 3/16" (41.1cm)			
<b>F</b>	53 13/16" (136.7cm)	65 13/16" (167.2cm)	77 13/16" (197.6cm)	89 13/16" (228.1cm)
<b>J</b>	Optionnel - L'appareil ne doit pas être élevé au-dessus du plancher.			
<b>L</b>	73" (185.4cm)		91" (231.1cm)	
<b>Q</b>	2" min et 3" max			
<b>(Q x R)*</b>	80 sq. in.		160 sq. in.	

\* SEULEMENT APPLICABLE AUX OPTIONS 2 ET 3 - L'ouverture **doit être** centrée dans l'enceinte de l'appareil. Les dimensions représentent les tailles finies et, le cas échéant, doivent être ajustées pour inclure l'épaisseur du matériau de finition.  
 \*\*Max. 21" (53.5cm).

## construction intégrée

**note:**

Le cadrage de finition **doit être** construit une fois que l'appareil a été placé dans sa position finale et Ventilation branché.


**note:**

La séries LVX requies un minimum hauteur d'enceinte, comme illustré (dimension L), mesuré du bas de l'appareil. Pour les exigences de températures, cet espace doit être dégager. Certains configurations qui requies un enceinte plus large pour fournir les dégagements minimaux entre les conduits d'évacuation et les combustibles.

### Isolation Cadrage minimum

Option 2 illustré (appareil n'est pas montrer)

Ref	LVX38-1	LVX50-1	LVX62-1	LVX74-1
E***		16 3/16" (41.1cm)		
N* / **		14 1/4" (36.2m)		
O*		25 11/16 (65.2cm)		
P*		4" (10.1cm) Max		

\* L'épaisseur du matériau de finition **doit être** prise en compte lors de la construction de l'encadrement de la saillie (c'est-à-dire des dimensions telles que N, O et P comprennent des encadrements et des finitions). Si désiré, les protrusions latérales et inférieures peuvent être réalisées avec 4 "(10,1 cm) Max. (Matériau de finition non illustré).

\*\* C'est une dimension recommandée lors du montage de l'électronique au-dessus de l'appareil. Sinon, il peut être aussi minime que les permis de construction.

**note:**

Une fois terminé, **les protubérances ne doivent jamais empiéter sur la bride de finition**, car cela entravera l'installation de la barrière de sécurité et un fonctionnement sûr. Voir la section "finition" dans le manuel d'installation.



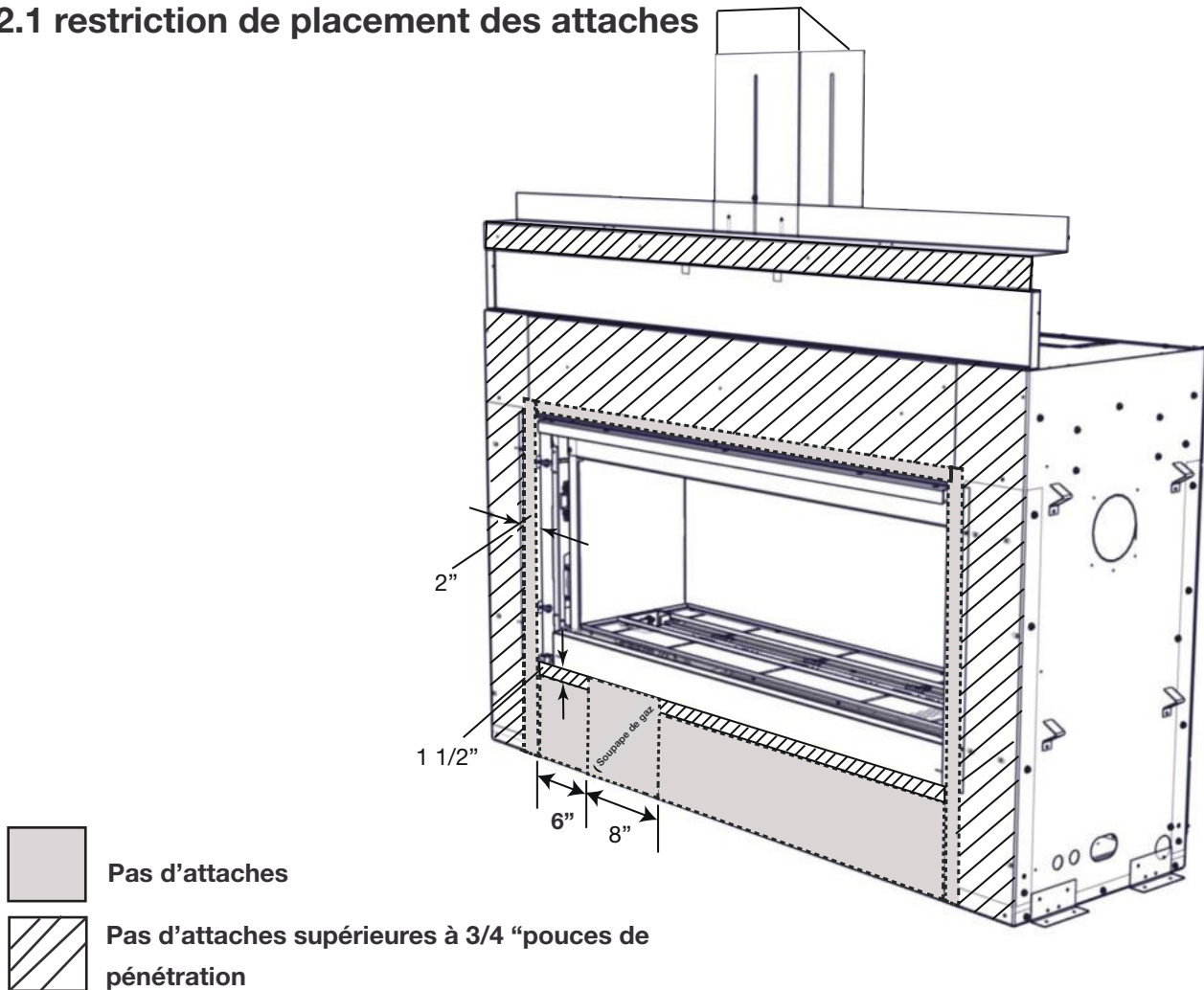
## 12.0 finitions

FR

### ! AVERTISSEMENT

- Risque d'incendie!
- N'obstruez jamais l'ouverture sur le devant de l'appareil.
- Si la finition de la façade de l'appareil est fait, elle doit être faite de matériau incombustible comme de la brique, du marbre du granite, etc., sous réserve que ces matériaux ne dépassent pas le dimension spécifiée, comme illustré.
- Ne frappez, claquez et n'égratignez pas la porte vitrée. Ne faites pas fonctionner l'appareil lorsque la porte vitrée est enlevée, fissurée, brisée ou égratignée.
- Les matériaux de façade ou de finition ne doivent jamais empiéter sur l'ouverture de l'appareil.
- L'assemblage de la porte en verre est conçu pour pivoter vers l'avant pour soulager la surpression qui pourrait se produire. Les matériaux de finition ou d'autres matériaux ne doivent pas être situés dans l'ouverture qui entoure la porte, car cela entraverait la capacité des portes à soulager la pression.

### 12.1 restriction de placement des attaches



Lors de la sécurisation des non combustibles, nous vous suggérons d'utiliser un adhésif de construction à haute température à moins de 2 "(5,08 cm) ci-dessus et sur les côtés et 8" (20,3cm) de l'ouverture de l'appareil et 8 po (20,3 cm) sous l'ouverture de l'appareil. **NE PAS VISER DANS LA ZONE RESTREINTE, CE QUI POURRAIT ENDOMMAGER LES COMPOSANTS INTERNES DE L'APPAREIL QUI PEUVENT CAUSER DES BLESSURES OU DE LA MORT.**

Cela s'applique aux appareils à un ou à l'autre côté et vis-à-vis.

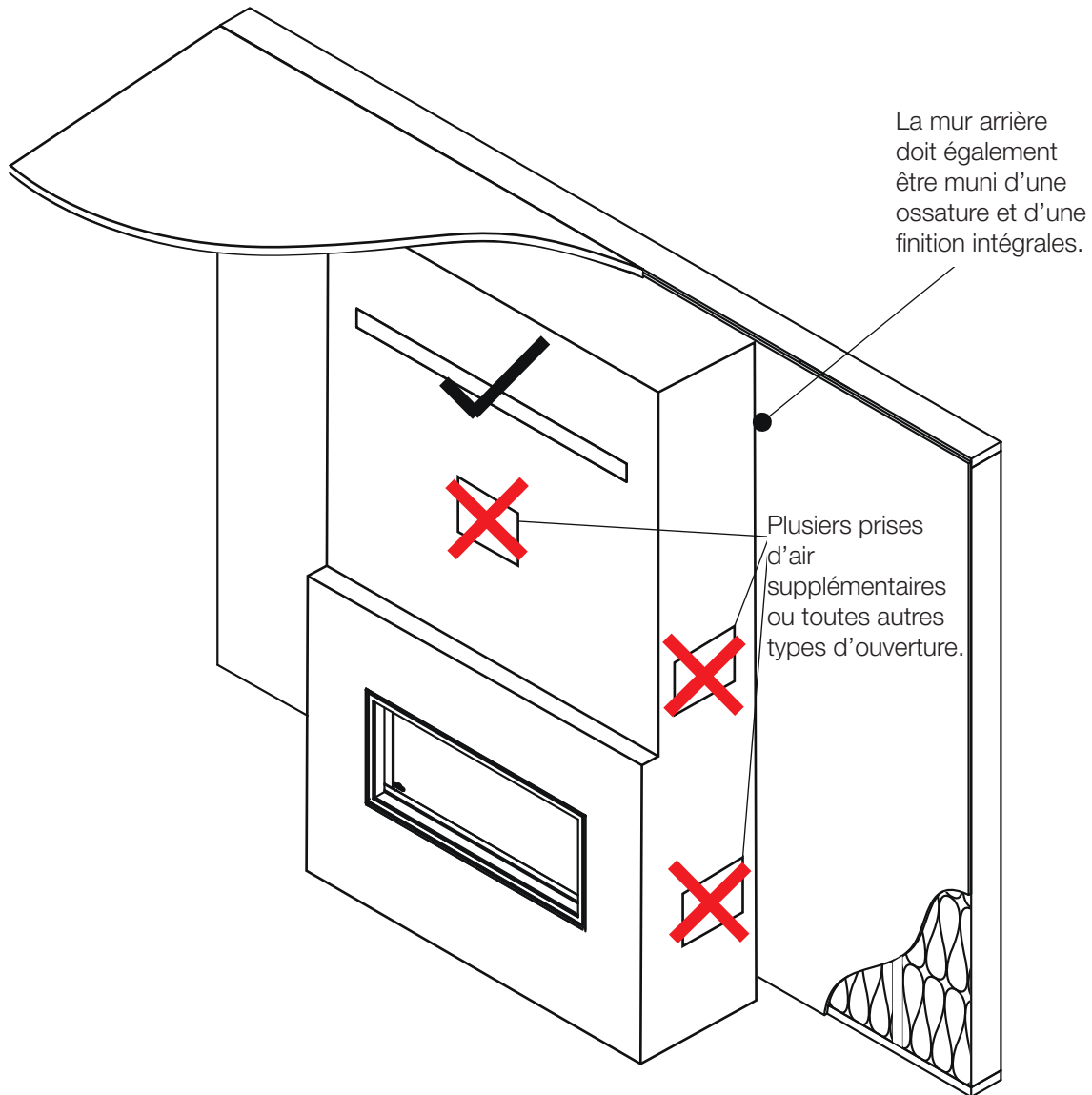
La longueur maximale de la vis à utiliser à l'extérieur de la zone à vis restreinte est de 3/4" supérieure à l'épaisseur du matériau de finition.



## 12.2 conception de l'enceinte

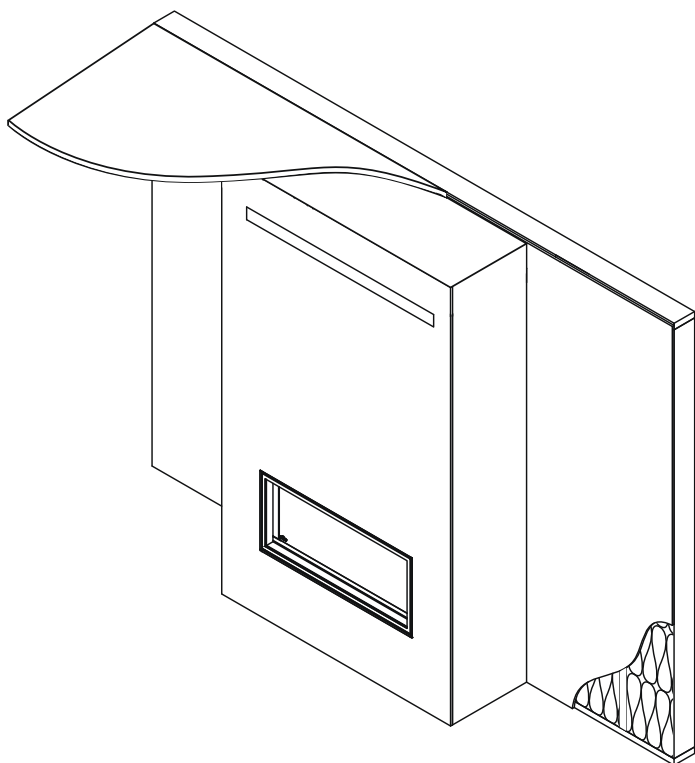
Les ouvertures additionnels dans l'enceinte ne sont pas acceptable puisque le système DHC<sup>MD</sup> fait appel à l'« effet cheminée » créé dans l'appareil et l'enceinte.

Avec la présence d'une ou de plusieurs prises d'air supplémentaires sur une enceinte, l'air peut contourner l'appareil, ce qui accroît la température de fonctionnement de l'appareil et autour de son ouverture. Il s'agit d'une façon contreproductive de montrer les avantages de la gestion de la chaleur à des clients potentiels. Dans certains cas extrêmes, l'appareil peut devenir assez chaud pour déclencher l'interrupteur de surchauffe et s'éteindre.



**note:**

L'extérieur de l'enceinte doit être intégralement finie et dotée d'un plancher complet.

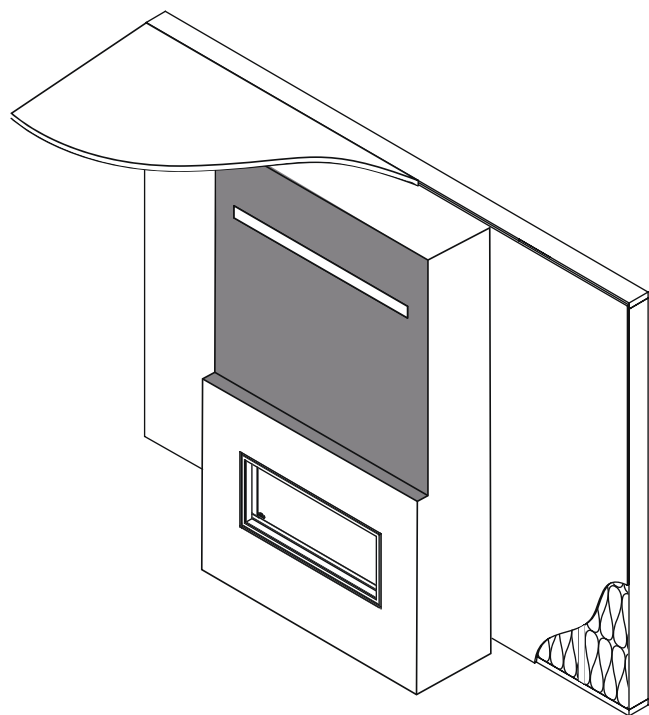


Avec Dynamic Heat Control™, vous pouvez terminer l'appareil avec des matériaux combustibles, à l'exception des appareils avec installation encastrée. L'ouverture de la sortie d'air doit être située hors de la portée de l'utilisateur. Le plombage de l'Ait ne doit pas être restreint par un mobilier ou un décor.

### Installation encastrée avec Dynamic Heat Control<sup>MD</sup>

#### **! AVERTISSEMENT**

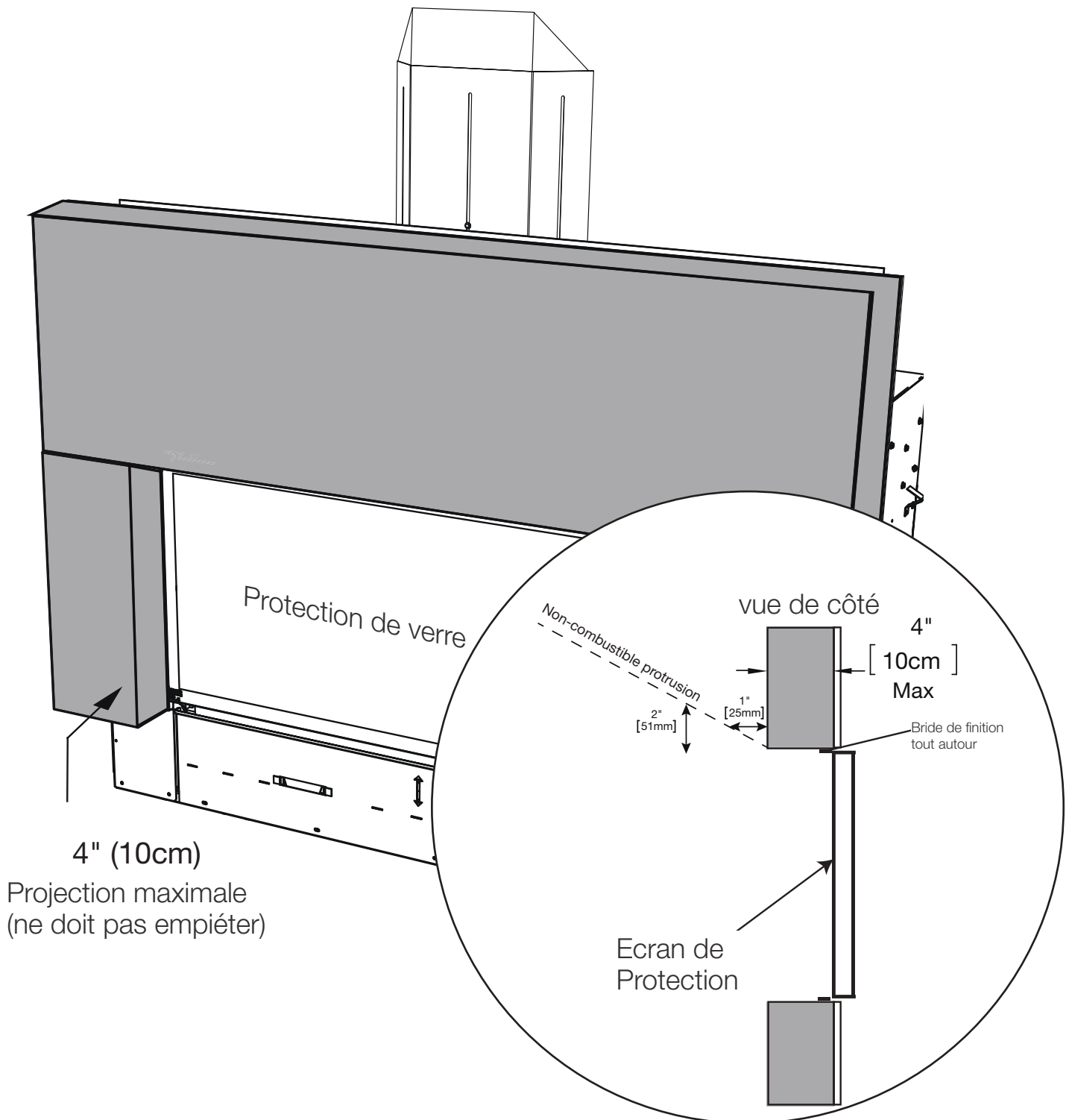
- La zone ombragée doit être des matériaux incombustibles.



**LA ZONE NON SOMMAIRE DOIT ÊTRE MATÉRIAUX NON COMBUSTIBLES.** L'installation encastrée d'un seul côté nécessite un matériau à récurrence pour utiliser un revêtement non combustible en raison de la proximité immédiate de l'événement. L'ouverture de la sortie d'air doit être située hors de la portée de l'utilisateur. L'ouverture de la sortie d'air ne doit pas être limitée par un mobilier ou un décor.

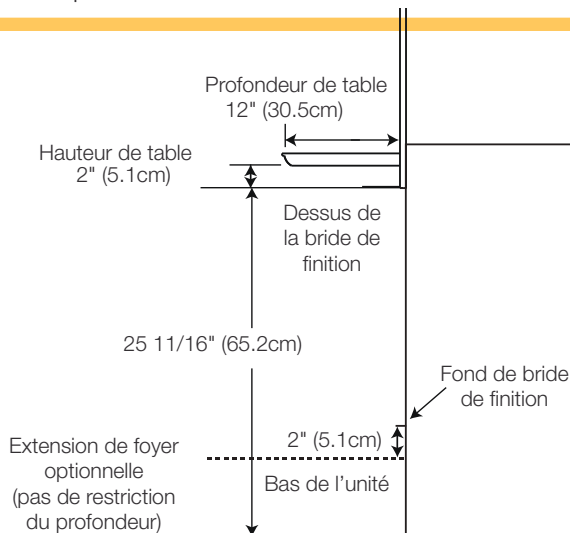
**! AVERTISSEMENT**

- Le matériau de finition incombustible serré sur le châssis autour du protection en verre ne doit pas dépasser plus de 4" (10cm) de la face de la barrière de sécurité (au-dessus de la porte et des côtés seulement).



### ! AVERTISSEMENT

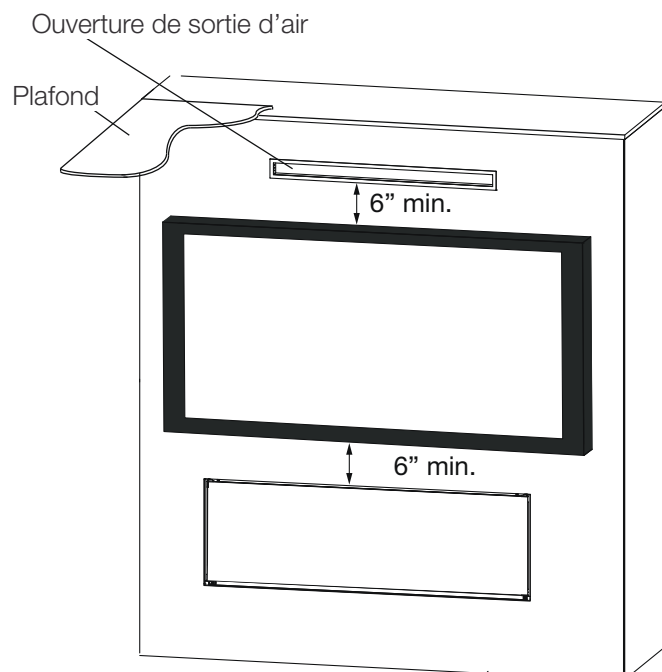
- Risque d'incendie. Maintenir tous les espaces spécifiés pour les espaces combustibles. Le non-respect de ces instructions peut provoquer un incendie ou provoquer une surchauffe de l'appareil. Assurez-vous que tous les dégagements (c'est-à-dire le dos, le côté, le haut, l'évent, le manteau, l'avant, etc.) sont clairement maintenus.
- Lorsque vous utilisez de la peinture ou de la laque pour finir le manteau, la peinture ou la laque doit être résistante à la chaleur pour éviter la décoloration.
- L'installation d'un téléviseur ou d'autres appareils électroniques au-dessus de l'appareil peut provoquer une décoloration, une fusion ou des dommages à l'électronique. Utilisez les autorisations comme directives et reportez-vous aux instructions du fabricant de votre téléviseur pour plus d'informations.



L'installation d'un manteau entre cet appareil et l'électronique ou d'autres matériaux susceptibles d'être sensibles à la chaleur réduira l'effet de la chaleur directe sur ceux-ci. Suivez les instructions de hauteur et de profondeur du manteau pour obtenir des informations appropriées.

Un manteau incombustible est considéré comme une protubérance non combustible, voir la section de saillie.

L'électronique, les cadres, les décors ou d'autres objets montés sur le mur doivent être à 6 "au-dessus de l'ouverture de sortie d'air et 6" au-dessus de la bride de finition.

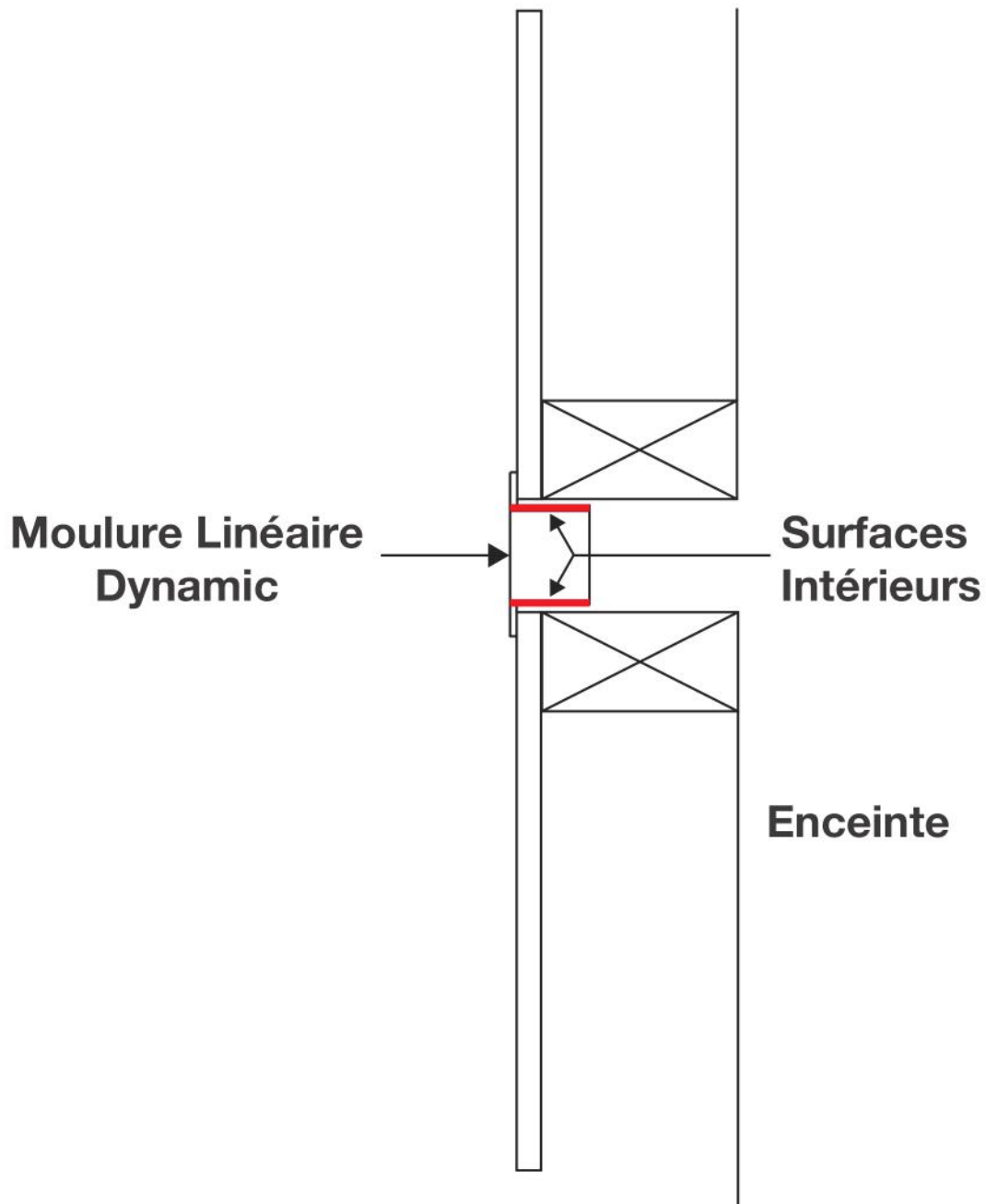


## 12.5 finition du moulure optionnel

Lorsqu'installer avec l'ouverture de sortie d'air avant (ou arrière), un ensemble de moulures décoratives est vendu pour la « finition » de l'installation. Les ensembles de moulures peuvent être peints d'une couleur d'accompagnement ou d'une couleur harmonisée à la pièce.

**L'espace minimum de l'ouverture de sortie d'air doit être maintenu après que les matériaux de finitions sont installés.**

Contactez votre détaillant autorisé pour plus d'information.

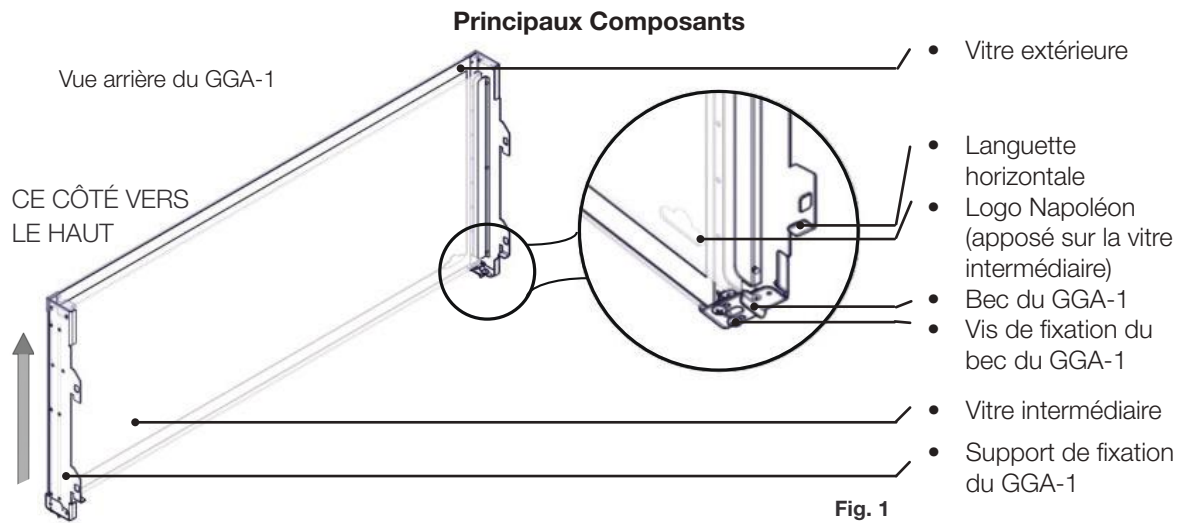


**note:**

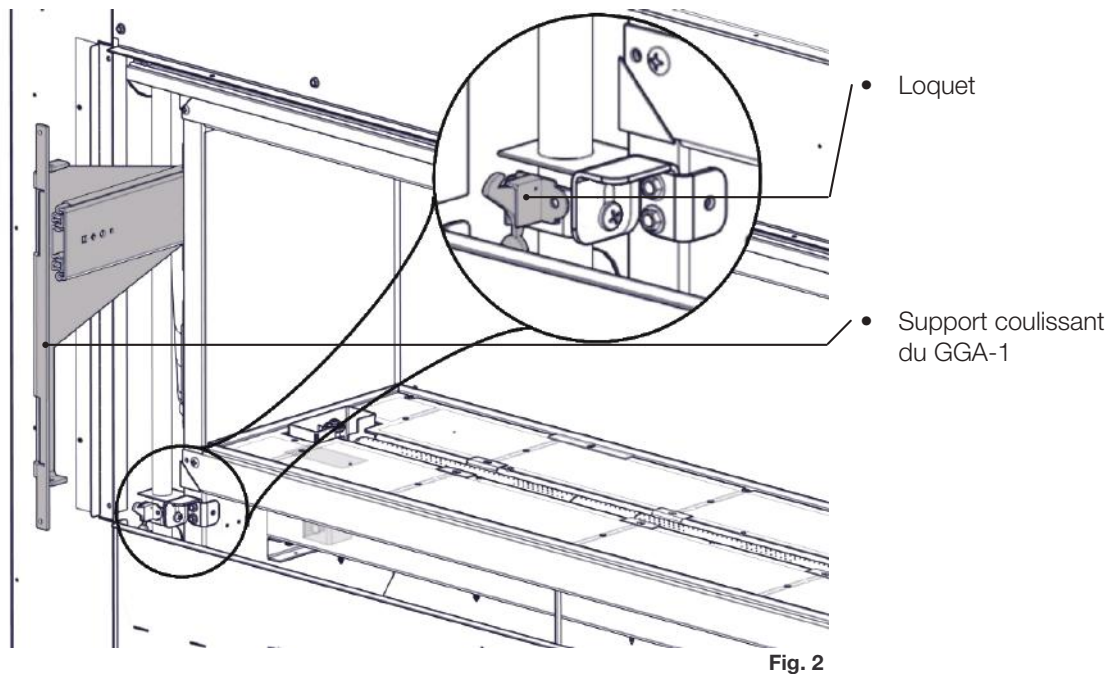
Les surfaces intérieures peuvent être visibles.

### ⚠ AVERTISSEMENT

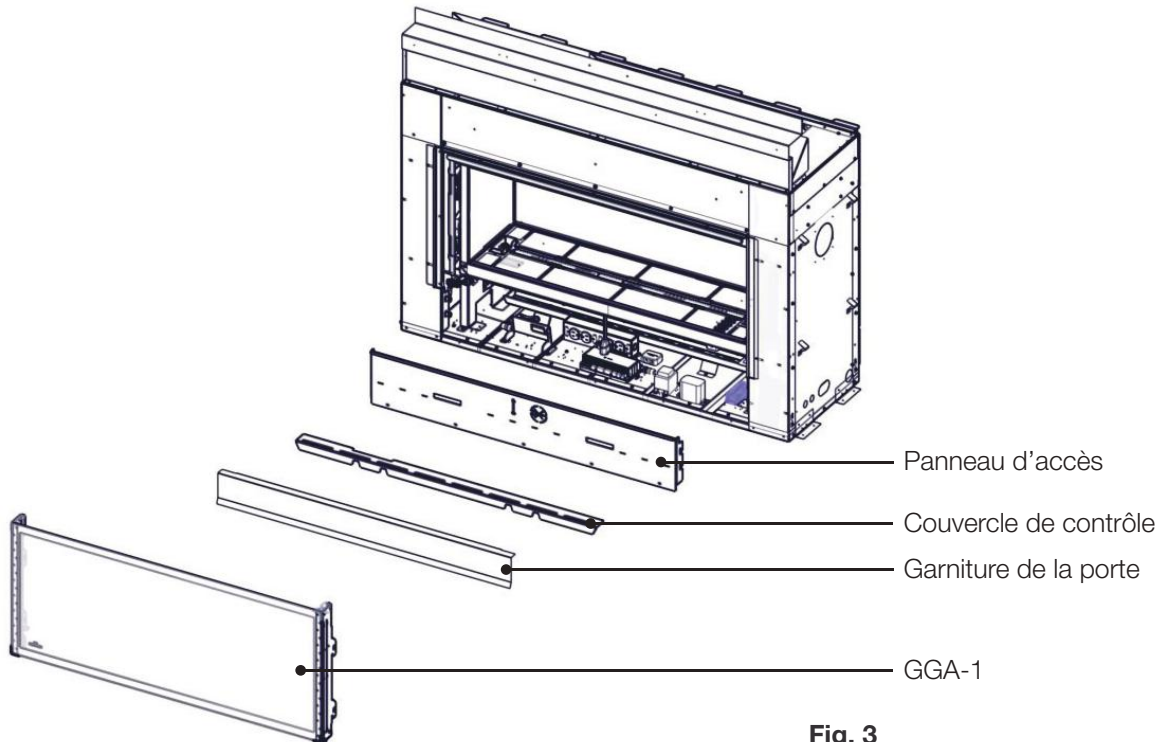
- Les matériaux d'emballage en polystyrène ou en mousse de polystyrène peuvent égratigner la vitre si le GGA-1 n'est pas recouvert de la couche de plastique.
- Prenez les mesures nécessaires pour protéger l'appareil et les ouvertures du système Dynamic Heat Control™ (DHC) contre les saletés, les débris et les dommages au moment de la finition.
- L'installation et l'enlèvement du GGA-1 doivent être effectués par deux personnes.
- Le GGA-1 doit être installé et ajusté de façon préliminaire avant la pose du cadre de finition et la finition de l'appareil. Il est beaucoup plus facile de faire ces ajustements avant la finition, pendant que le panneau d'accès est enlevé. Il est recommandé d'enlever le GGA-1 après les ajustements préliminaires et de le ranger en sûreté, dans son emballage original, pendant que vous procédez à la finition.



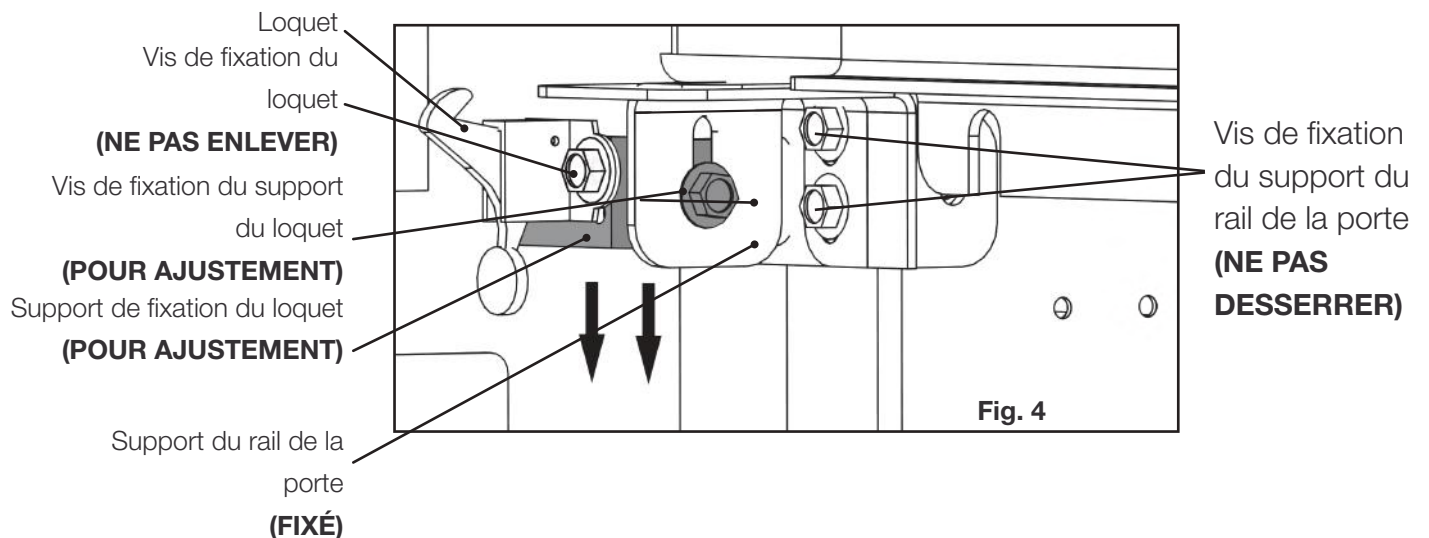
Vue de l'accès latéral de l'appareil



1. Déballez le GGA-1 et gardez les matériaux d'emballage pour ranger le GGA-1 après le montage d'essai.
2. Veillez à manipuler le GGA-1 comme sur l'illustration (**Fig. 1**) étant donné que la vitre intermédiaire flottante pourrait sortir de l'ensemble si celui-ci n'est pas manipulé correctement.
3. Pour faciliter l'installation au moment de l'ajustement préliminaire, retirez la garniture de la porte, le couvercle de contrôle et le panneau d'accès (**Fig. 3**).


**Fig. 3**

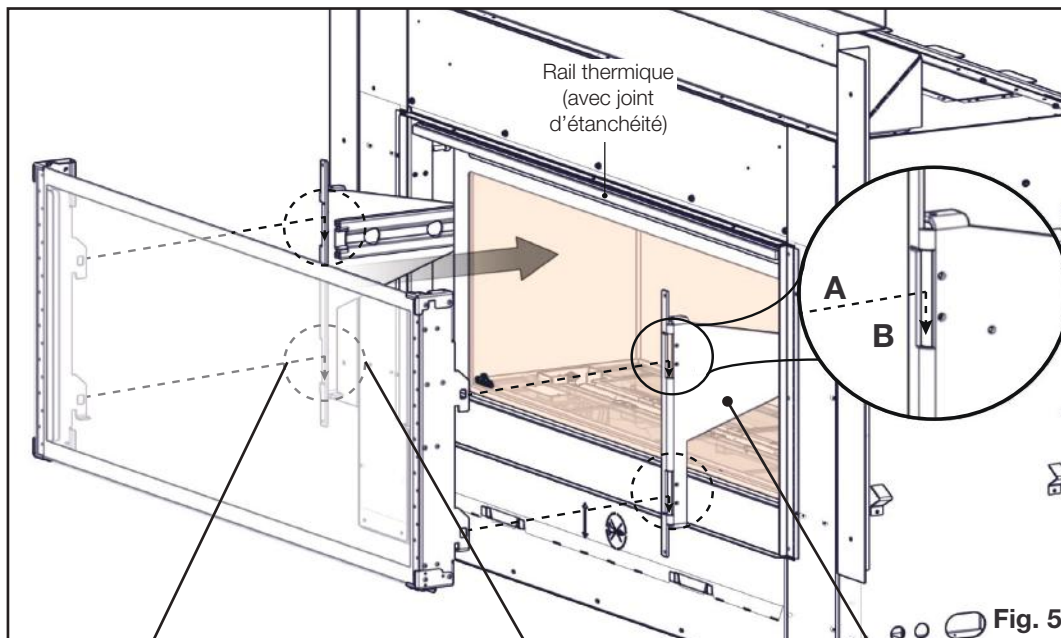
4. Pour un montage facile, les vis de fixation du bec doivent être situées au bas de leur ouverture. Il peut être nécessaire de desserrer les vis de fixation du loquet et de les glisser jusqu'en bas. Resserrez lâchement les vis de fixation du loquet, en prenant soin de ne pas serrer excessivement (**Fig. 4**). Répétez pour l'autre fin du GGA-1.

**remarque:**
**NE PAS SERRER EXCESSIVEMENT.**

**Fig. 4**

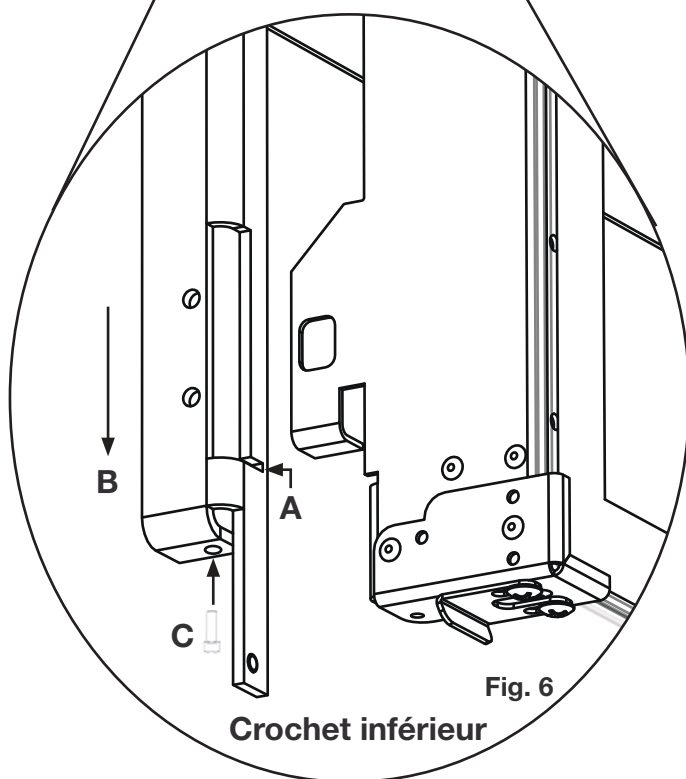
# finitions

FR

5. Étirez au maximum les deux supports coulissants du GGA-1 de l'appareil vers l'extérieur (**Fig. 5**).
6. Accrochez soigneusement le GGA-1 sur les supports coulissants en alignant la languette horizontale du GGA-1 avec la fente horizontale au bas des supports coulissants et en ramenant le GGA-1 pour l'engager dans ses supports coulissants (**A**). Assurez-vous que les onglets du haut et du bas du GGA-1 sont bien enclenchés dans les crochets supérieurs des supports coulissants (**B**) (**Fig 5**).
7. Installez 2 vis de réglage vertical sous la surface des supports coulissants du GGA-1 (**C**) (**Fig. 6**).



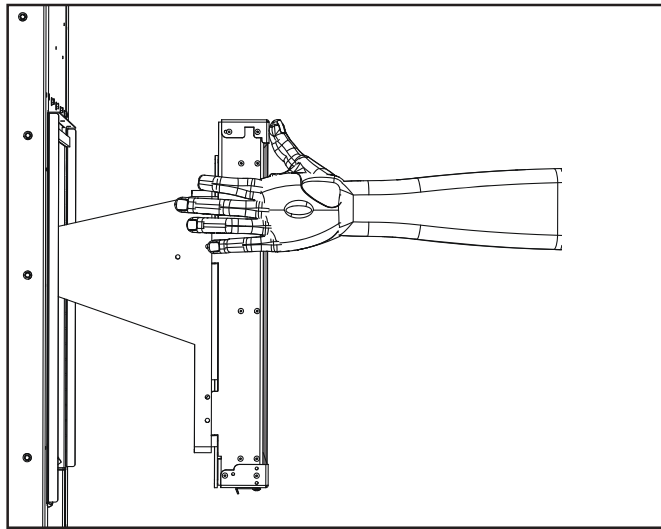
Support coulissant du GGA-1



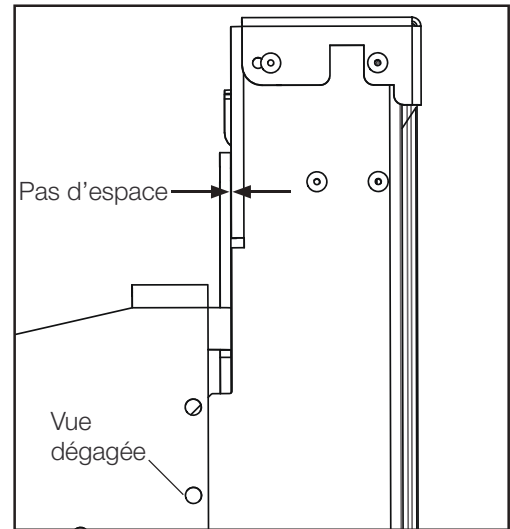


8. Les trous des supports de fixation du GGA-1 doivent être alignés avec les trous de vis des supports coulissants du GGA-1 pour que la vue soit dégagée (**Fig. 8**). Habituellement, il faut soulever le GGA-1 des deux côtés à l'aide des vis de réglage vertical. Habituellement, un soulèvement du GGA-1 d'environ 1/8 po procure un montage préliminaire optimal (**Fig. 9**). Répétez sur l'autre fin du GGA-1.

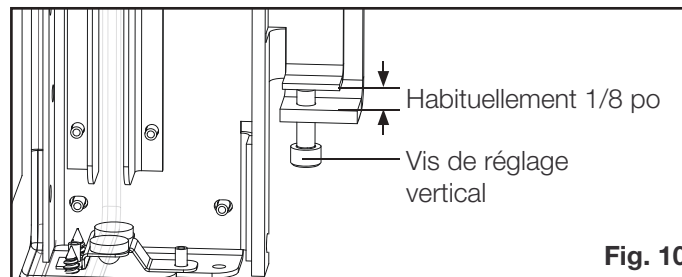
## À FAIRE


**Fig. 7**

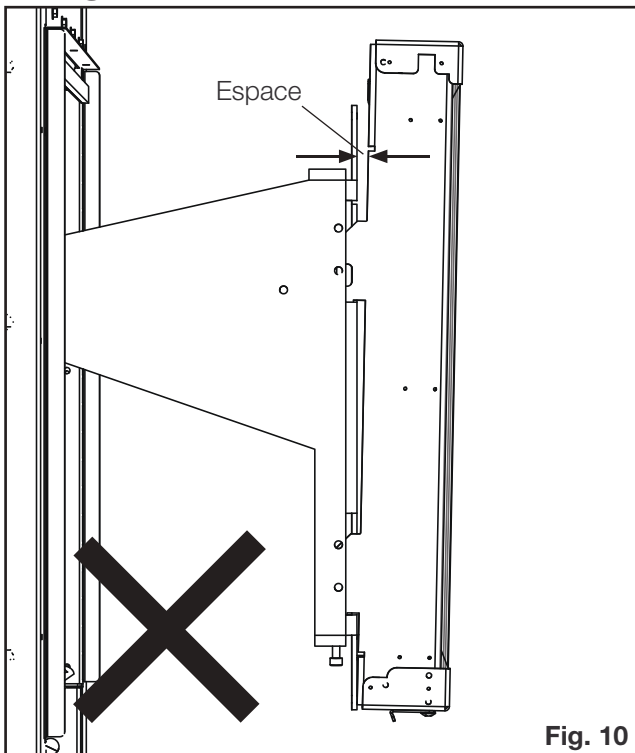
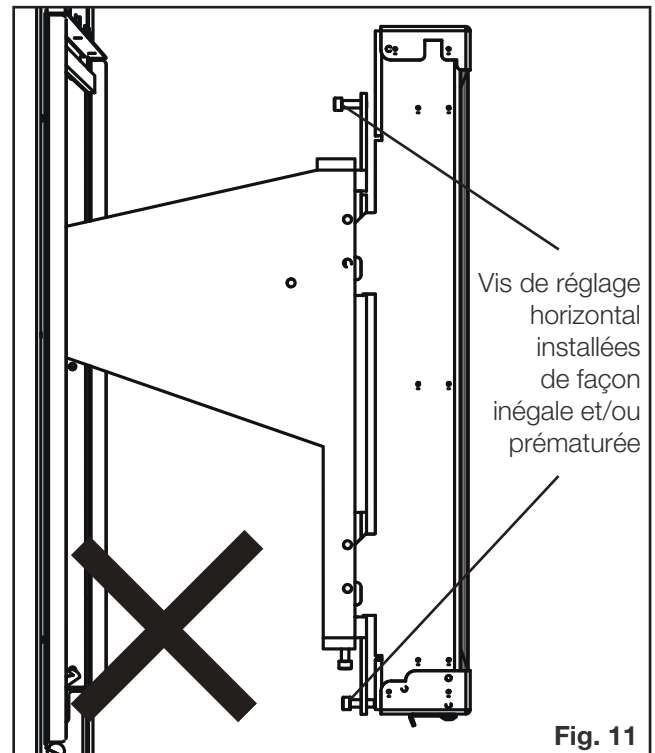
Tenir le GGA-1 et les supports coulissants du GGA-1 fermement ensemble pendant le serrage des attaches. Répétez sur l'autre fin du GGA-1.


**Fig. 8**

Assurez-vous qu'il n'y a pas d'espace entre le GGA-1 et les supports coulissants du GGA-1 en haut ni en bas. Répétez sur l'autre fin du GGA-1.


**Fig. 10**

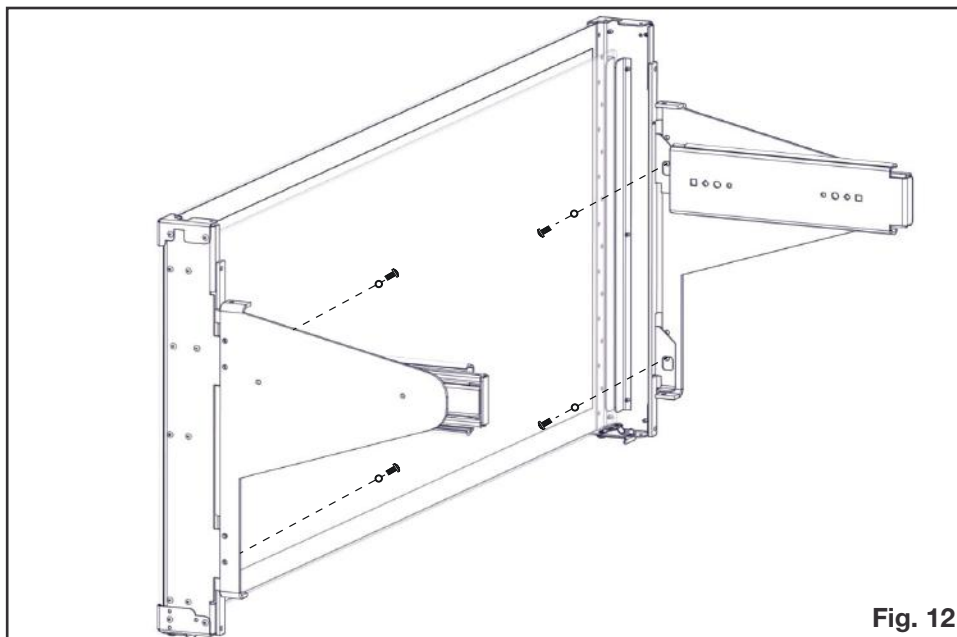
## À NE PAS FAIRE


**Fig. 10**

**Fig. 11**

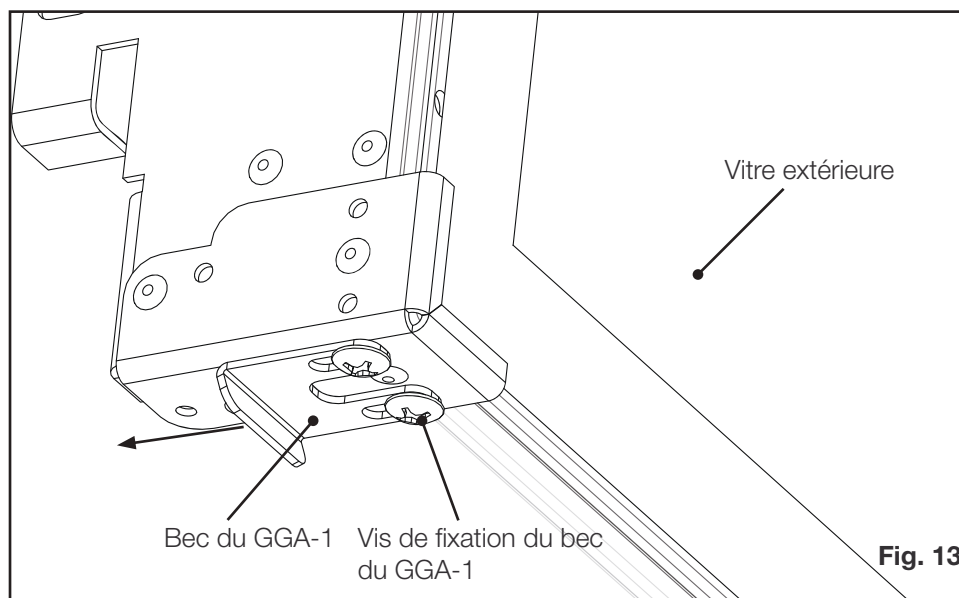
## finitions

FR

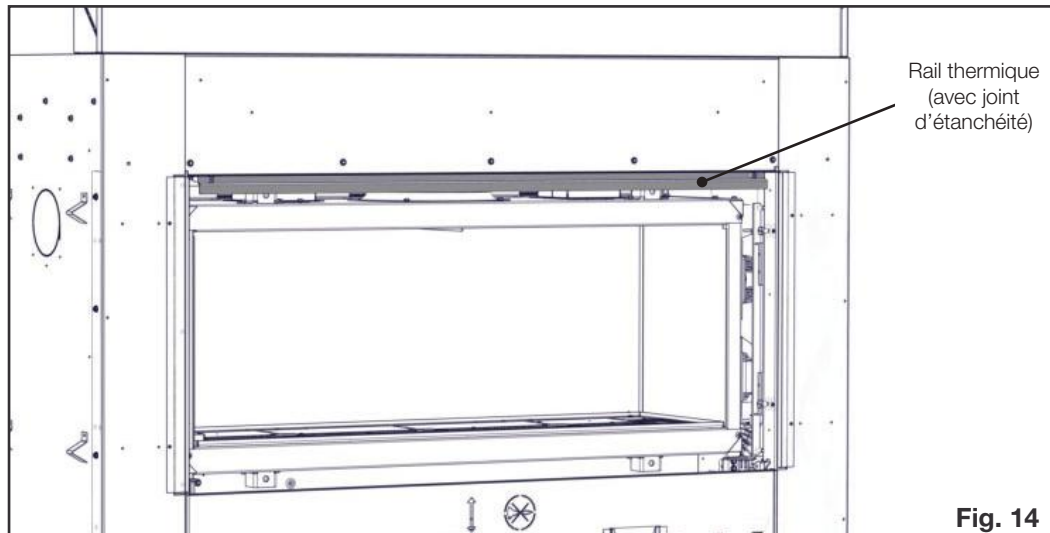
- Fixez le GGA-1 au moyen d'une attache et d'une rondelle en haut et au bas de chaque support coulissant (total de 4), en tenant le GGA-1 fermement sur la surface de son support coulissant tout au long de l'étape (**Fig. 12**). Serrez assez fermement pour que le GGA-1 tienne contre son support coulissant. Ne serrez pas complètement avant d'avoir terminé l'ajustement ni pendant l'installation finale du GGA-1.



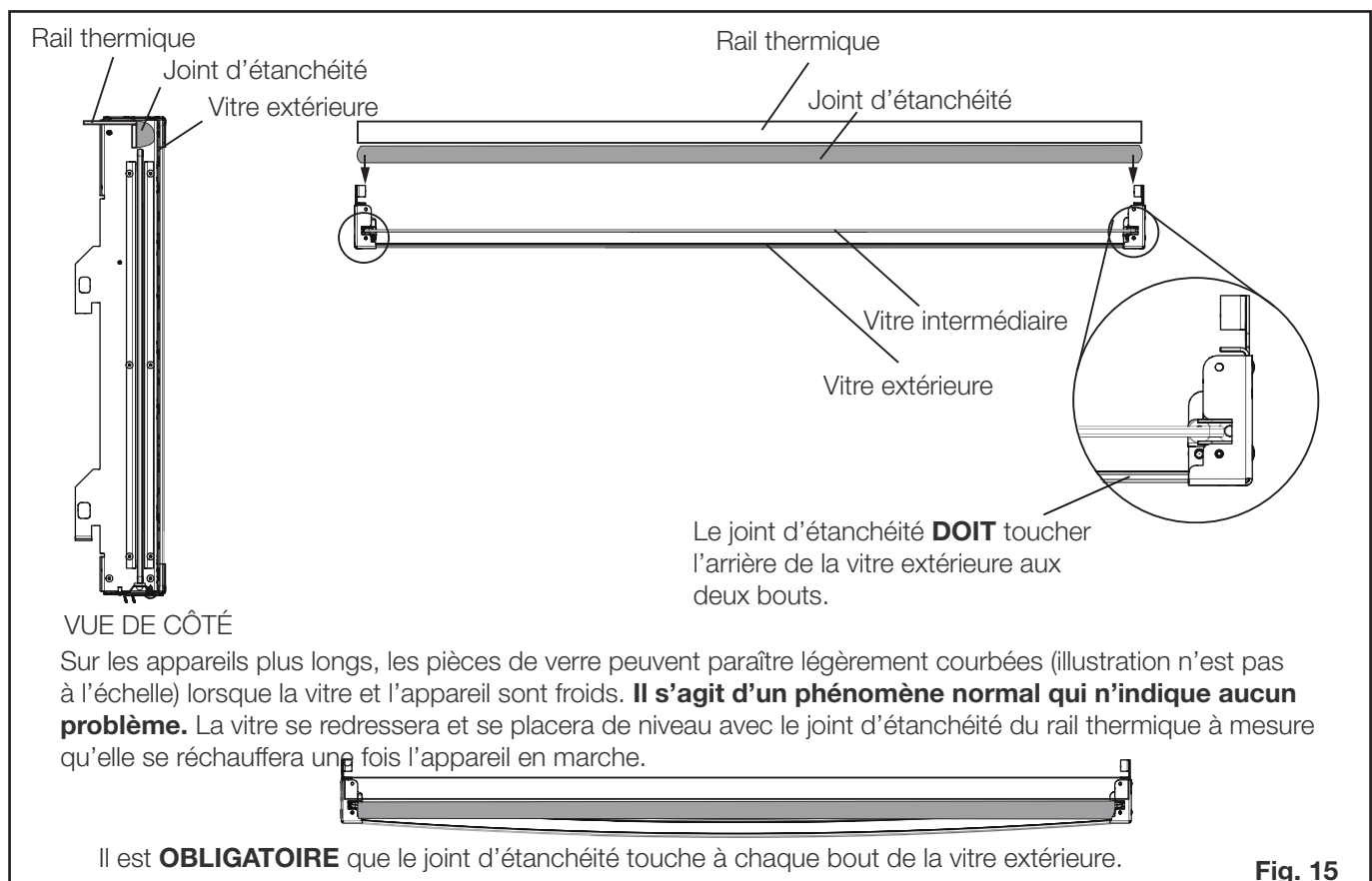
- Les becs du GGA-1 doivent être installés vers l'appareil. Il peut être nécessaire de desserrer les vis de fixation des becs au bas de chaque côté du GGA-1 et de les faire glisser jusqu'en arrière du GGA-1. Resserrez les vis de fixation (**Fig. 13**).



11. Faites glisser le GGA-1 dans l'appareil jusqu'à ce que la vitre extérieure touche au joint d'étanchéité du rail thermique. La surface de la vitre doit entrer en contact avec le rail thermique aux deux bouts (**Fig. 15**). Le GGA-1 « clique » dans les loquets lorsqu'il est verrouillé. Si on tire dessus, le GGA-1 ne doit pas s'ouvrir, il doit être retenu par les loquets. Si le GGA-1 ne s'enclipsé pas aisément avec les loquets, un ajustement pourrait être nécessaire; reportez-vous à l'étape 13.


**Fig. 14**
**important:**

Assurez-vous que le joint d'étanchéité du rail thermique touche les deux bouts de l'arrière de la vitre extérieure, comme sur l'illustration.


**Fig. 15**

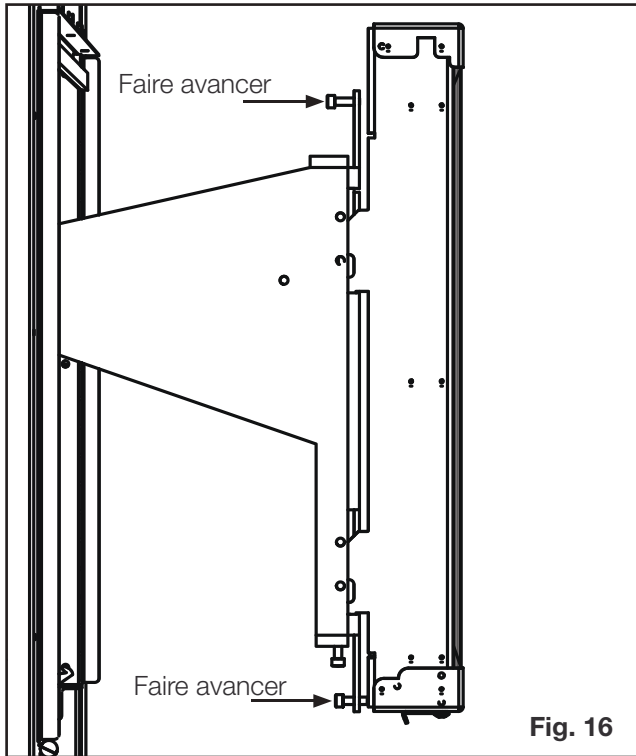
## ! AVERTISSEMENT

- Normalement, il n'est pas nécessaire d'ajuster la position du rail thermique. Communiquez avec votre détaillant Napoléon autorisé avant de tenter quelque ajustement du rail thermique.

# finitions

FR

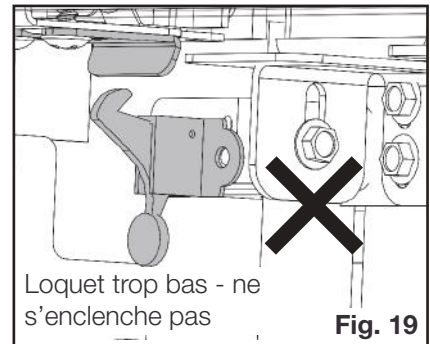
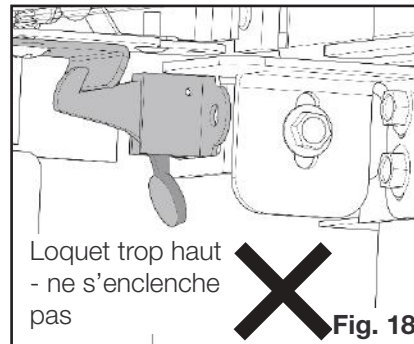
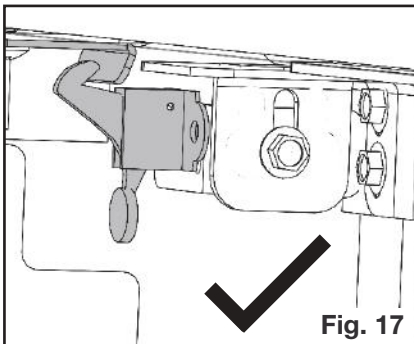
12. Vérifiez si le plan du GGA-1 est droit. Ajustez-le au moyen des vis de réglage horizontal si nécessaire (**Fig. 16**).



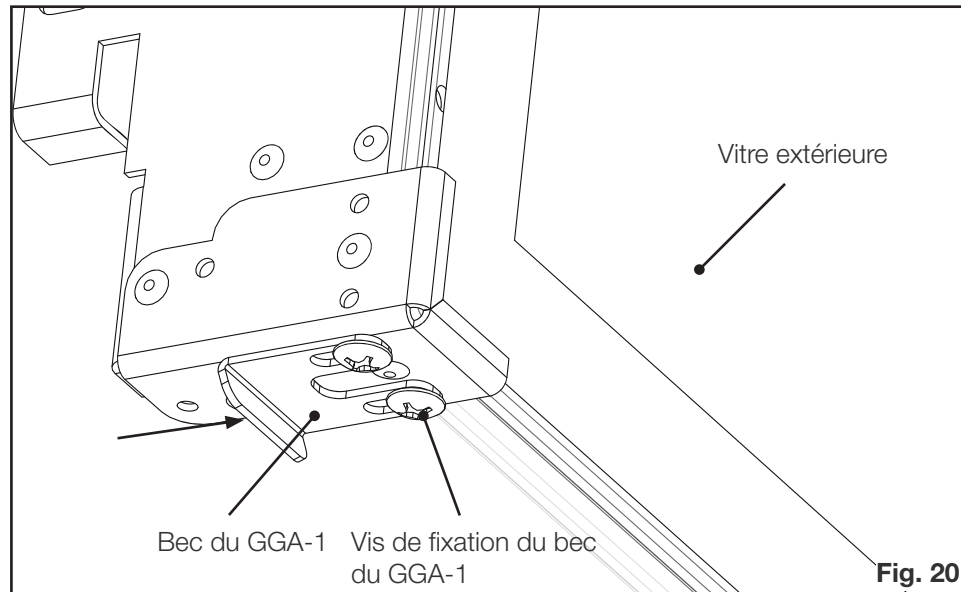
**remarque:**

Si les matériaux de parement ne sont pas installés d'aplomb et d'équerre, il peut être nécessaire d'effectuer l'ajustement horizontal final du GGA-1 après la finition.

13. Vérifiez si les loquets sont bien positionnés (**Fig. 17**). Ajustez les loquets, si nécessaire. Resserrez bien les vis, mais sans serrer excessivement.



14. Vérifiez si les deux bouts de la vitre extérieure du GGA-1 touchent encore au joint d'étanchéité du rail thermique.
15. Assurez-vous qu'il n'y a pas de jeu excessif en tirant légèrement sur la GGA-1 vers l'extérieur. Le jeu (cliquetis / mouvement) devrait être minime dans le système lorsque le GGA-1 est maintenu en place par les loquets.
16. S'il y a un jeu excessif, ajustez les becs au bas du GGA-1 vers l'avant pour réduire le jeu de façon à le rendre minime. Cette façon de procéder vise à faire en sorte que le GGA-1 puisse encore être verrouillé et délogé aisément, sans force excessive (**Fig. 20**).

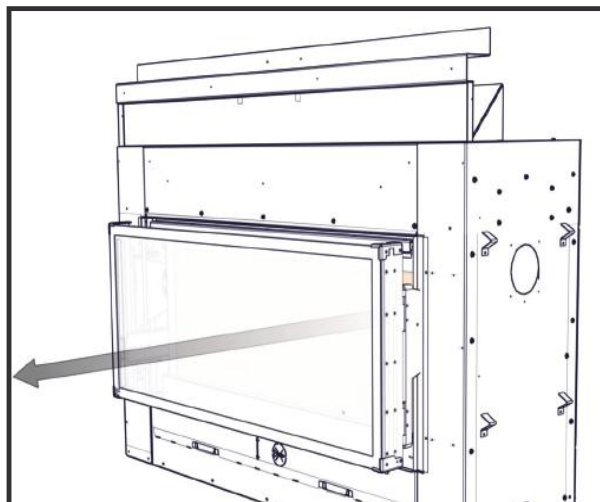
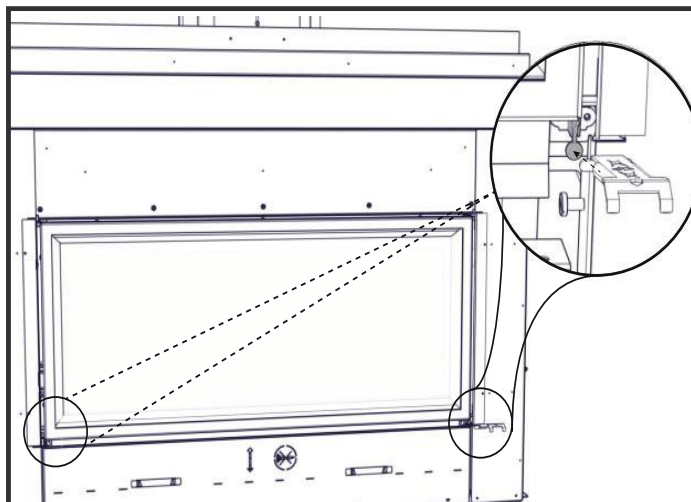

**Fig. 20**
**remarque:**

Le GGA-1 devrait reprendre sa place en glissant aisément puis en se verrouillant d'un « clic ». Le jeu avant et arrière devrait être minime. Le GGA-1 devrait se déverrouiller aisément sans nécessiter de force excessive. Continuez d'ajuster les becs et/ou les loquets du GGA-1 jusqu'à ce que le GGA-1 puisse être bougé correctement.

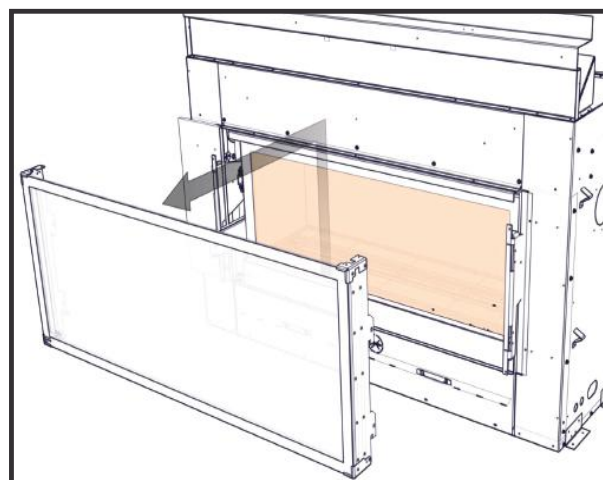
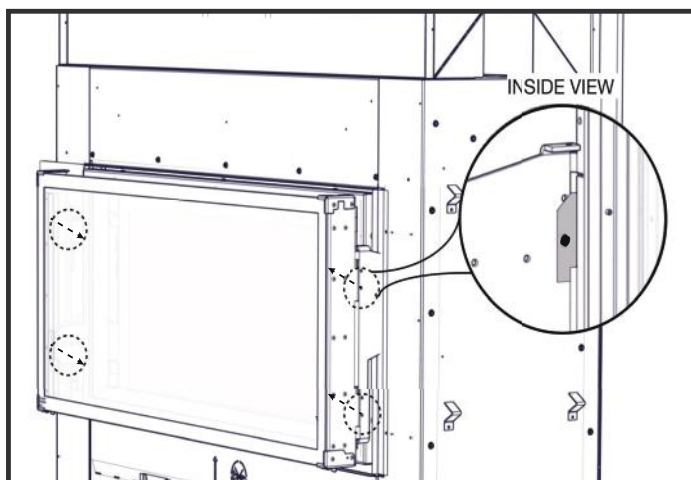
17. Enlever le GGA-1 (reportez-vous à la section « enlever le GGA-1 ») et rangez-le en sûreté après l'ajustement préliminaire. Veillez à poser le GGA-1 sur un matériau non abrasif pour éviter toute égratignure. Il est recommandé de ranger le GGA-1 dans son emballage original, tout en prenant soin de protéger les surfaces en verre contre les égratignures.
18. Réinstallez le GGA-1 après la finition de l'appareil, puis vérifiez l'alignement.
19. Fixez le GGA-1 en serrant bien les vis de ses supports coulissants.

**Dans les cas des modèles binaires, répétez les instructions pour l'autre côté.**

## Pour enlever le GGA-1



1. Pour ouvrir, dégagez les loquets du GGA-1 à l'aide de l'outil de dégagement. Poussez l'outil de dégagement contre le bas du loquet jusqu'à ce qu'il se désenclenche du GGA-1. Tirez délicatement sur le GGA-1 pendant que vous dégagez le loquet.
2. Tirez sur le GGA-1 par les deux côtés de façon à ce qu'il demeure parallèle à l'appareil.



3. Enlevez les vis et rondelles qui fixent le GGA-1 à ses supports coulissants (une par coin, quatre en tout).
4. Soulevez délicatement le GGA-1, puis dégagez-le de ses supports coulissants (2 par côté). Posez l'ensemble sur une surface souple et propre. Prenez soin de protéger les bordures des vitres.

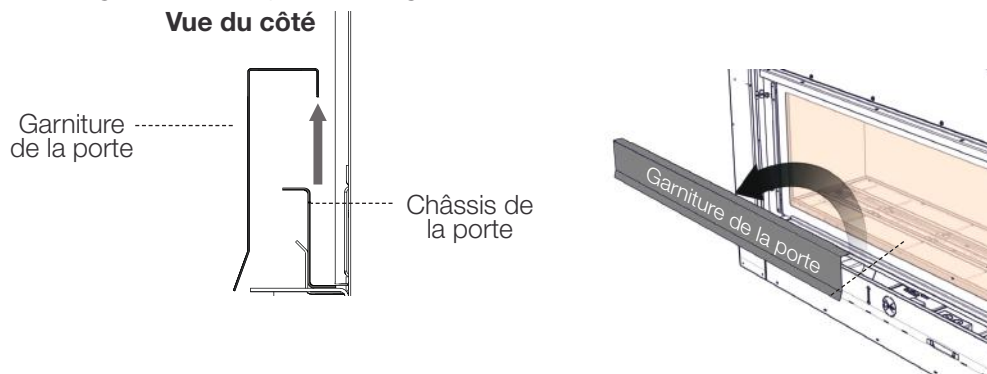
## 12.7 installation / enlèvement de la porte

### ! AVERTISSEMENT

- N'insérez pas les doigts dans l'écart entre la porte et l'encadrement, il y a un risque de blessure en raison du mécanisme bondie.

#### FACE - CÔTÉ D'ACCÈS

- Enlever la barrière de protection, référer la section « installation / enlèvement de la barrière de protection » pour plus d'information.
- Enlever la garniture de la porte en soigneusement soulevez-la hors du châssis inférieure de la porte.



LVX38-1 Illustré

- Pour l'enlèvement de la porte, localiser les loquets de la porte; tirer vers l'avant et à l'écart pour dégager les loquets de la porte.

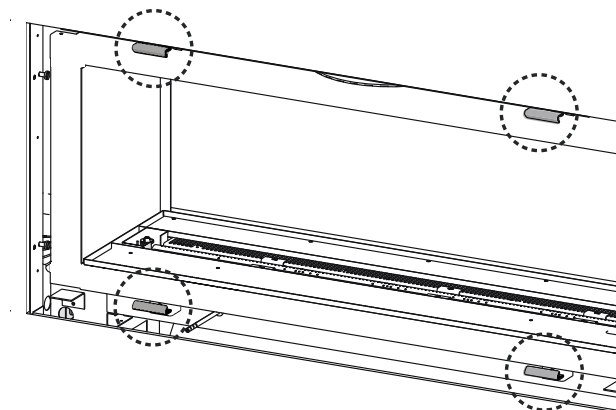
**note:**

Assurez-vous à laisser l'autre main sur la porte en verre lors de l'enlèvement de la porte.

- Pivotez le haut de la porte vers l'avant jusqu'à ce que vous puissiez saisir les côtés, puis soulevez la porte hors du support de porte inférieur.
- Inverser ces étapes pour réinstallez la porte, assurez-vous que les loquets de la porte (varies par appareil) sont bien engagés avant de relâcher.

**note:**

Assurez-vous que la porte ouvre et ferme librement scellé.

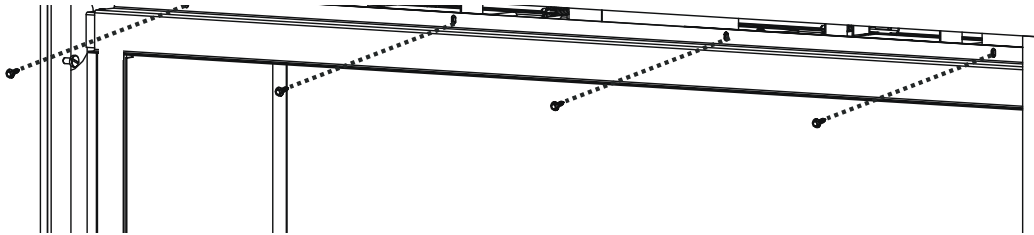


LVX38-1 Illustré

**IMPORTANT:** Une fois que les loquets sont engagés, test pour assurer que la porte est en place et ne tombera pas.

## ARRIÈRE - VOIR À TRAVERS SEULEMENT

- F. Retirez les vis qui fixent la porte à l'appareil.
- G. Pivotez le haut de la porte vers l'avant jusqu'à ce que vous puissiez saisir les côtés. Soulevez la porte hors du support de porte inférieur.
- H. Lorsque vous réinstallez la porte, insérez-la dans le support de la porte inférieur, faites pivoter le haut vers l'appareil et fixez à l'aide des vis enlevés dans étape F.

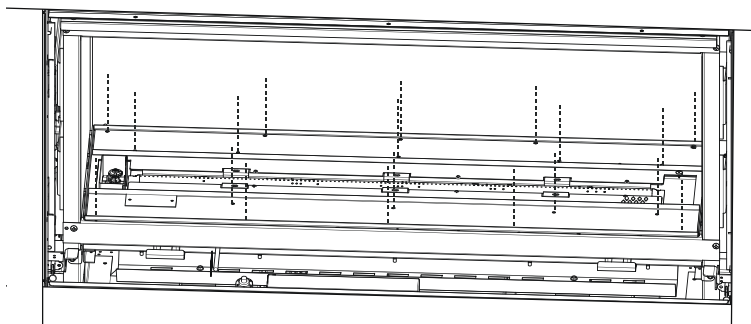


**note:**

Dans des conditions normales, il n'y a aucune raison d'enlever le côté fixe de la porte en verre de l'appareil. Entretien peut être exécuter du côté d'accès.

## 12.8 enlèvement des plateaux de composants décoratif

Nous recommandons d'installer les plateaux de composants décoratifs seulement lors d'installation du sable comme média. Les plateaux, si équipé, devraient être stockée soigneusement dans les cas vous installez autre composants décoratif plutard.



## 12.9 installation / enlèvement de média

### **! AVERTISSEMENT**

- Nettoyez les braises vitrifiées avant d'installation. Assurez-vous qu'elles sont sèches avant de les disposer dans le plateau.
- Ne changez pas ou ni substituez pas les braises vitrifiées fournies avec cet appareil. En cas de remplacement, n'utilisez que les braises vitrifiées de rechange disponibles chez votre détaillant autorisé.
- Des braises vitrifiées sur le brûleur causera l'effet de faire monter la flamme et créer de la suie.
- Ne placez aucun braises vitrifiées, ni vermiculite sur ou autour de l'ouverture de la veilleuse ni sur les orifices du brûleur. Ceci interférerait avec l'opération de la veilleuse.

### **Nettoyage des Braises Vitrifiées**

Il est possible qu'un film huileux recouvre les braises. Avant de les disposer dans le plateau, nettoyez les braises avec un savon à vaisselle doux, égouttez-les, rincez-les à fond et laissez-les sécher.

**note:**

N'utilisez pas plus de composants décoratifs de ce qui est fourni avec l'appareil. Ne pas placer les composants décoratifs directement sur le brûleur (**modèles GN seulement**).

**note:**

Si les plateaux de composants décoratif ne sont pas requis, enlevez-les puis installer de braises vitrifiées pour la meilleure apparence de la flamme et LED.

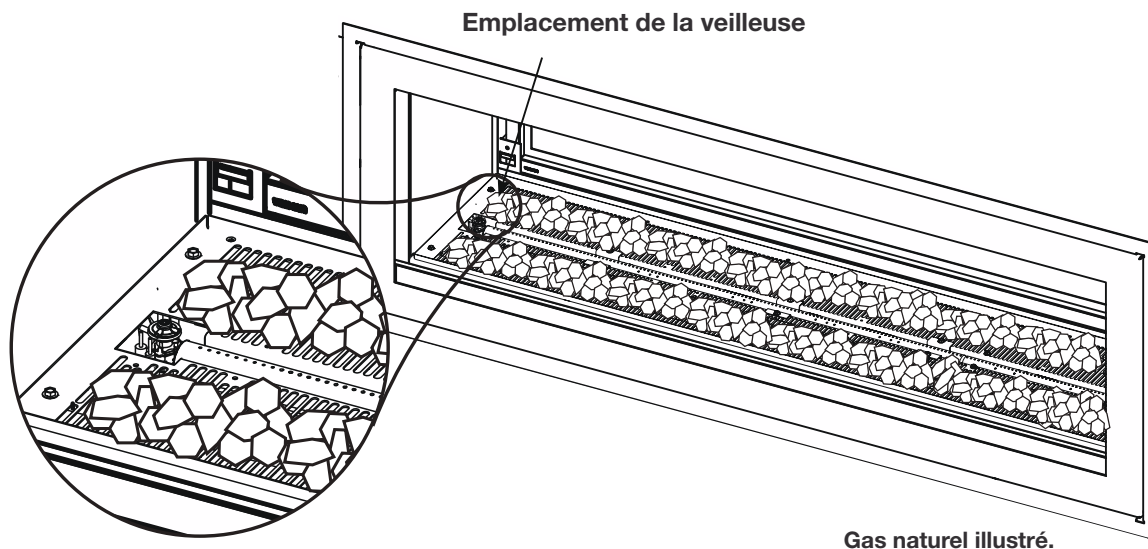


À moins qu'en utilisant le sable comme média, il est recommandé de **N'UTILISEZ PAS** les plateaux à média. Cela assurera une apparence propre à l'appareil, et aussi, il en résulte dans une flamme très agréable et qui a une brûlure propre. Les plateaux à média doivent être entreposés dans l'événement qu'il est prévu d'installer le média alternatif dans le future.

Le média doit être installé à travers le plateau de brûleur, et une quantité petite à modérée du média doit être placée sur le brûleur en soi et, si nécessaire, ajustée d'atteindre une apparence de flamme agréable. **Ne placez jamais le média excessif sur le brûleur car cela peut entraîner la création de carbone et aussi une caractéristique de flamme inattractive. Pour les appareils plus petits, il est recommandé de ne placez pas le média sur les orifices de brûleur eux-mêmes car la différence dans le modèle de flamme peut être particulièrement perceptible.**

**Ne placez jamais le média dans le boîtier de veilleuse ou sur le veilleuse.** Assurez-vous que pas de média tombe dans l'ouverture de veilleuse. Si ça arrive, insérez un sac propre dans votre aspirateur et aspirez le média. Recharges du média peuvent être achetées de votre détaillant / distributeur local.

Toujours vérifiez que l'appareil enflamme bien à travers le brûleur entier pour assurer que l'emplacement de média ne compromet pas la performance. Faire attention particulier lors de l'utilisation des événements de puissance pour assurer que l'emplacement de média n'affect pas l'allumage ou la caractéristique de flamme. Ajustez le volet d'air selon le tableau au dessous de « ajustement de venturi ». Les différences indésirable dans le modèle de flamme résultent de l'emplacement excessif ou irrégulier / incorrect du média sur le brûleur.



**note:**

Ne pas placer média directement sur les piques, voir la section « caractéristiques de la flamme » pour plus d'information.

**Cet appareil est équipé d'un plateau pour sable sur le dessus du plateau avec ouverture pour utilisation avec tous les autres types de médias. À moins que, en installant le support de sable, enlevez les plateaux.**

## 13.0 ajustments

FR

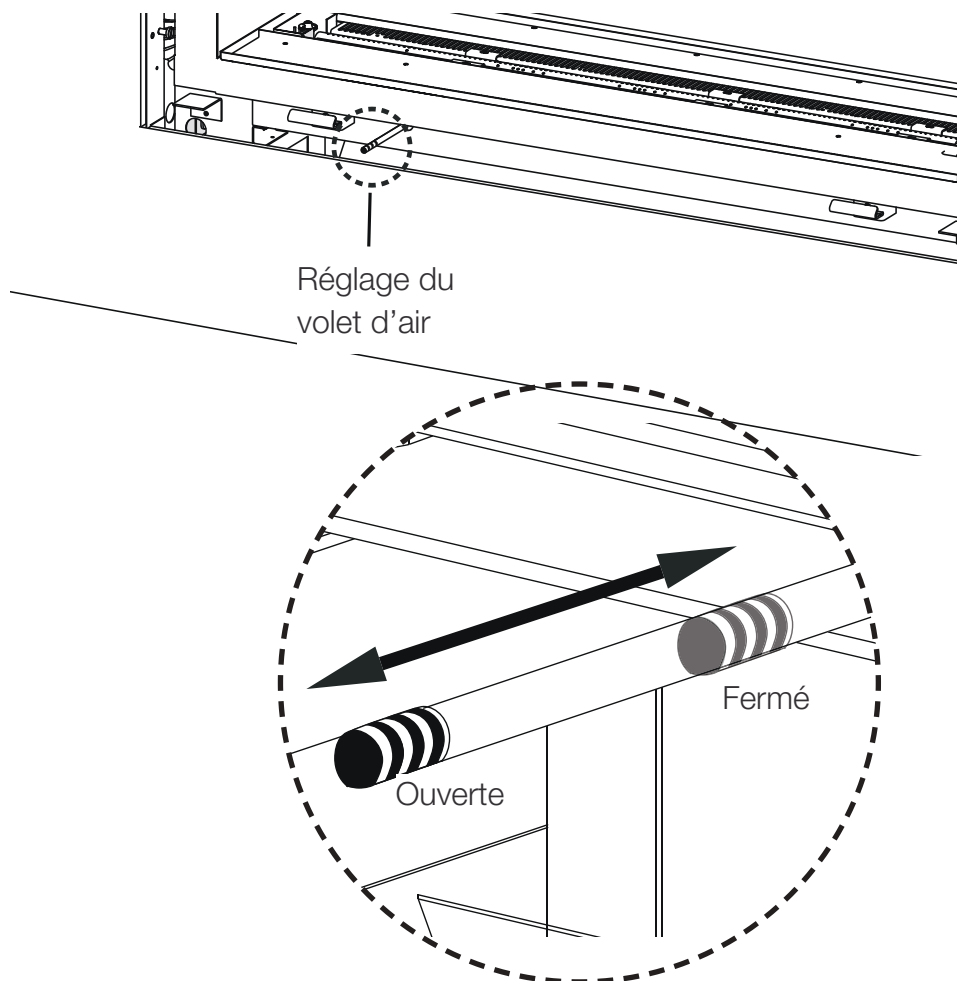
### 13.1 renstreignant des événements verticaux

Certaines configurations d'évacuation verticales peuvent avoir une flamme très active. Si cette apparence n'est pas désirée, la sortie du conduit d'évacuation doit être réduite en utilisant une plaque de restriction. Pour obtenir l'ensemble approprié, voir la section « **pièces de rechanges** » dans le manuel du propriétaire. Ceci diminuera la vitesse des gaz de combustion, ralentissant ainsi le mouvement de la flamme et créant une apparence plus traditionnelle. Les instructions sont incluses avec l'ensemble.

### 13.2 réglage du venturi

Cet appareil est muni d'un volet d'air à réglage externe qui **n'est pas** pré-réglé en usine. Les réglages du volet d'air **doivent être** effectués lorsque le brûleur et les braises vitrifiées sont installés dans l'appareil. Il est important de faire fonctionner l'appareil pour s'assurer que le volet d'air est bien ajusté afin d'éviter que la flamme se détache des orifices du brûleur ou qu'elle produise des dépôts de carbone. Pour ouvrir et fermer le volet d'air, tirez la poignée vers vous pour l'ouvrir et poussez-le fermer.

Tout réglage mineur apporté au volet peut avoir une incidence considérable sur l'aspect de la flamme; il est recommandé de régler le volet par tranche de 1/8 po (32mm).



#### **! AVERTISSEMENT**

- Le réglage du volet d'air doit être exécuté par un technicien ou installateur qualifié.

N'importe où la location du volet d'air est située si vous fermez le volet d'air le réglage du volet d'air causera une flamme plus jaune, et aussi mener à la carbonisation. Si vous ouvrez le volet d'air plus cela causera une flamme plus bleue, et aussi mener au lever de la flamme des portes du brûleur. La flamme ne peut pas apparaître jaune immédiatement, permettre 15 à 30 minutes pour la couleur de la flamme d'établir.

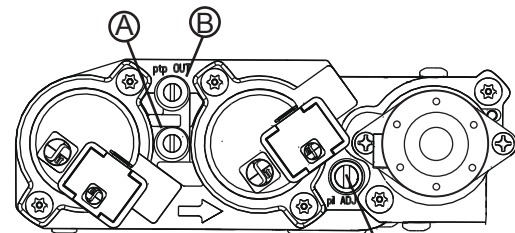
### 13.3 réglage de la veilleuse

Ajustez la vis de la veilleuse pour obtenir une flamme de taille normale. Tournez vers la droite pour réduire l'apport de gaz.

**Vérifiez la pression:**

Pour vérifier la pression d'arrivée, tournez la vis (A) vers la gauche deux à trois tours puis emboîtez le tube du manomètre sur la pointe d'essai. Le manomètre doit indiquer la pression comme décrit sur le diagramme ci-dessous. Vérifier la pression avec brûleur principal sur « HI ».

La vérification de la pression de sortie s'effectue comme ci-dessus en utilisant la vis (B). Le manomètre doit indiquer la pression comme décrit sur le diagramme ci-dessous. Vérifier la pression avec le brûleur principale sur « HI ».



**VIS DE LA VEILLEUSE**

**Après avoir pris la lecture des pressions, assurez-vous de tourner fermement les vis vers la droite pour sceller. Ne serrez pas trop fort.**

Vérifiez pour des fuites en appliquant une solution d'eau savonneuse.

Avant d'effectuer le réglage de la veilleuse, assurez-vous que l'assemblage de la veilleuse n'a pas été peint. S'il y a des traces de peinture ou de surpulpvrisation, enlevez-les de l'assemblage de la veilleuse ou remplacez-le. Une toile d'émeri ou un tampon récurage (comme Scotch-Brite™) peut être utilisé pour enlever la peinture sur la hotte de la veilleuse, sur l'électrode et sur la capteur de flamme.

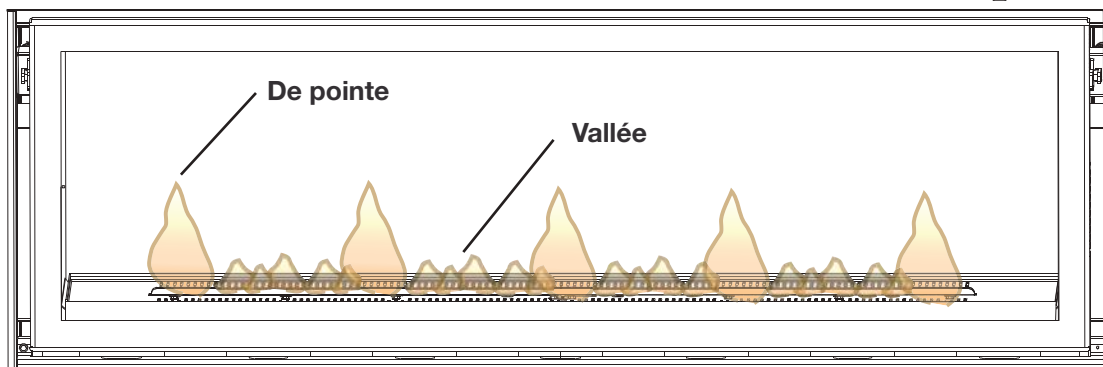
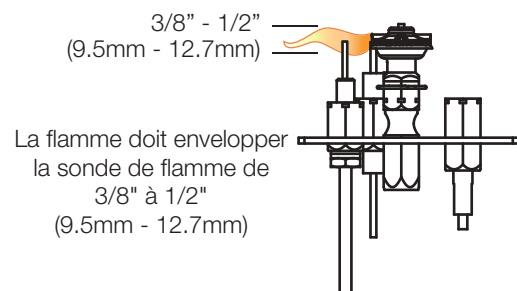
	Gaz Naturel	Propane
Min. Pression d'alimentation en gaz d'admission	4.5" w.c. (11mb)	11" w.c. (27mb)
Max. Pression d'alimentation en gaz d'admission	*13" w.c. (32mb)	13" w.c. (32mb)
Pression du collecteur (dans les conditions de flux)	3.5" w.c. (9mb)	10" w.c. (25mb)

\* Pression d'entrée maximale ne dépassant pas 13 "

### 13.4 caractéristiques de la flamme

Il est important d'effectuer périodiquement une inspection visuelle de la flamme de la veilleuse et du brûleur. Comparez-les à ces illustrations. Si des flammes paraissent anormales, contactez un technicien de service.

Si les plateaux de composants décoratif ne sont pas requis, enlevez-les et les braises vitrifiées pour la meilleure apparence du LED et de la flamme.



**LVX50-1 Illustré**

## 14.0 entretien

FR

### AVERTISSEMENT

- Coupez l'alimentation en gaz et l'alimentation électrique avant de procéder à l'entretien de l'appareil.
- L'appareil peut être chaud. Attendez qu'il soit refroidi avant d'en faire l'entretien.
- N'utilisez pas de produits abrasifs.
- Ne peignez pas l'assemblage de la veilleuse.

Cet appareil et son système d'évacuation devraient être inspectés avant la première utilisation et au moins une fois l'an par un technicien de service qualifié. Les vérifications suggérées doivent être effectuées par un technicien qualifié. L'espace entourant l'appareil doit être gardé propre et libre de matériaux combustibles, d'essence ou d'autres liquides et vapeurs inflammables. Les apports d'air comburant et d'air de connexion ne doivent pas être obstrués.

#### note:

Attention: Lors de l'entretien des contrôles, assurez-vous d'identifier chacun des fils avant de les débrancher. Une réinstallation incorrecte des fils peut occasionner un mauvais fonctionnement et être dangereuse.

1. Pour nettoyer le brûleur principal et la veilleuse adéquatement, il faut retirer les bûches, les roches ou la vitre afin de dégager les deux ensembles.
2. Gardez le compartiment des contrôles, les composants décoratifs, le brûleur, le volet d'air et l'espace entourant les bûches propres en brossant ou en passant l'aspirateur au moins une fois l'an.
3. Assurez-vous que tous les orifices des brûleurs produisent des flammes. Nettoyez tous les orifices qui n'ont pas de flamme ou dont la flamme ne brûle pas adéquatement.
4. Assurez-vous que la flamme de la veilleuse est assez puissante pour envelopper la sonde de flamme et/ou le thermocouple/thermopile et qu'elle atteigne le brûleur.
5. Si votre appareil est fourni avec une écran de protection, le nettoyage peut être nécessaire en raison d'un excès de poussière / peluches des tapis, animaux, etc. utilisez un l'attachement du brosse sur aspirateur pour nettoyer l'écran.
6. Si votre appareil est fourni avec les détendeur de portes assurez-vous que le système fonctionne efficacement. Assurez que le joint d'étanchéité n'est pas usé ou endommagé. Remplacer si nécessaire.
7. Remettez en place les bûches, les roches ou la vitre nettoyées, si équipé. Omettre de positionner les composants décoratifs adéquatement peut causer des dépôts de carbone qui peuvent se déposer à l'intérieure de la chambre de combustion et sur les surfaces extérieures entourant d'évent.
8. Vérifiez si le brûleur principal allume sur tous les orifices lorsque le bouton de contrôle du gaz est à « ON ». Un temps d'allumage total de 5 à 10 secondes est satisfaisant. Si l'allumage prend plus de temps, consultez votre revendeur agréé ou du distributeur.
9. Inspectez visuellement l'appareil pour des dépôts de carbone. À l'aide d'une balayette ou d'une brosse, enlevez le carbone et aspirez-le avec un aspirateur ou mettez-le au rebut.
10. **Cette étape n'est pas pour les appareils d'évents libres:** Vérifiez que l'appareil correctement mise à l'évent. Vérifiez que le système de cheminée est sûr et accessible. (Si pour auqu'un raison le système d'air est démonter, installez et scellé conformément aux instructions d'installation fournies).

## 14.1 entretien annuel

### ! AVERTISSEMENT

- Le caisson devient très chaud lors du fonctionnement. Laissez l'appareil se refroidir complètement ou portez des gants antichaleur avant d'effectuer l'entretien.
- Ne jamais aspirer des braises qui sont chaudes.
- Ne peignez pas l'assemblage de la veilleuse.

- Cet appareil nécessite un entretien qui devra être effectué sur une base annuelle.
- L'entretien devrait inclure un nettoyage, le remplacement des piles, une inspection du système d'évent, du brûleur, des éléments décoratifs internes et de la chambre de combustion. Consultez la section pour l'enlèvement de la porte et retirez la porte comme indiqué. Consultez la section pour l'enlèvement de l'écran de protection et retirez la porte comme indiqué.
- Enlevez soigneusement les éléments décoratifs internes s'il y a lieu (bûches, braises de verre, panneaux de brique, etc.)
- À l'aide d'un aspirateur muni d'une brosse souple, aspirez les saletés, les débris et les dépôts de carbone sur les bûches, la chambre de combustion et le brûleur. Pour les braises de verre, suivez les instructions de prénettoyage.

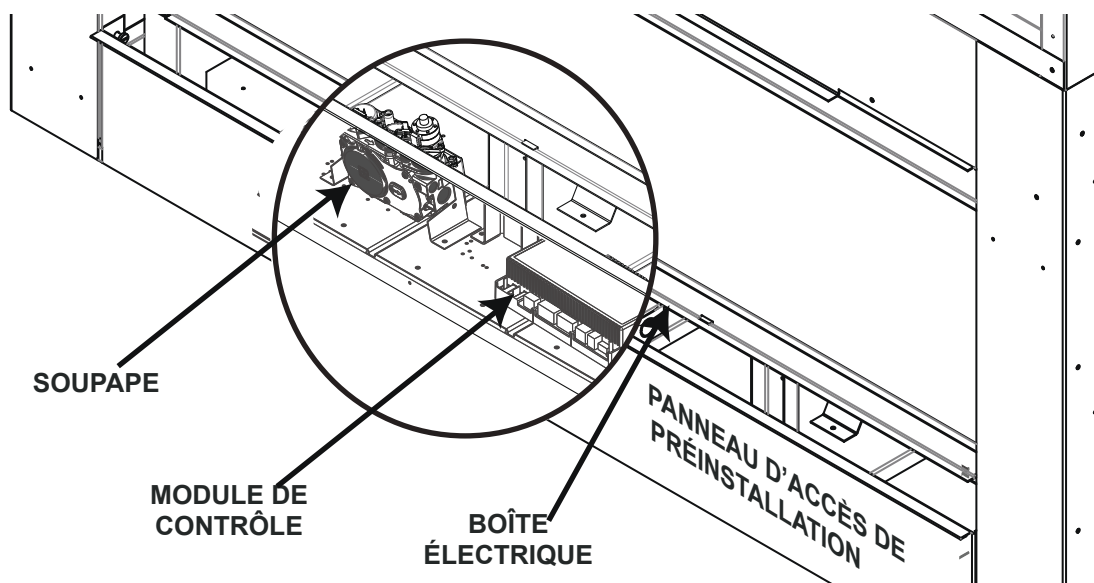
#### note:

Vous devez nettoyer le capteur de flamme à l'aide d'un morceau de laine d'acier ou un tampon récurage (Scotch-Brite<sup>MD</sup>) afin de retirer toute trace d'oxydation. Nettoyez l'assemblage du pilote à l'aide d'un aspirateur muni d'une brosse souple. Il est important de ne pas peindre l'assemblage de la veilleuse.

- Enlevez aussi tout dépôt se trouvant sur l'assemblage de la veilleuse et aussi, s'il y a lieu, sur la thermopile, le thermocouple, le capteur de flamme et l'allumeur.
- Inspectez tous les joints d'étanchéité accessibles et remplacez-les au besoin.
- Accédez à la soufflerie, s'il y a lieu, puis nettoyez à l'aide d'une brosse souple et d'un aspirateur.
- Réinstallez tous les composants dans l'ordre inverse.
- Inspectez le système de surpression. L'appareil dissipe la pression par la porte vitrée ou par les clapets sur le dessus du caisson. Assurez-vous qu'ils ouvrent sans restriction et qu'ils ferment de façon étanche. Si la vitre de la porte est fissuré, remplacer. Seulement utiliser le verre fourni par votre détaillant autorisé.
- Vérifiez si la soupape de gaz de la veilleuse et les boutons Hi / Lo bougent librement (s'il y a lieu) - remplacez si vous constatez de la rigidité dans le mouvement.
- Vérifiez tous les branchements du gaz pour des fuites de gaz, en amont et en aval de la soupape de gaz incluant les connexions du tube de la veilleuse.

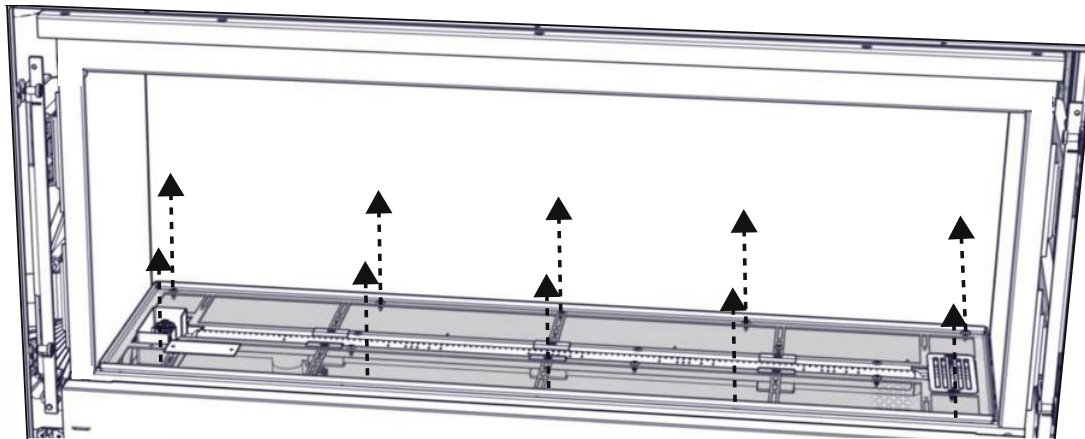
## 14.2 accès aux contrôles

L'accès aux contrôles peut être fait par l'intermédiaire du foyer après enlever l'écran de protection, la porte vitrée et la garniture de la porte.



## 14.4 enlèvement du brûleur

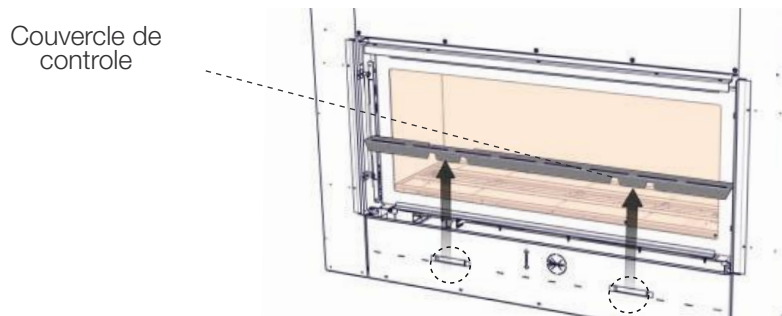
- A. Enlever le GGA-1 et la porte, référer aux sections « installation / enlèvement du système Glass Guard » et « installation / enlèvement de la porte » pour plus de détails.
- B. Enlever le couvercle de contrôle de l'appareil par glissement vers le haut et hors des pinces.
- C. Enlever les composants décoratifs de l'appareil.
- D. Retirez les vis fixant le boîtier de veilleuse. Enlever le boîtier de veilleuse.
- E. Retirez les vis servant à fixer le plateau de composants décoratifs. Soulevez l'assemblage du brûleur et retirez-le hors de l'appareil.



LVX38-1 Illustré

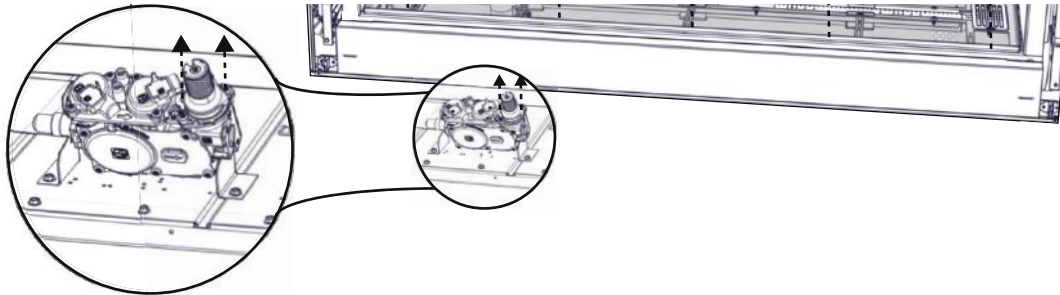
## 14.3 enlèvement de la soupape

- A. Enlever l'assemblage de l'écran de protection et la porte, référer au section « installation / enlèvement du système Glass Guard » et « installation / enlèvement de la porte » pour plus de détails.
- B. Enlever le plateau et l'assemblage du brûleur, référer la section « enlèvement du brûleur » pour plus de détails.
- C. Enlever la couvercle de la lumière de l'appareil en le faisant coulisser vers le haut hors des attaches de la couvercle de l'avant.



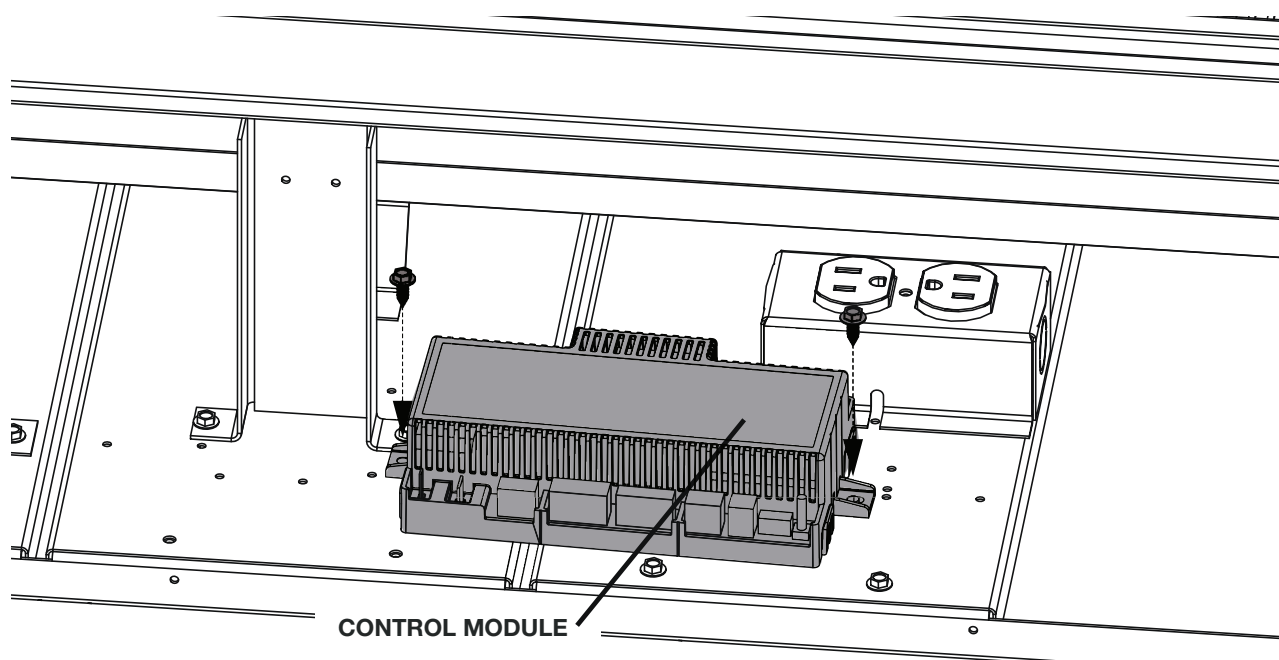


- D. Débranchez le raccord flexible de la soupape. Enlevez les fils de connexion à la soupape en les identifiant pour faciliter le rebranchement.
- E. Retirez les vis du support de la soupape et enlevez la soupape.
- F. Réinstallez toutes les composants avant de faire fonctionner l'appareil.
- G. Vérifiez pour des fuites de gaz en appliquant une solution d'eau savonneuse.



## 14.5 enlèvement du module de contrôle

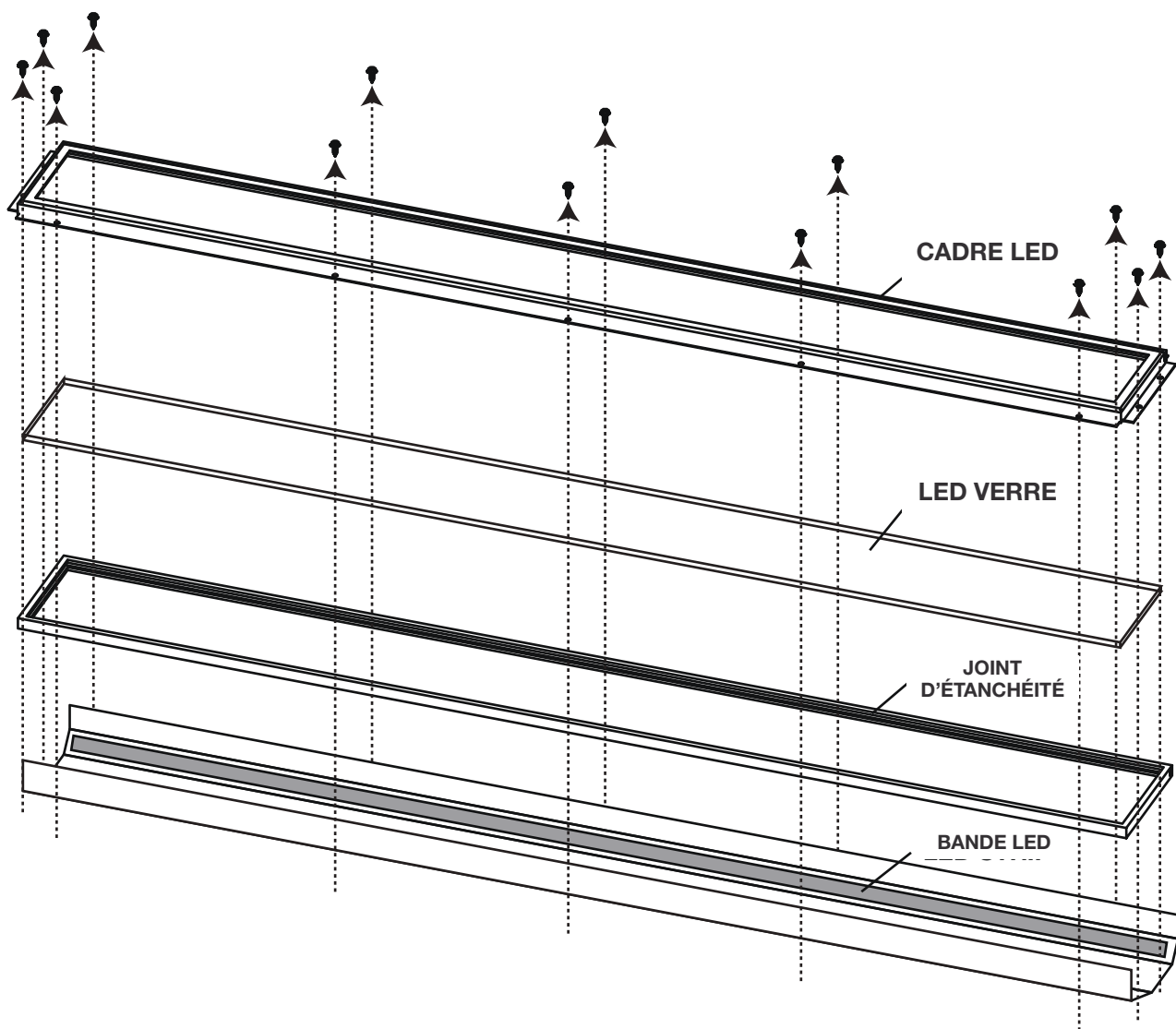
- A. Retirez le GGA-1 et la porte vitrée, référer les sections « installation / enlèvement du système Glass Guard » et « installation / enlèvement de la porte » pour plus de détails.
- B. Enlever le couvercle de contrôle de l'appareil par glissez-le par le haut et hors des pinces.
- C. Retirez les deux vis servant à fixer le module de contrôle. Débrancher et enlever.
- D. Assurez-vous d'identifier les fils branchés dans le module de commande. Il est essentiel que les fils soient reconnectés aux connecteurs appropriés.
- E. Remplacez et réinstallez les composants.



## 14.6 remplacement DEL

Cet appareil est équipé de nos lumières DEL. Si vous devez remplacer les lumières DEL, suivez les instructions suivantes.

- A. Coupez l'alimentation électrique.
- B. Retirez la barrière de protection et la porte vitrée, référer aux sections « installation / enlèvement de la barrière de protection » et « installation / enlèvement de la porte vitrée » pour plus de détails.
- C. Retirez le plateau et l'assemblage du brûleur, référer la section « enlèvement du brûleur » pour plus de détails.
- D. Débrancher la bande de DEL à partir du module de contrôle.
- E. Retirer la verre DEL en enlevant les vis fixant le cadre DEL en place, puis soulevez-le hors de l'appareil.
- F. Retirer la bande de DEL en retirant les 4 vis de fixation. Remplacer et réinstaller les composants.



LVX38-1 Illustré



## 14.7 remplacement de la vitre / porte

### ! AVERTISSEMENT

- N'utilisez pas de matériaux de substitution.
- La vitre peut être chaude, ne touchez pas la vitre jusqu'à ce qu'elle ait refroidi.
- Usez de prudence lorsque vous enlevez et jetez des débris de verrou des composants endommagés. Assurez-vous d'aspirer tous les débris de verre à l'intérieur de l'appareil avant de le faire fonctionner.
- Ne frappez pas, ne claquez pas et n'égratignez pas la porte vitrée. Ne faites pas fonctionner l'appareil lorsque la porte vitrée est enlevée, fissurée, brisée ou égratignée

Ensemble de verre/cadre de remplacement est remplacé complète telle que fournie par le fabricant de l'appareil.

## 14.8 soins de la vitre

### ! AVERTISSEMENT

- Nettoyer pas la vitre lorsqu'elle est chaude! N'employez pas de détergents abrasifs pour nettoyer la vitre.

Polissez légèrement à l'aide d'un linge propre et sec pour enlever la poussière et les traces de doigts. Nettoyez les deux côtés de la vitre avec un nettoyant sans ammoniaque après les dix premières heures de fonctionnement.

#### note:

Les nettoyants à base de vinaigre procurent habituellement une surface propre et sans traces.

Par la suite, nettoyez aussi souvent qu'il le faudra, sinon la vitre risque de rester marquée en permanence.

Ne touchez pas la surface intérieure ou extérieure de la vitre avec des lames de rasoir, de la laine d'acier ou d'autres objets métalliques puisque la mince couche de métal retirée de l'objet pourrait se déposer sur le revêtement causant une décoloration ou une égratignure. Plus important encore, cela peut rayer la surface du verre réduisant ainsi sa puissance.

Ne pas faire fonctionner l'appareil avec la vitre brisée, les fuites de gaz de combustion peut résulter.

Contactez votre détaillant local autorisé pour les instructions de nettoyage complètes.

Si la vitre devait fissurer pendant que le feu brûle, n'ouvrez pas la porte jusqu'à ce que le feu s'éteigne et n'utilisez pas l'appareil jusqu'à ce que la vitre ait été remplacée par une nouvelle, disponible chez votre détaillant autorisé. **N'UTILISEZ PAS DE MATÉRIAUX SUBSTITUTS.**

## 14.9 soins des pièces plaquées

Si l'appareil est muni de pièces plaquées, vous devez enlever toutes traces de doigts ou autres marques des surfaces plaquées avant d'allumer l'appareil pour la première fois. Utilisez les nettoyants sans ammoniaque ou à base de vinaigre. Si la surface plaquée n'est pas bien nettoyée avant le premier allumage de l'appareil, elle risque de rester marquée en permanence. Une fois que la surface plaquée aura chauffé, les traces de doigts et le gras n'affecteront plus la surface et très peu d'entretien sera requis; vous n'aurez qu'à l'essuyer au besoin. Une combustion prolongée à haute température avec la porte ouverte peut causer une décoloration des pièces plaquées.

#### note:

L'emballage de protection sur les pièces plaquées s'enlève mieux lorsque l'assemblage est à température ambiante ou lorsqu'il est chauffé (c.à.d. avec un séchoir à cheveux ou une autre source de chaleur similaire).

Cet appareil est muni d'une 5mm en verre céramique. Remplacez uniquement avec une pièce pour le foyer disponible chez votre détaillant autorisé. **N'UTILISEZ PAS DE MATÉRIAUX SUBSTITUTS.**

## 15.0 pièces de rechange

FR

### **AVERTISSEMENT**

- Omettre de positionner les pièces conformément à ce manuel ou d'utiliser uniquement des pièces spécifiquement approuvées pour cet appareil peut causer des dommages matériels ou des blessures corporelles.

Contactez votre détaillant pour les questions concernant les prix et la disponibilité des pièces de remplacement. Normalement, toutes les pièces peuvent être commandées chez votre détaillant autorisé.

**Pour un remplacement de pièce sous garantie, une photocopie de la facture originale sera requise afin de pouvoir honorer la demande.**

Lorsque vous commandez des pièces, donnez toujours l'information suivante:

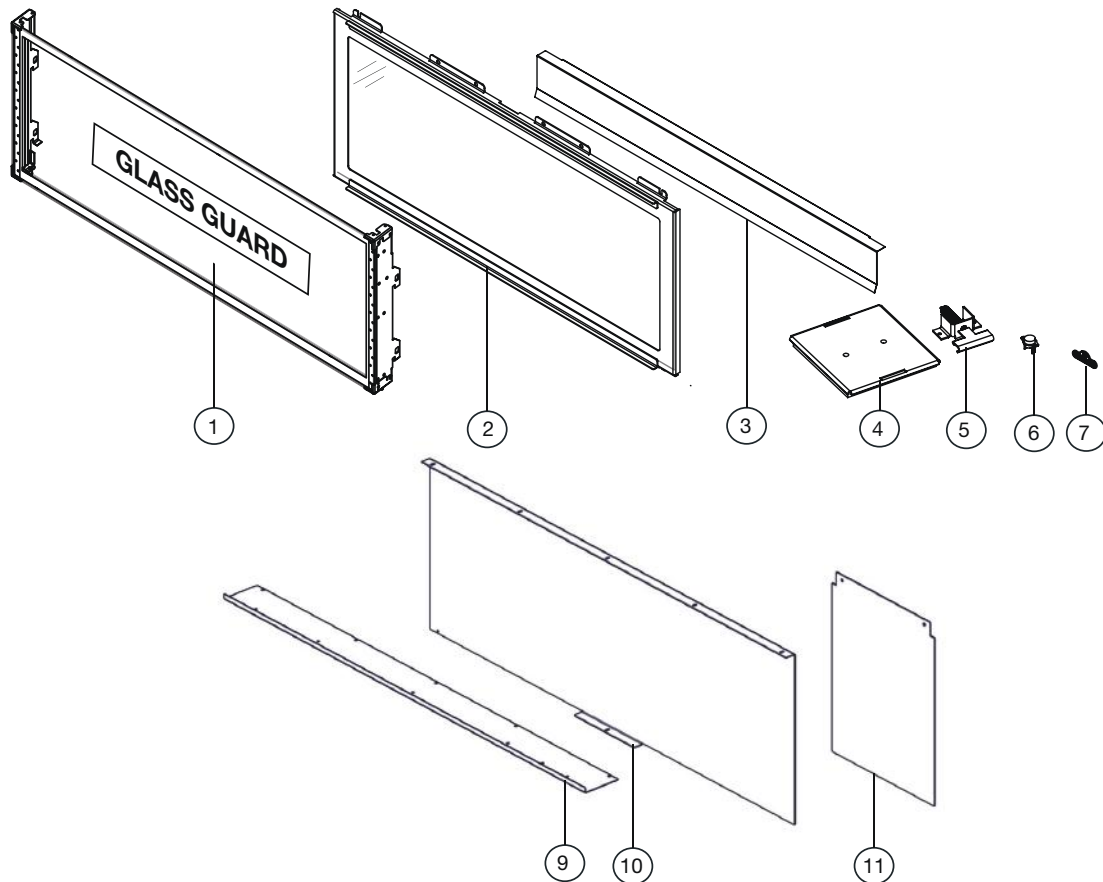
- Modèle et numéro de série de l'appareil
- Date d'installation de l'appareil
- Numéro de la pièce
- Description de la pièce
- Fini

**Pièces, numéro des pièces et s'il soit disponible peut changer sans préavis.**

**Parties identifiées comme garnie seront livrés dans 2 à 5 jours pour la plupart des destinations de livraison.**

**Pièces non identifiées que stockés seront livrés dans un délai de 2 à 4 semaines pour la plupart des cas.**

## 15.1 vue d'ensemble



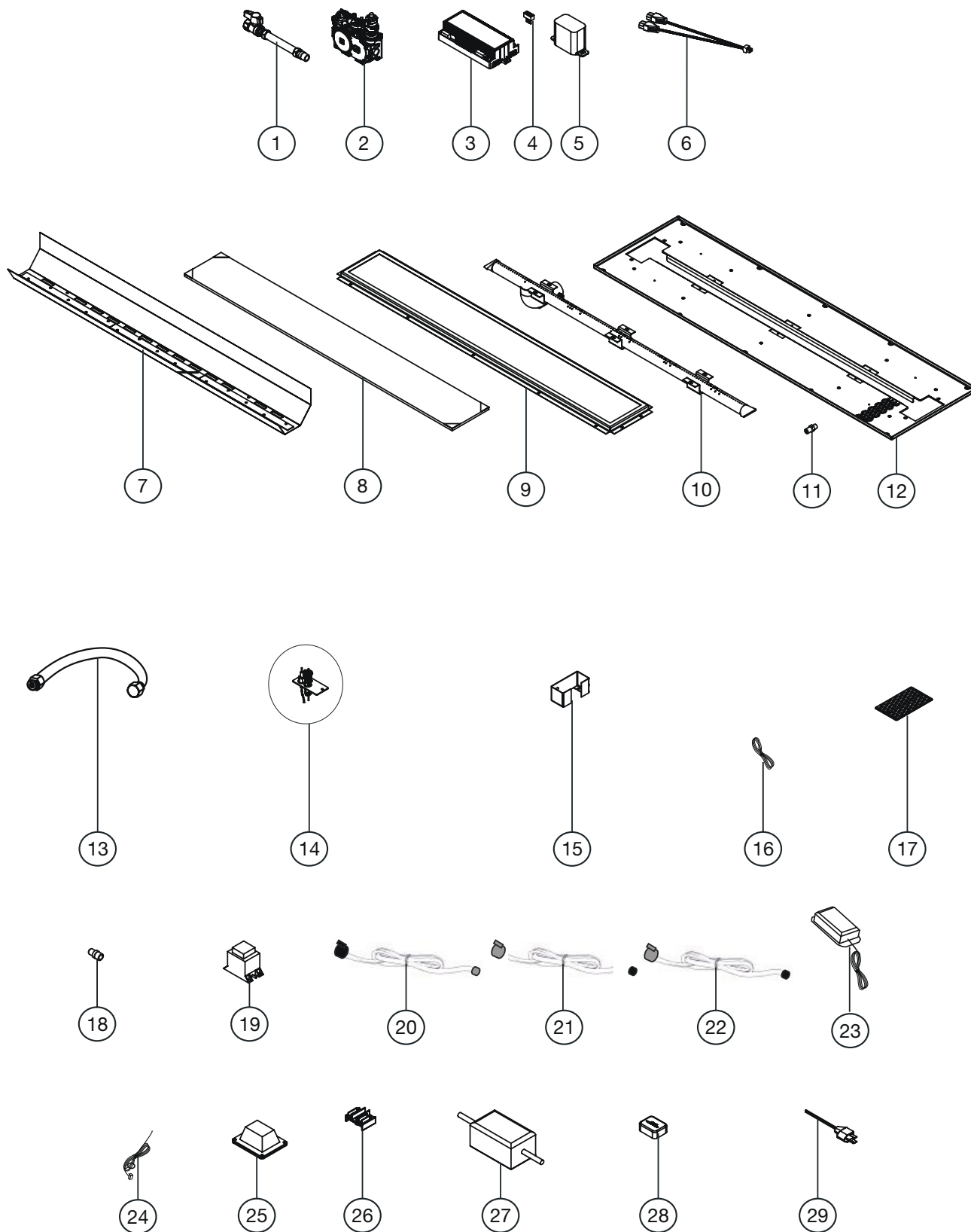
Les éléments peuvent ne pas apparaître exactement comme illustré

Réf.	Description	Numéro de pièce				En Stock
		LVX38-1	LVX50-1	LVX62-1	LVX74-1	
1	Système Glass Guard	GGA38-1	GGA50-1	GGA62-1	GGA74-1	
2	Assemblage de la porte fixé	W010-4198-SER	W010-4162-SER	W010-4202-SER	W010-4090-SER	
2	Ensemble de porte d'accès (voir-à-travers)	W010-4198-SER	W010-4162-SER	W010-4202-SER	W010-4090-SER	
3	Garniture de porte	W715-1158-SER	W715-1159-SER	W715-1162-SER	W715-1163-SER	
4	Ensemble de porte de secours	N/A	W010-1426			
5	Ensemble de loquet de porte	W010-3554				
6	Interrupteur de limite supérieure	W660-0204				
7	Logo Napoleon	W385-2010				Oui
*8	Rail thermique (avec joint d'étanchéité)	W010-4257-SER	W010-4258-SER	W010-4259-SER	W010-4260-SER	
9	Plateau (média)	W710-0104-SER	W710-0107-SER	W710-0099-SER	W710-0098-SER	
10	Panneau en Porcelaine de Fin	W475-1031-BK2GL-SER				
11	Panneau en Porcelaine (Arrière)	W475-1409-BK-2GL-SER	W475-1419-BK2GL-SER	W475-1422-BK2GL-SER	W475-1414-BK2GL-SER	
12	Loquet de coude	W390-0034				
13	Joint d'étanchéité (verre)	W290-0383-SER				

\*Pièce n'est pas illustré.

# pièces de rechange

## FR 15.2 composants du brûleur



Les éléments peuvent ne pas apparaître exactement comme illustré

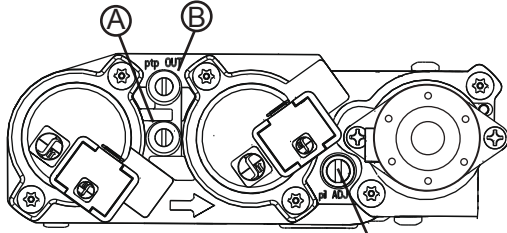
Réf. N°.	Description	No. de pièce				En Stock
		LVX38-1	LVX50-1	LVX62-1	LVX74-1	
1	Connecteur Flex (c / w Éteindre)	W175-0217				Oui
2	Soupape (NG)	W725-0056				Oui
2	Soupape (P)	W725-0057				Oui
3	Tableau de contrôle	W190-0177				Oui
4	Harnais de câblage de la carte de contrôle	W750-0276				Oui
5	Boîtier de batterie	W350-0655				Oui
6	Cordon de cochon léger	W750-0358				Oui
7	Assemblage du lumière DEL	W010-3661-SER	W010-3652-SER	W010-4079-SER	W010-4078-SER	
8	Ensemble de Verre DEL	W010-3752-SER	W010-3714-SER	W010-4071-SER	W010-4070-SER	
9	Couverture DEL	W200-0543-SER	W200-0499-SER	W200-0653-SER	W200-0652-SER	
10	Ensemble brûleur (NG)	W100-0225-SER	W100-0224-SER	W100-0221-SER	W100-0226-SER	
	Ensemble brûleur (P)	W100-0232	W100-0234	W100-0233	W100-0269	
11	Injecteur du brûleur (NG)	W456-0037	W456-0033	W455-0144	W455-0141	Oui
	Injecteur du brûleur (P)	W456-0053	W456-0052	W456-0051	W456-0049	
12	Ensemble bac à papier	W010-4140-SER	W010-4139-SER	W010-4136-SER	W010-4138-SER	
13	Collecteur (flexible)	W432-0533				
14	Assemblée pilote (NG)	W010-2763				Oui
	Assemblée pilote (P)	W010-2808				Oui
15	Logement pilote	W350-0800-SER				
16	Fil Thermostat	W750-0276				Oui
17	Ensemble de couverture de support	W010-4211-SER				
18	Connecteur Flex (c/w Raccords)	W445-0038				Oui
19	Transformateur	W707-0019				Oui
20	Fil DEL (Rouge)	W750-0432		W750-0433		
21	Fil DEL (Blanc)	W750-0430	W750-0401	W750-0430	W750-0401	
22	Harnais de fils auxiliaire (DEL)	W750-0434				
23	Contrôle DEL	W190-0125				
24	Harnais de câblage Bluetooth	W750-0435				
25	Lumière d'accent	W405-0049-SER				Oui
26	Terminaison	N/A		W060-0008		Oui
27	Transformateur	W707-0019		W707-0027		Oui
28	Module Bluetooth	W190-0090				Oui
29	Cordon d'alimentation	W750-0294				

# 16.0 guide de dépannage

FR

## ! AVERTISSEMENT

- Allumez toujours la veilleuse, que ce soit pour la première fois ou lorsque l’approvisionnement en gaz est épuisé, avec la porte vitrée ouverte ou retirée.
- Coupez l’alimentation en gaz et l’alimentation électrique avant de procéder à l’entretien de l’appareil.
- L’appareil peut être chaud. N’effectuez aucun entretien jusqu’à ce que l’appareil soit refroidi.
- N’utilisez pas de nettoyeurs abrasifs

symptôme	problème	solution
La flamme du brûleur principal est bleue, paresseuse et transparente  (Ce n’est pas applicable dans les appareils d’extérieur)	Système d’évacuation bloqué.  Installation incorrecte.	- Enlevez ce qui obstrue. Dans des conditions de froid extrême, une accumulation de glace peut se former sur la terminaison et devrait être enlevée lorsque nécessaire. (Pour minimiser les chances que cela survienne de nouveau, il est recommandé que les événements qui passent à travers des espaces non chauffés [greniers, garages, espaces réduits] soient recouverts d’un manchon isolant en mylar).  - Voir la section « évacuation » pour vérifier le bon emplacement des collets de solin.
Les flammes sont régulièrement trop grandes ou trop petites. Il se produit des dépôts de carbone.	La pression du gaz est trop faible ou trop forte.	- <b>Vérifiez la pression:</b> Pour vérifier la pression d’arrivée, tournez 2 ou 3 fois la vis (A) vers la gauche, puis emboîtez le tube du manomètre sur la pointe d’essai. Le manomètre doit indiquer la pression comme décrit sur le diagramme ci-dessous. Assurez-vous que le brûleur principal fonctionne à « HI ». La pression de sortie peut être vérifiée de la même façon en utilisant la vis (B). Le manomètre doit indiquer la pression comme décrit sur le diagramme ci-dessous. Assurez-vous que le brûleur principal fonctionne à « HI ». <b>Après avoir pris la lecture des pressions, assurez-vous de tourner fermement les vis vers la droite pour sceller. NE SERREZ PAS TROP FORT.</b> Vérifiez pour des fuites en appliquant une solution d’eau savonneuse.
 <p><b>VIS DE LA VEILLEUSE</b></p>		
Du carbone se dépose sur la vitre, les bûches, les roches, les composants décoratifs ou les parois de la chambre de combustion.	Le volet d’air est bloqué.  Le flamme effleure la vitre, les bûches, les roches, les composants décoratifs ou les parois de la chambre de combustion.	- Assurez-vous que l’ouverture du volet d’air n’est pas bloquée par des fibres ou autres obstructions.  - Vérifiez si les composants décoratifs sont positionnés correctement. - Augmentez l’ouverture du volet d’air pour augmenter le volume d’air primaire. - Vérifiez le débit d’alimentation: vérifiez que la pression du collecteur et la grandeur de l’injecteur soient telles que spécifiées sur la plaque d’homologation. - Vérifiez si les joints d’étanchéité de la porte ne sont pas brisés ni manquants et qu’ils sont étanches. - Vérifiez que les deux conduits d’évent ne soient pas troués et qu’ils soient bien scellés à tous les joints. - Vérifiez si l’élévation minimale par pied (mètre) est conforme pour toute évacuation horizontale.
Une pellicule blanche ou grise se forme.	Le soufre du combustible se dépose sur la vitre, les bûches ou les parois de la chambre de combustion.	- Nettoyez la vitre avec un nettoyeur recommandé. <b>NETTOYER PAS LORSQU’ELLE EST CHAUDE.</b> - Si vous nettoyez pas les dépôts régulièrement, la vitre risque de rester marquée en permanence.
On détecte l’odeur des gaz de combustion dans la pièce, maux de tête.	L’appareil refoule les gaz de combustion dans la pièce. (Ce n’est pas applicable dans les appareils d’extérieur).	- Vérifiez tous les joints scellés de la porte. - Vérifiez si la cheminée ne serait pas bloquée. - Vérifiez que les conduits d’évents sont installés correctement. - La pièce est sous pression négative; augmentez l’apport d’air frais.

symptôme	problème	solution
La veilleuse ne s'allume pas. Il y a du bruit mais aucune étincelle au brûleur de la veilleuse.	Câblage: pénurie, connexion desserrée (rectification de la flamme pauvres).	<ul style="list-style-type: none"> <li>- Vérifiez qu'il n'y a pas de connexions desserrées du thermocouple ni sonde de flamme.</li> <li>- Vérifiez l'interrupteur de bloc n'est pas endommagée ou trop serré. Vérifiez si les connexions de l'assemblage de la veilleuse sont serrées; vérifiez aussi si ces connexions ne causent pas de mise à la terre au niveau du métal. (Souvenez-vous que la flamme transporte le courant redresseur et non le gaz. Si la flamme se détache de la hotte, le circuit est rompu. Un mauvais injecteur ou une pression d'arrivée trop élevée peut causer la flamme de la veilleuse à se détacher)*. La tige de la sonde a possiblement besoin d'être nettoyée.</li> </ul>
	Aucun signal du télécommande avec ignition du veilleuse.	<ul style="list-style-type: none"> <li>- Reprogrammer le code du récepteur.</li> <li>- Remplacer le récepteur.</li> </ul>
	Connexion desserrée.	<ul style="list-style-type: none"> <li>- Vérifiez qu'il n'y ait pas de connexions desserrées de courts-circuits dans le filage du soupape ni de l'assemblage de la veilleuse.</li> </ul>
	Filage d'interrupteur inapproprié.	<ul style="list-style-type: none"> <li>- Réparez le système avec un simple interrupteur <b>marche/arrêt</b>.</li> </ul>
	Composants de veilleuse sale, peint ou endommagée.	<ul style="list-style-type: none"> <li>- Nettoyez la tige de la sonde avec une toile d'émeri (Scotch-Brite™) afin d'enlever toute contamination qui ait pu s'accumuler sur la tige de la sonde. Vérifiez la continuité avec un multimètre réglé sur Ohms au calibre le plus bas.</li> </ul>
Étincelle à la veilleuse mais celle-ci ne s'allume pas.	Alimentation en gaz.	<ul style="list-style-type: none"> <li>- Vérifiez si la soupape à bille du conduite d'arrivée du gaz est « ouverte ».</li> <li>- Vérifiez si la pression d'arrivée est dans les limites acceptables. La pression d'arrivée ne doit pas excéder 13" de colonne d'eau (32,4mb).</li> </ul>
	Plus de propane.	<ul style="list-style-type: none"> <li>- Remplissez le réservoir.</li> </ul>
	La ligne d'alimentation de la veilleuse peut contenir l'air.	<ul style="list-style-type: none"> <li>- Répétez le processus d'étincelles plusieurs fois ou purger la conduite d'alimentation de la veilleuse.</li> </ul>
	Le module n'est pas mis à la terre.	<ul style="list-style-type: none"> <li>- Assurez le bon polarité du thermocouple (si fourni).</li> <li>- Vérifiez si les assemblages de la veilleuse et de la soupape sont bien mis à la terre.</li> </ul>
	Récepteur (si équipé).	<ul style="list-style-type: none"> <li>- Réinitialisez la programme: tenir le bouton de réinitialiser sur le récepteur attendre pour 2 bips. Relâcher le bouton après la deuxième bip. Pendant 20 secondes, appuyez sur le bouton de la télécommande accompagné d'une petite flamme, vous entendrez une bip additionnelle (cela confirmant que le code est réglé).</li> <li>- Remplacez le récepteur.</li> </ul>
	Soupape.	<ul style="list-style-type: none"> <li>- Vérifiez le soupape et remplacer si nécessaire (attention à ne pas trop serrer le thermocouple).</li> </ul>
Continue de produire des étincelles et la veilleuse s'allume mais le brûleur principal ne s'allume pas.	Court-circuit ou connexion desserrée dans la tige de la sonde.	<ul style="list-style-type: none"> <li>- Vérifiez toutes connexions. Vérifiez si les connexions de l'assemblage de la veilleuse sont serrées; vérifiez aussi si ces connexions ne causent pas de mise à la terre au niveau du métal.</li> </ul>
	Composants de veilleuse sale, peint ou endommagée.	<ul style="list-style-type: none"> <li>- Nettoyez la tige de la sonde avec une toile d'émeri (Scotch-Brite™) afin d'enlever toute contamination qui ait pu s'accumuler sur la tige de la sonde. Vérifiez la continuité avec un multimètre réglé sur Ohms au calibre le plus bas.</li> </ul>
Interrupteur mural est en position « <b>off</b> »; la brûleur s'allume.	L'interrupteur mural est monté à l'envers.	<ul style="list-style-type: none"> <li>- Inverse.</li> </ul>
	Interrupteur mural et/ou le fil est relié à la terre.	<ul style="list-style-type: none"> <li>- Remplacer.</li> <li>- Vérifier la masse (court); réparer ou remplacer les fils.</li> </ul>
	Câble défectueux.	<ul style="list-style-type: none"> <li>- Remplacer.</li> </ul>
Le télécommande ne fonctionne pas correctement.	La télécommande s'allume mais aucune étincelle ou flamme. (La télécommande est verrouillé).	<ul style="list-style-type: none"> <li>- Réinitialiser en tournant l'alimentation « off » puis « on ».</li> </ul> <div style="border: 1px solid black; padding: 5px; margin-top: 10px;"> <p><b>note:</b> Si les piles de sauvegarde sont installés, ils doivent être enlevées pour programmer le télécommande.</p> </div>
	Les piles du récepteur ou télécommande sont faibles.	<ul style="list-style-type: none"> <li>- Remplacez les piles.</li> </ul>
	Erreur de synchronisation.	<ul style="list-style-type: none"> <li>- Réinitialiser le télécommande et le récepteur.</li> </ul>
	Le télécommande est trop loin du récepteur.	<ul style="list-style-type: none"> <li>- Voir la section « schéma de câblage ».</li> </ul>
	Les broches de connecteur de fils sont courbés.	<ul style="list-style-type: none"> <li>- Redresser les fils.</li> </ul>
	Câblage de la soupape est endommagée	<ul style="list-style-type: none"> <li>- Remplacez la soupape.</li> </ul>

# guide de dépannage

FR

symptôme	problème	solution
Moteur tourne, les bips fréquent se produit.	Les piles du récepteur sont faibles.	- Remplacez les piles.
Lumières ou la soufflerie ne fonctionnent pas (si équipé).	L'interrupteur de contrôle est à la mauvaise position.	- Vérifiez que l'interrupteur « on/off » est en position « I », ce qui indique le fonctionnement.
	L'interrupteur « COM » est débranché.	- Vérifiez que l'interrupteur « COM » est branché à l'avant du module de contrôle.
Les flammes sont très actives.	La porte est ouvert.	- Assurez-vous que la porte est bien fermée.
	Forte action de ventilation.	- Assurez-vous que l'évacuation est adéquatement scellée ou étranglez la sortie de l'évacuation avec la plaque de restriction. (La plaque de restriction n'est pas disponible pour toutes modèles).
L'appareil n'effectue aucune fonction.	Pas de puissance au système.	- Vérifiez que le disjoncteur est dans la position « on » position.
	L'interrupteur du récepteur est à la mauvaise position (si équipé).	- Vérifiez que le récepteur est dans la position « milieu ».
	La télécommande ne fonctionne pas.	- Vérifiez les pile ainsi que leur orientation.

symptôme	problème	solution
----------	----------	----------

## Le guide suivant est pour le système de SIT seulement:

La veilleuse ne s'allume pas. Aucun bruit et aucune étincelle au brûleur de la veilleuse. (Les lumières et la soufflerie fonctionnent, si équipé).	La boîte d'allumage a été verrouillée.	<p>Choisissez l'une des trois méthodes suivantes pour réinitialiser le système:</p> <ol style="list-style-type: none"> <li>1. Pour réinitialiser la boîte d'allumage lorsqu'elle a été verrouillée, coupez l'alimentation électrique et retirez les piles (s'il y a lieu) du récepteur.</li> <li>2. Pour réinitialiser le tableau DFC lorsque celui-ci se trouve en mode verrouillé et que la DEL se clignote trois fois à l'aide du bouton <b>marche/arrêt</b> de l'émetteur: <ul style="list-style-type: none"> <li><b>Étape 1:</b> Éteignez le système en appuyant sur le bouton <b>marche/arrêt</b>.</li> <li><b>Étape 2:</b> Après environ 2 secondes, appuyez de nouveau sur le bouton <b>marche/arrêt</b> de la télécommande. Le tableau se réinitialisera et la séquence d'allumage s'enclenchera de nouveau.</li> </ul> </li> <li>3. Pour réinitialiser le tableau lorsque celui-ci se trouve en mode verrouillé et que la DEL clignote trois fois à l'aide du cycle de flamme: <ul style="list-style-type: none"> <li><b>Étape 1:</b> En mode de contrôle manuel de la flamme, utilisez la flèche vers le bas pour éteindre la flamme, une situation indiquée par le mot « <b>off</b> » affiché à l'écran de la télécommande.</li> <li><b>Étape 2:</b> Attendez environ 2 secondes et appuyez sur la flèche vers le haut; la séquence d'allumage se déclenchera.</li> </ul> </li> </ol>
--	--	---

### note:

En position « **off** », appuyez sur le bouton « **on** » de la télécommande. Environ 4 secondes après que le bouton « **on/off** » ait été enfoncé, le tableau d'allumage commencera à produire des étincelles. Au premier essai, le tableau d'allumage formera des étincelles pendant 60 secondes. S'il n'y a pas de correction de flamme, le tableau cessera de former des étincelles et le tableau se verrouillera.



Les produits **Napoléon** sont fabriqués conformément aux normes strictes du Système de Gestion de la Qualité mondialement reconnu ISO 9001 : 2015.

Les produits **Napoléon** sont conçus avec des composants et des matériaux de qualité supérieure, assemblés par des artisans qualifiés qui sont fiers de leur travail. Le brûleur et le montage de la soupape subissent un test de détection de fuite et d'allumage à une station de test de qualité. Une fois assemblé, chaque appareil est soigneusement inspecté par un technicien qualifié avant d'être emballé pour garantie que vous, le client, recevez le produit de qualité dont vous vous attendez de

**Napoléon.**

### Garantie à Vie Limité du Président des Appareils au Gaz Napoléon

Les matériaux suivants et la fabrication de votre nouveau appareil au gaz **Napoléon** sont garantis contre les défauts tant que vous en êtes le propriétaire. Ceci couvre: la chambre de combustion, l'échangeur de chaleur, le brûleur en acier / inoxydable, les bûches Phazer™ et les braises, les roches, la vitre en céramique (cassure thermique seulement), les pièces plaquées ou contre le ternissement, les composants en porcelaine émaillée et les moules d'extrusion en aluminium.\*

Les composants électriques (1 10V et millivolt) et les pièces soumises à l'usure sont couverts et **Napoléon** fournira gratuitement les pièces de rechange durant la première année de la garantie limitée. Ceci couvre: la soufflerie, les soupapes de gaz, l'interrupteur thermique, les interrupteurs, l'installation électrique, les télécommandes, l'allumeur, les joints d'étanchéité et l'assemblage de la veilleuse.\*

Les coûts de main-d'oeuvre relatifs aux réparations garanties sont couverts gratuitement durant la première année. (Les coûts de main-d'oeuvre n'est pas disponible pour l'ensemble de bûches à gaz). Cepedenant, les travaux de réparation nécessitent l'approbation préalable d'un représentant autorisé de la compagnie. Les coûts de main-d'oeuvre à la charge de **Napoléon** sont basés sur un programme de tarifs prédéterminé et tout travail de réparation doit être accompli par l'entremise d'un représentant autorisé **Napoléon**.

\* La fabrication de chaque modèle varie. La garantie s'applique uniquement aux composants disponibles avec votre appareil.

### Conditions et Limitations

**Napoléon** garantit ses produits contre les défauts de fabrication à l'acheteur d'origine seulement. L'enregistrement de la garantie n'est pas nécessaire. Fournissez simplement une preuve d'achat ainsi que la modèle et le numéro de série afin d'effectuer une réclamation de garantie.

**Napoléon** se réserve le droit de demander à son représentant d'inspecter tous produits ou pièces avant d'honorer toute réclamation. L'achat doit avoir été fait par l'entremise d'un détaillant **Napoléon** autorisé et sous réserve des conditions et limitations suivantes:

La couverture de la garantie débute à partir de la date d'installation originale. Cette garantie du fabricant n'est pas transférable et ne peut être prolongée par aucun de nos représentants. L'appareil au gaz doit être installé par un installateur autorisée qualifié, une agence de service ou fournisseur. L'installation doit être faite conformément aux instructions d'installation incluses avec le produit et à tous les codes d'incendie et de construction locaux et nationaux. Cette garantie limitée ne couvre pas les dommages causés par un mauvais usage, un manque d'entretien, un accident, des altérations, des abus ou de la négligence et l'installation de pièces d'autres fabricants annulera cette garantie. Cette garantie limitée ne couvre pas non plus les égratignures, les bossellements, la corrosion ou la décoloration causés par une chaleur excessive, des produits d'entretien chimiques et abrasifs ou l'écaillage des pièces en porcelaine émaillée, le bris par manipulation des bûches PHAZER™ et des braises.

Cette garantie s'étend à la réparation ou au remplacement des pièces garanties dont les matériaux ou la fabrication sont défectueux à la condition que le produit ait été utilisé conformément aux instructions de fonctionnement et dans des conditions normales. Après la première année, concernant cette Garantie à Vie Limitée du Président, **Napoléon** peut, à sa discrétion, se libérer entièrement de toutes obligations en ce qui concerne cette garantie en remboursant à l'acheteur d'origine le prix de gros de toute pièce garantie qui est défectueuse.

Après la première année, **Napoléon** ne sera pas responsable de l'installation, de la main-d'oeuvre ou autres dépenses relatives à la réinstallation d'une pièce garantie et de telles dépenses ne sont pas couvertes par cette garantie.

Nonobstant toutes les dispositions contenues dans cette Garantie à Vie Limitée du Président, la responsabilité de **Napoléon** sous cette garantie est définie comme ci-dessus et elle ne s'appliquera à aucun dommage accidentel, consécutif ou indirect. Cette garantie définit l'obligation et la responsabilité de **Napoléon** en ce qui concerne l'appareil au gaz **Napoléon** et toute autre garantie énoncée ou implicite en ce qui concerne ce produit, ses composants ou accessoires est exclue.

**Napoléon** n'endosse ni n'autorise aucun tiers à assumer en son nom, toute autre responsabilité concernant la vente de ce produit.

**Napoléon** ne sera pas responsable d'une surchauffe, des refoulements, des déversements causés par des conditions environnementales telles que des toits, des bâtiments, la proximité d'arbres, de collines, de montagnes, une ventilation ou des événements inadéquats, une configuration d'évacuation excessive, un apport d'air insuffisant ou des pressions négatives qui peuvent ou non être causés par des systèmes mécaniques tels que les ventilateurs d'évacuation, les fournaies, les sècheuses de linge, etc. Tout dommage causé à l'appareil, à la chambre de combustion, à l'échangeur de chaleur, aux garnitures plaquées ou autres composants par l'eau, les dommages causés par les intempéries, de longues périodes d'humidité, la condensation, des produits chimiques ou produits d'entretien nuisibles ne seront pas la responsabilité de **Napoléon**.

Durant les dix premières années, **Napoléon** remplacera ou réparera les pièces défectueuses qui sont couvertes par la garantie à vie limitée à sa discrétion gratuitement. Après les dix premières années, **Napoléon** fournira les pièces de rechange à 50% du prix de détail courant. Le fabricant peut exiger que les pièces défectueuses ou les produits soient retournés ou que des photos numériques soient fournies pour valider la réclamation.

Les produits retournés doivent être expédiés port payé au fabricant pour une inspection en usine. Si un produit est déclaré défectueux, le fabricant le réparera ou le remplacera. Avant d'expédier votre appareil ou les pièces défectueuses, votre détaillant doit obtenir un numéro d'autorisation.

Toute marchandise expédiée à notre usine sans autorisation sera refusée et retournée à l'expéditeur.

Les coûts d'expédition ne sont pas couverts par cette garantie.

Des frais de service supplémentaires peuvent être appliqués si vous cherchez à obtenir des services au titre de la garantie auprès d'un détaillant.

Les indemnités de main-d'oeuvre au titre de la garantie s'appliquent uniquement pour le remplacement d'une pièce garantie.

Les frais de déplacement, de tests de diagnostic, d'expédition et autres frais afférents ne sont pas couverts par cette garantie.

Toutes les spécifications et les conceptions sont sujettes à modifications sans préavis en raison des améliorations constantes apportées au produit. **Napoléon** est une marque de commerce déposée de Wolf Steel Ltée.

# NAPOLÉON CÉLÈBRE PLUS DE 40 ANS D'EXISTENCE CONSACRÉS À LA CONCEPTION DE PRODUITS DE CONFORT



7200, Route Transcanadienne, Montréal, Québec H4T 1A3  
24 Napoleon Road, Barrie, Ontario, Canada L4M 0G8  
214 Bayview Drive, Barrie, Ontario, Canada L4N 4Y8  
103 Miller Drive, Crittenden, Kentucky, USA 41030

Téléphone: 1-866-820-8686  
[napoleon.com](http://napoleon.com)